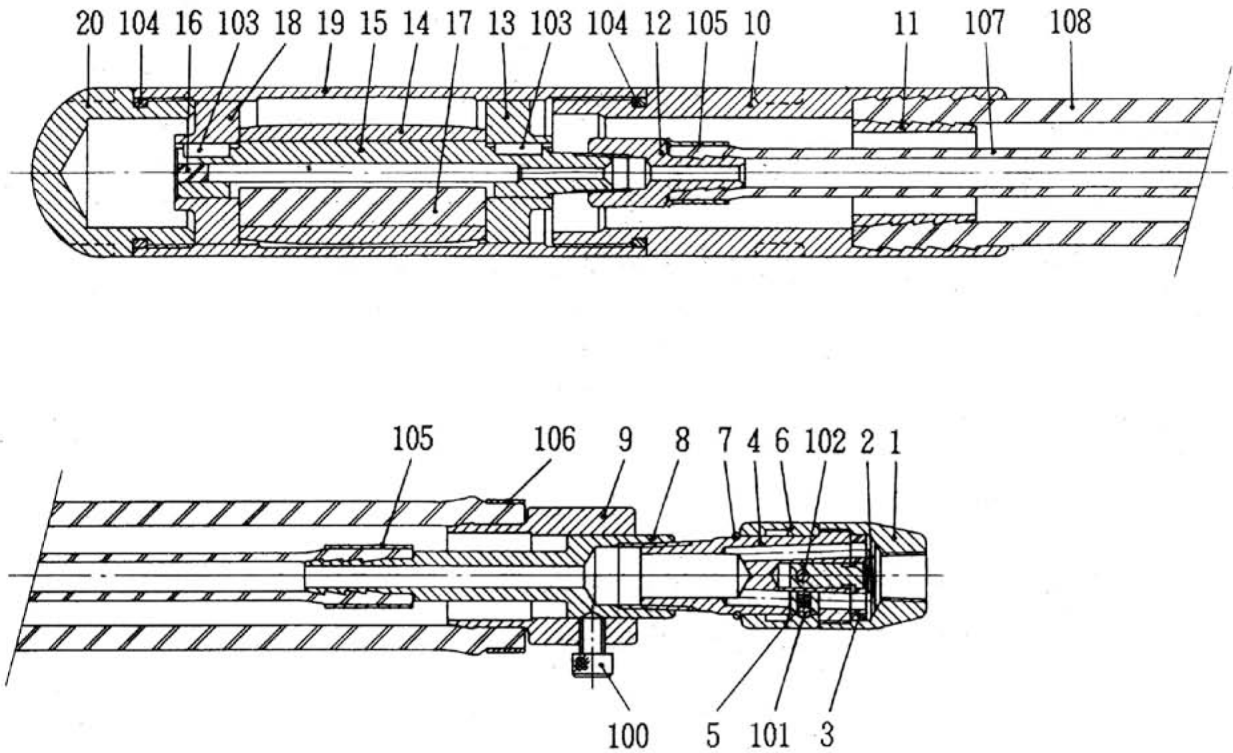




**MICHIGAN PNEUMATIC TOOL, INC.**

**NRV-30 Concrete Vibrator**



Index	Part No.	Description	Qty.
1	D09000H020	Inlet Bushing	1
2	D09000B210	Throttle Spring	1
3	F22000H300	Throttle Valve	1
4	F22000H290	Throttle Arbor	1
5	F22000H290	Stopper Ball Spring	1
6	F22000H150	Grip	1
7	F22000H160	Grip Ring	1
8	V31A00H350	Throttle Adaptor	1
9	V31A00E010	Exhaust Sleeve	1
10	V31A00Y790	Housing	1

Index	Part No.	Description	Qty.
11	V31A00E120	Exhaust Hose Lock Bushing	1
12	V31A00H050	Air Connector	1
13	V31A00R300	Top Plate	1
14	V31A00R720	Rotor	1
15	V31A00R780	Rotor Spindle	1
16	V31A00S290	Spindle Bushing	1
17	V31A00R500	Vane	1
18	V31A00R510	Bottom Plate	1
19	V31A00R200	Cylinder	1
20	V31A00S170	Cone Nut	1
100	1050108012	Hex Socket Cap Screw	1
101	2800110125	Steel Ball	1
102	3010040180	Parallel Pin	1
103	3102040415	Key	2
104	4154100450	O-Ring	2
105	9070602000	Hose Band	2
106	9070104700	Punch Band	1
107	9201130010	Air Hose	1
108	9201182012	Air Hose	1