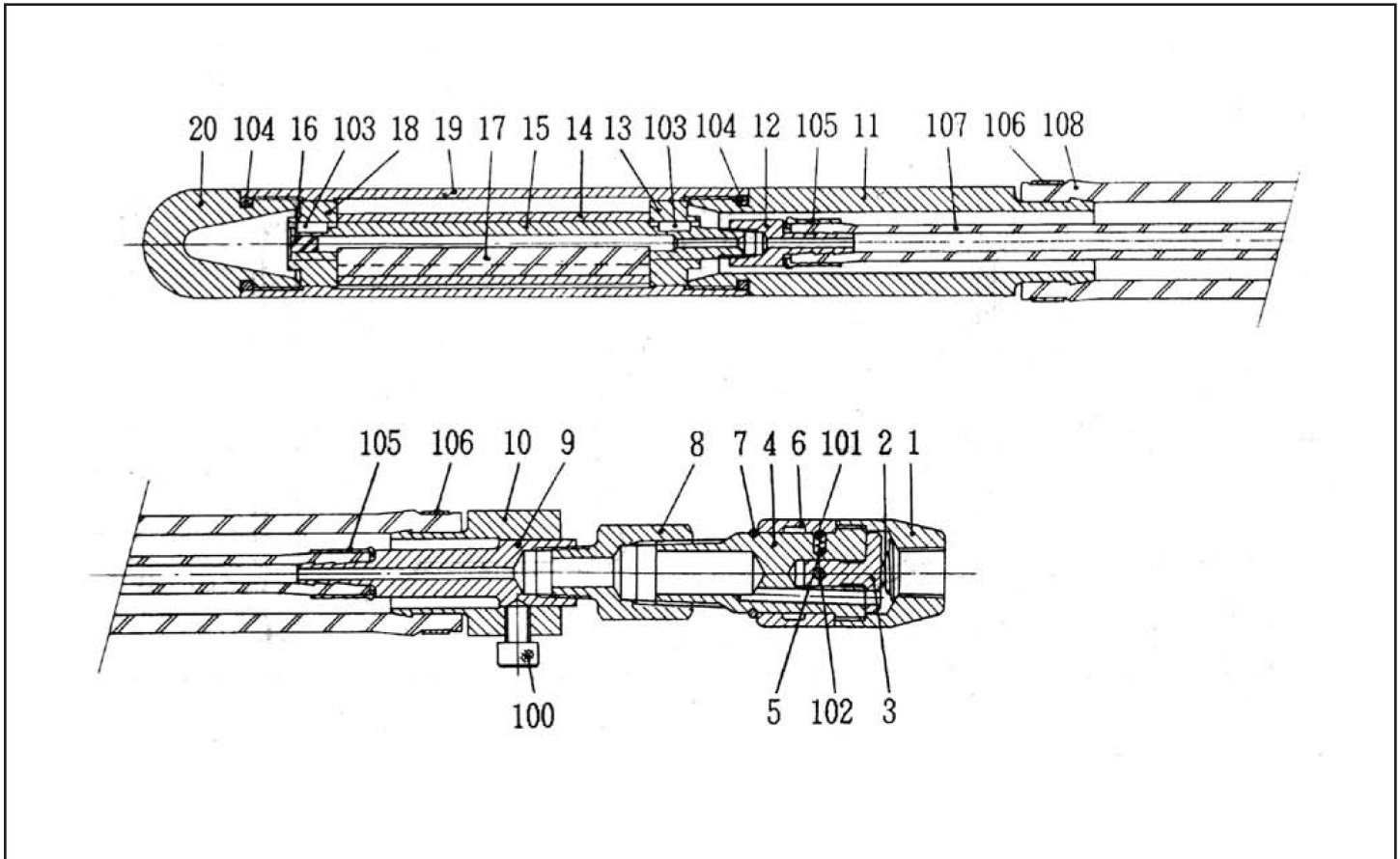




MICHIGAN PNEUMATIC TOOL, INC.

NRV-11 Concrete Vibrator



Index	Part No.	Description	Qty.
1	D09000H020	Inlet Bushing	1
2	D09000B210	Throttle Spring	1
3	F22000H300	Throttle Valve	1
4	F22000H290	Throttle Arbor	1
5	G53010B240	Stopper Ball Spring	1
6	F22000H150	Grip	1
7	F22000H160	Grip Ring	1
8	V30A00Z240	Joint	1
9	V30A00H350	Throttle Adaptor	1
10	V30A00E010	Exhaust Sleeve	1
11	V30A00Y790	Housing	1
12	V30A00H050	Air Connector	1
13	V30A00R300	Top Plate	1
14	V30A00R720	Rotor	1
15	V30A00R780	Rotor Spindle	1

Index	Part No.	Description	Qty.
16	V30A00S290	Spindle Bushing	1
17	V30A00R500	Vane	1
18	V30A00R510	Bottom Plate	1
19	V30A00R200	Cylinder	1
20	V30A00S170	Cone Nut	1
100	1050108012	Hex Socket Cap Screw	1
101	2800110125	Steel Ball	1
102	3010040180	Parallel Pin	1
103	3102030310	Key	2
104	4154100260	O-Ring	2
105	9070601500	Hose Band	2
106	9070104000	Punch Band	2
107	9201120009	Air Hose	1
108	9201180011	Air Hose	1