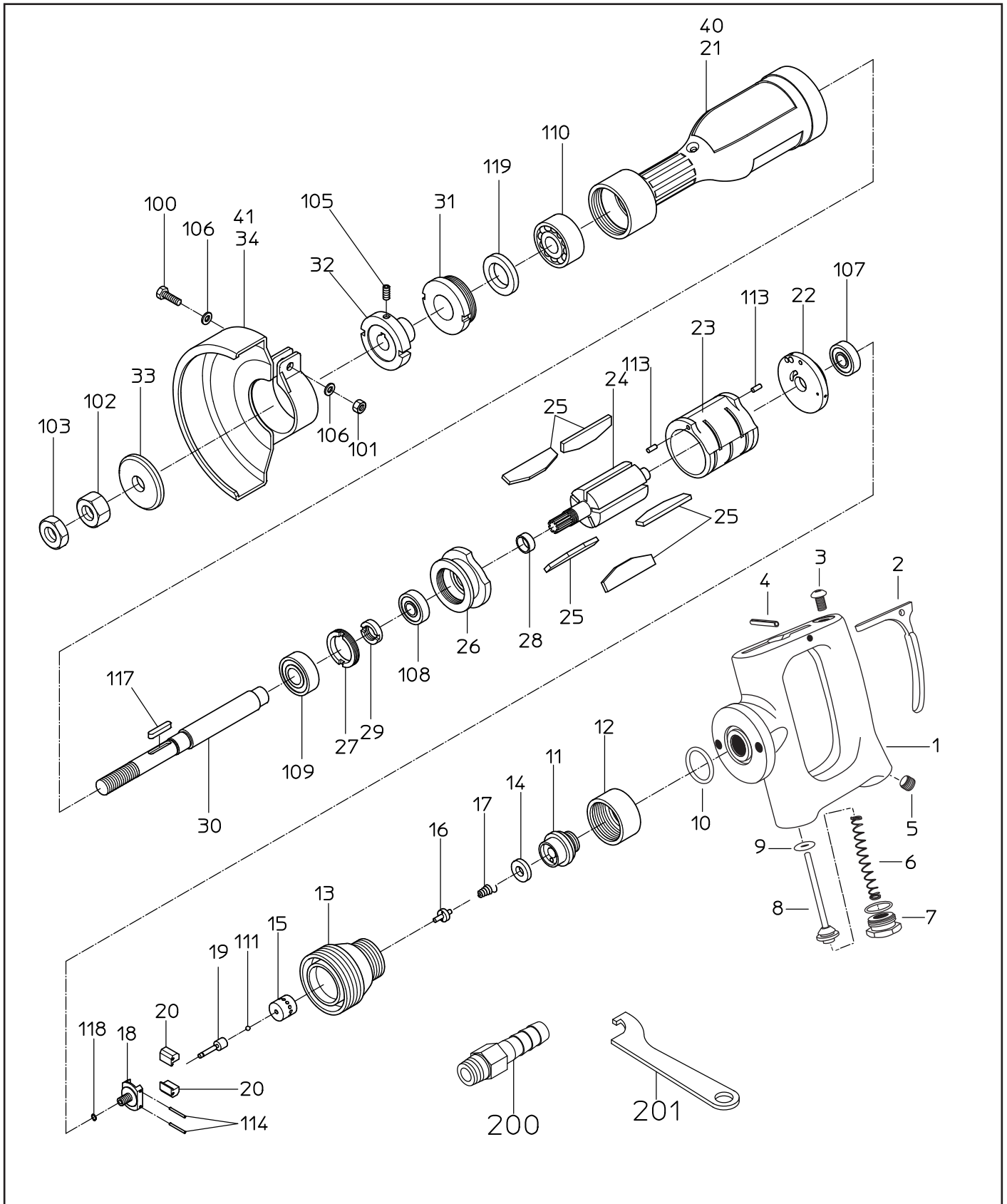


NHG-150D 6" Straight D-Handle Grinder with Guard



NHG-150D 6" Straight D-Handle Grinder with Guard

Index	Part No.	Description	Qty.
1	500-H-3	D-Handle	1
2	700-S-20	Lever Trigger	1
3	700-23	Screw	1
4	650-55	Trigger Pin	1
5	560-16	Plug	1
6	600-52A	Spring	1
7	700-S-26	Throttle Valve Cap	1
8	560-19	Throttle Valve (includes 200-9)	1
9	200-9	O-Ring	1
10	700-30	Gasket	1
11	15006520	Throttle Adapter	1
12	15006410	Arbor Nut	1
13	Not available separate. Available as Handle WB 15016944	Handle	1
14	15005970	Governor Washer	1
15	Not available separate. Available as Handle WB 15016944	Governor Bush	1
16	15005920	Governor Valve	1
17	15004230	Governor Spring	1
18	15007700	Governor Body	1
19	15005960	Governor Spindle	1
20	15007710	Governor Weight	2
21	15016904	Rotor Case	1
22	15006120	Top Plate	1
23	15004280	Cylinder	1
24	15004310	Rotor	1
25	15016099	Vane	5
26	15004290	Bottom Plate	1

Index	Part No.	Description	Qty.
27	15004300	Plate Nut	1
28	15004330	Rotor Bush	1
29	15004340	Rotor Nut	1
30	15004360	Stone Spindle	1
31	15004350	Spindle Nut	1
32	15016054	Stone Flange	1
33	15004260	Stone Washer	1
34	Not available separate. Available as Stone Cover CP 15016969	Stone Cover	1
40	18400493	Name Plate	1
41	18400076	Name Plate	1
100	72206020	Hex Bolt	1
101	76111206	Nut	1
102	28100385	Hex Nut	1
103	28100393	Hex Nut	1
105	28100467	Set Screw	1
106	76310206	Washer	2
107	28201088	Ball Bearing	1
108	28201089	Ball Bearing	1
109	28201090	Ball Bearing	1
110	28204113	Ball Bearing	1
111	25502120	Steel Ball	1
113	28206059	Pin	2
114	28208030	Spring Pin	2
117	28209032	Key	1
118	25307780	Retaining Ring	1
119	28302073	Oil Seal	1
200	24901041	Hose Nipple	1
201	24999129	Turning Spanner	1