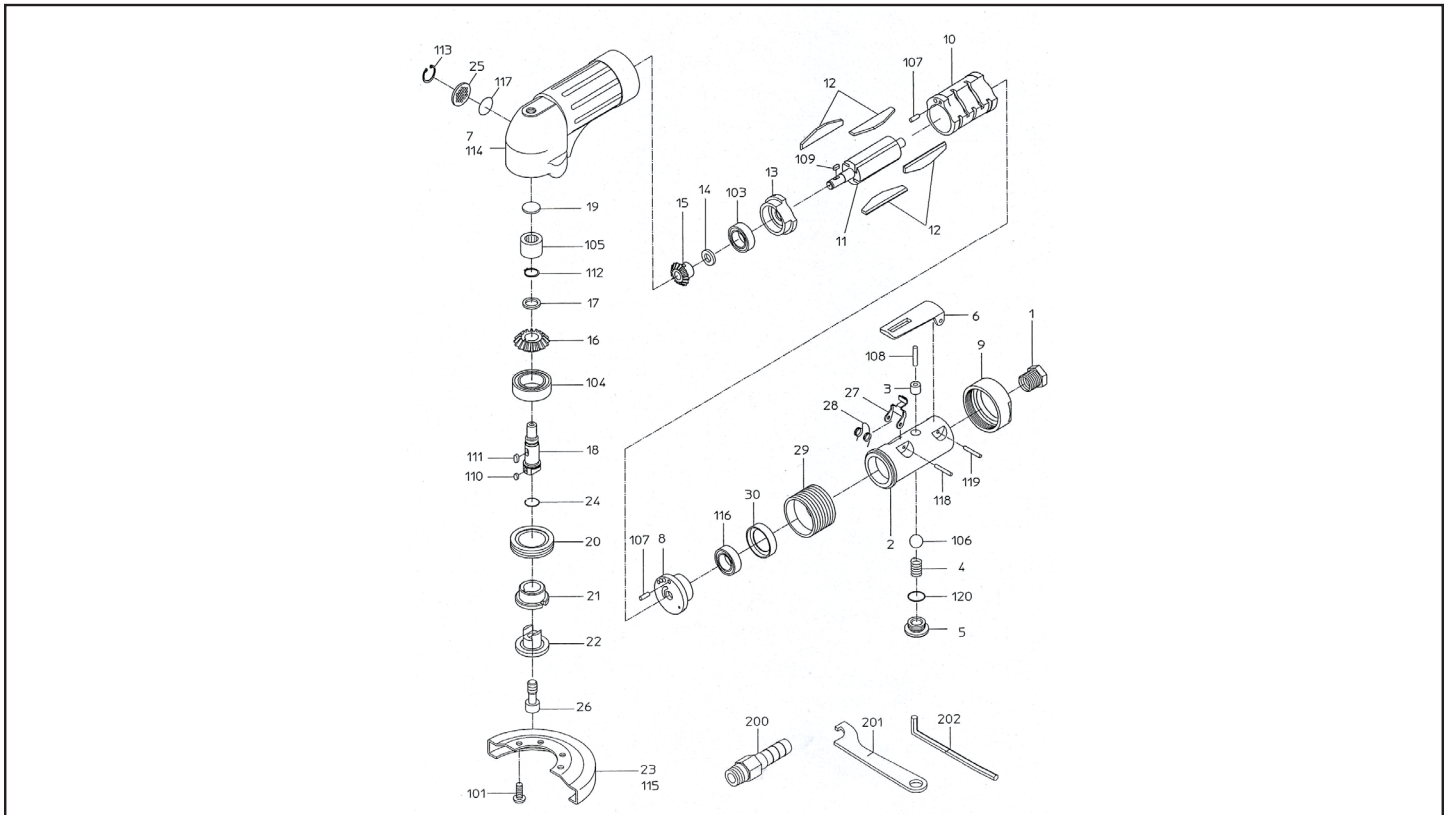




MICHIGAN PNEUMATIC TOOL, INC.

NAG-1FLW 4" Angle Grinder



Index	Part No.	Description	Qty.
1	15204080	Inlet Bushing	1
2	15005500	Handle	1
3	15005480	Throttle Bush	1
4	15102340	Throttle Spring	1
5	15005490	Throttle Plug	1
6	15016036	Lever	1
7	15016148	Rotor Case	1
8	15015778	Top Plate	1
9	15005530	Lock Nut	1
10	15015780	Cylinder	1
11	15016074	Rotor	1
12	15016098	Vane	4
13	15016075	Bottom Plate	1
14	15005250	Rotor Washer	1
15	15005240	Rotor Gear	1
16	15005270	Spindle Gear	1
17	15005260	Spindle Washer	1
18	15016072	Stone Spindle	1
19	15015790	Washer	1
20	15007100	Spindle Nut	1
21	15016056	Stone Flange	1
22	15016063	Wheel Nut	1
23	15015805	Stone Cover	1
24	15007130	Stopper Ring	1
25	15015773	Exhaust Cover	1
26	15015388	Lock Screw	1
27	15005520	Stopper	1
28	15008230	Spring	1
29	15005010	Air Connector	1
30	15015986	Cap	1
101	28100729	Cap Screw	4

Index	Part No.	Description	Qty.
103	28201072	Ball Bearing	1
104	28201098	Ball Bearing	1
105	28203082	Needle Bearing	1
106	28205051	Rubber Ball	1
107	28206036	Pin	2
108	28207223	Roller Pin	1
109	28209010	Key	1
110	28209015	Key	1
111	28209016	Key	1
112	25307480	Retaining Ring	1
113	25307922	Retaining Ring	1
114	18400680	Name Plate	1
115	18400081	Name Plate	1
116	28201071	Ball Bearing	1
117	25401270	O-Ring	1
118	28208061	Spring Pin	1
119	25305020	Spring Pin	1
120	61200120	O-Ring	1
200	24901038	Hose Nipple	1
201	24999125	Turning Spanner	1
202	25004060	Spanner	1
	15016045	Handle CP	
		1,2,3,4,5,6,9,27,28,106,108,118,119,120	
	15015261	Handle WB	
		2,3	
	15016122	Rotor Case CP	
		7,8,10,11,12,13,14,15,16,17,18,19,20,21,22,24,25,26,103,104,105,107,109,110,111,112,113,116,117	
	15015990	Stone Cover CP	
		23,115	

10302013Rev2 PFT | NP