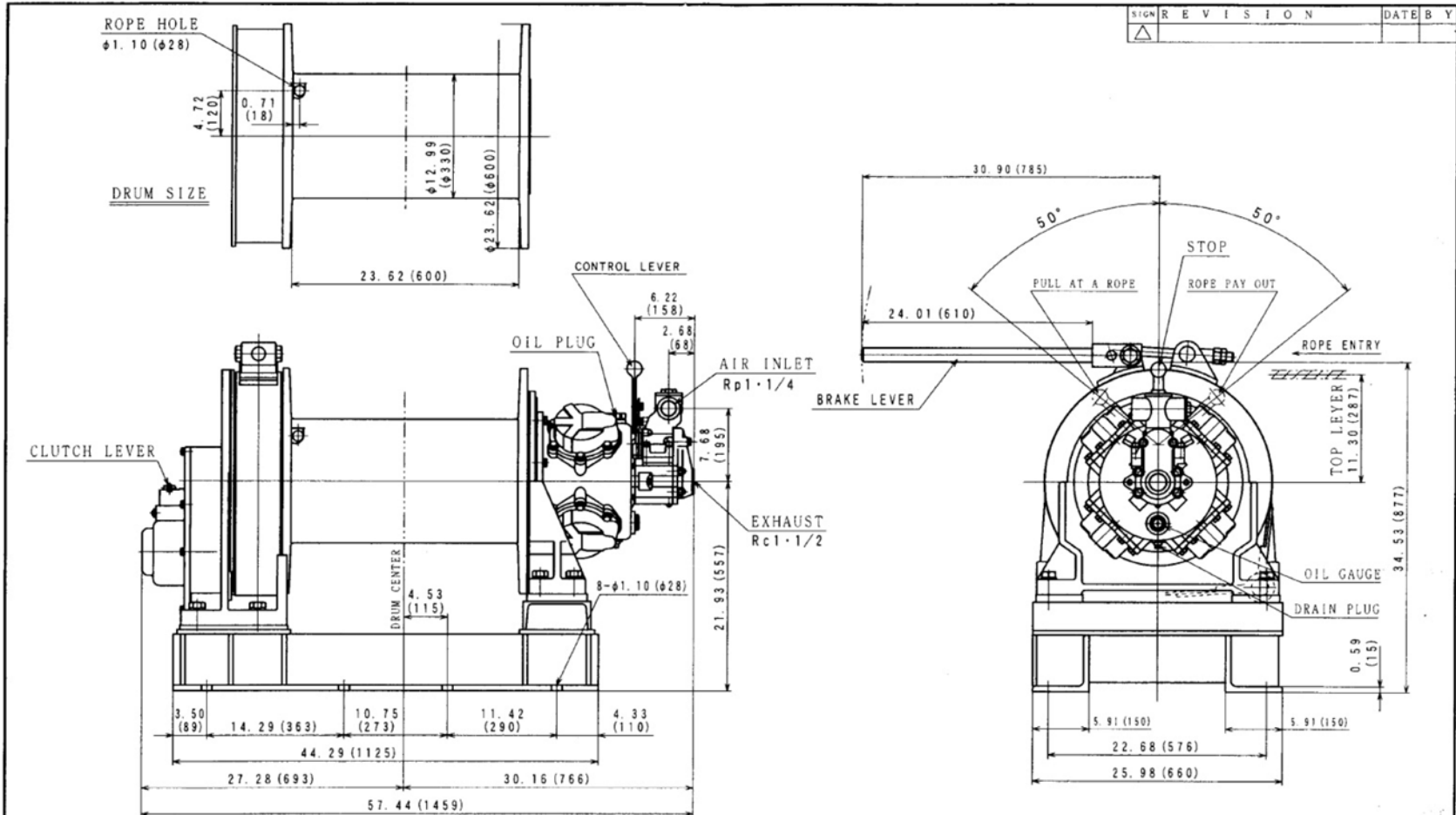




**MICHIGAN PNEUMATIC TOOL, INC.**

**MP-W5036LACMB**

**11000 lb. Long Drum Winch w/ Manual Brake**



**SPECIFICATION (at HALF DRUM)**

AIR PRESSURE psi (MPa)	MOTOR POWER hp (kW)	ROPE PULL lb (kN)	ROPE SPEED fpm (m/min)	AIR CONSUMPTION cfm (N-m <sup>3</sup> /min)	ROPE CAPACITY $\phi$ in x l (m)	WEIGHT lb (kg)
90 (0.62)	16 (12)	11000 (50)	36 (11)	318 (9.0)	7/8 x 750 (230)	ABOUT 1870 (850)

**NOTE**  
 DIMENSIONS ARE INCHES. BRACKETS ( ) METRIC mm

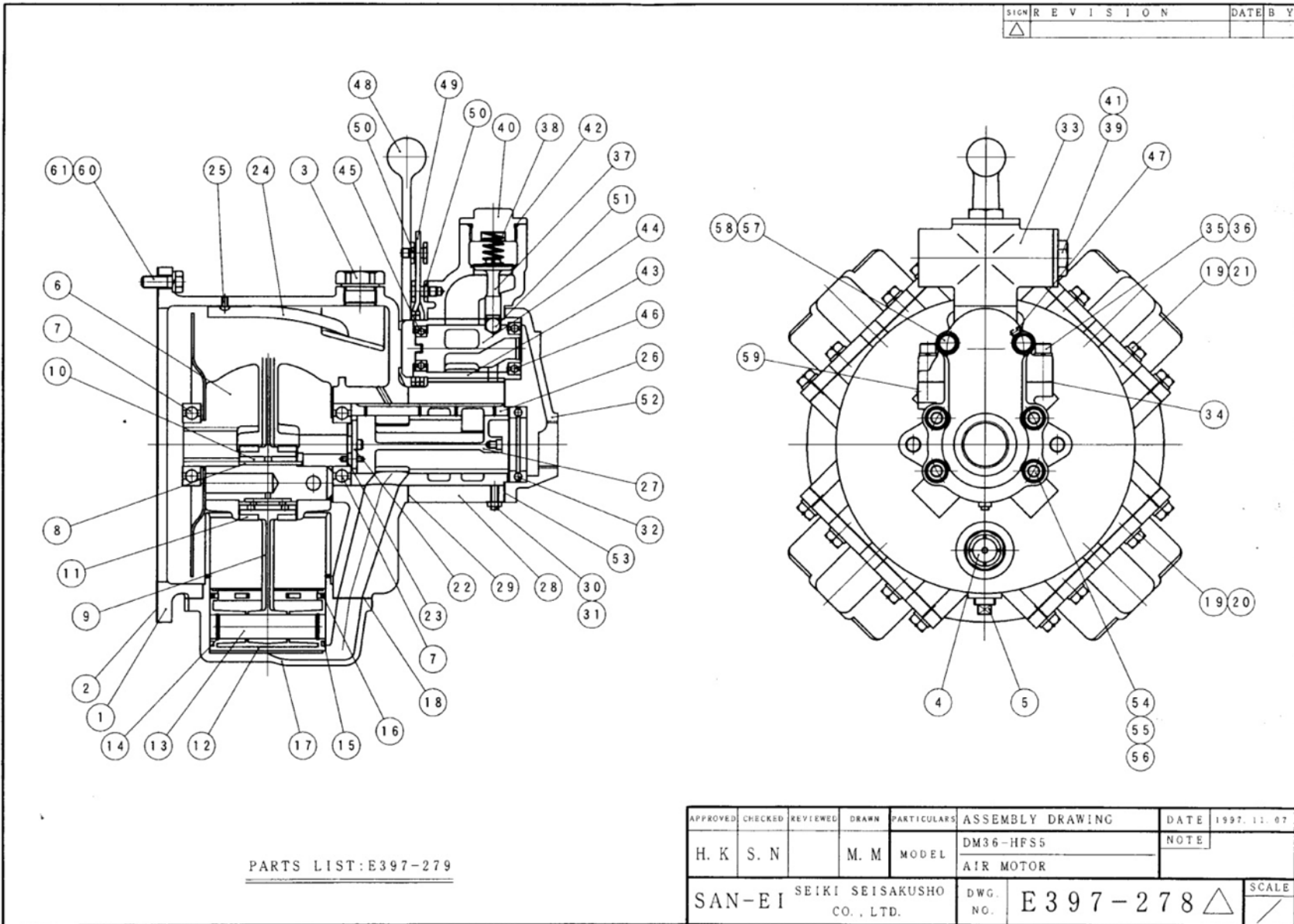
APPROVED	CHECKED	REVIEWED	DRAWN	PARTICULARS	OUTLINE DRAWING	DATE	SCALE
		M. M		MODEL	W-50-36-LAC-MB	Jan. 19, 2006	
					AIR WINCH	NOTE	
SAN-EI SEIKI SEISAKUSHO CO., LTD.					DWG. NO.	E 306-018	



**MICHIGAN PNEUMATIC TOOL, INC.**

**MP-W5036LACMB**

**11000 lb. Long Drum Winch w/ Manual Brake**





**MICHIGAN PNEUMATIC TOOL, INC.**

**MP-W5036LACMB**

**11000 lb. Long Drum Winch w/ Manual Brake**

SIGNATURE	REVISION	DATE	BY
	REVISION	080401	M. T.

No.	PART NUMBER	PARTS NAME	QTY	REMARKS	No.	PART NUMBER	PARTS NAME	QTY	REMARKS
1	E397-2781	Crank Case	1		35	E397-27835	Hex. Socket Cap Screw	4	M10x45
2	E397-2782	Crank Case Packing	1		36	E397-27836	Spring Washer	4	10
3	E397-2783	Oil Plug	1		37	E397-27837	Poppet Valve	1	
4	E397-2784	Oil Gauge	1		38	E397-27838	Poppet Valve Spring	1	
5	E397-2785	Plug	1	1/2B	39	E397-27839	1·1/4 Plug	1	
6	E397-2786	Crank Complete	1Set		40	E397-27840	1·1/2 Plug	1	
7	E397-2787	Ball Bearing	2	6209	41	E397-27841	O Ring	1	P38
8	E397-2788	Shaft Sleeve	1		42	E397-27842	O Ring	1	P44
9	E397-2789	Connecting Rod	4		43	E397-27843	Control Valve Sleeve	1	
10	E397-27810	Rod Bearing	1		44	E397-27844	Control Valve	1	
11	E397-27811	Rod Ring	2		45	E397-27845	Ball Bearing	1	6005
12	E397-27812	Piston	4		46	E397-27846	Ball Bearing	1	6006
13	E397-27813	Piston Pin	4		47	E397-27847	Hex. Socket Set Screw	1	M6x12
14	E397-27814	Piston Circle Clip	8	△	48	E397-27848	Control Lever	1	
15	E397-27815	Piston Ring	4		49	E397-27849	Lever Spring	1	
16	E397-27816	Oil Ring	4		50	E397-27850	Spring Support	2	
17	E397-27817	Cylinder	4		51	E397-27851	Ball	1	φ15
18	E397-27818	Cylinder Packing	4		52	E397-27852	Valve Cover	1	
19	E397-27819	Hex. Bolt	24	M12x30	53	E397-27853	Valve Cover Packing	1	
20	E397-27820	Cylinder Bolt Washer	12		54	E397-27854	Valve Body Bolt	4	
21	E397-27821	Spring Washer	12	12	55	E397-27855	Hex. Nut	4	M12
22	E397-27822	Valve Coupling	1		56	E397-27856	Spring Washer	4	12
23	E397-27823	Spring Pin	1	φ4x20	57	E397-27857	Hex. Bolt	2	M10x50
24	E397-27824	Oil Guide	1		58	E397-27858	Spring Washer	2	10
25	E397-27825	Cross Recessed Head Screw	2	M6x20	59	E397-27859	Hex. Socket Plug	1	1/4B
26	E397-27826	Valve Sleeve	1		60	E397-27860	Hex. Bolt	8	M12x35
27	E397-27827	Rotary Valve	1		61	E397-27861	Spring Washer	8	12
28	E397-27828	Valve Body	1						
29	E397-27829	Valve Body Packing	1						
30	E397-27830	Hex. Socket Set Screw	1	M8x25					
31	E397-27831	Hex. Nut	1	M8-3					
32	E397-27832	Thrust Bearing	1	2911					
33	E397-27833	Control Valve Body	1						
34	E397-27834	Control Valve Body Packing	1						

ASSEMBLY DRAWING: E397-278

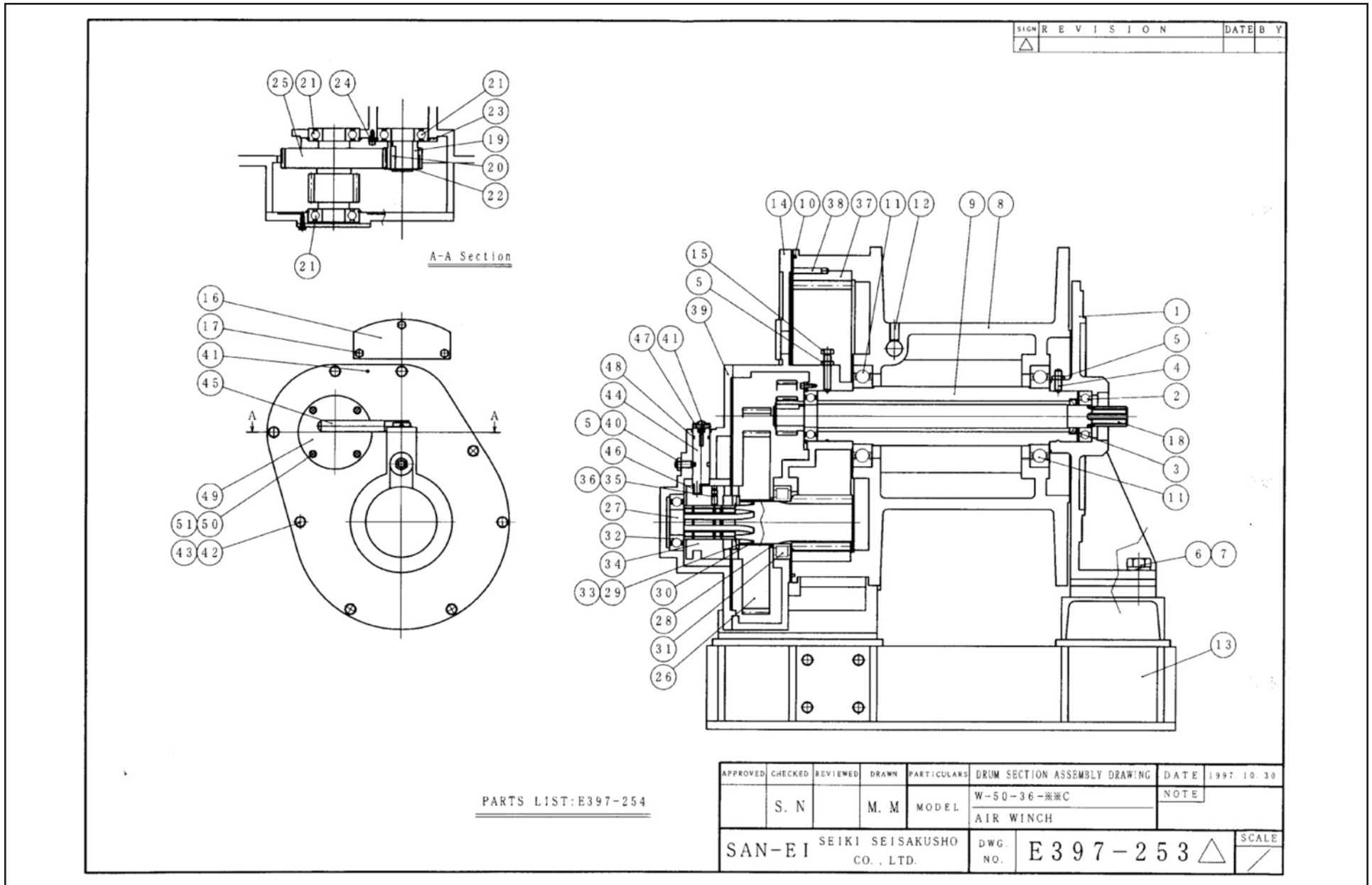
APPROVED	CHECKED	REVIEWED	DRAWN	PARTICULARS	PARTS LIST	DATE	1997. 11. 07
H. K	S. N		M. M	MODEL	DM36-HF55	NOTE	
					AIR MOTOR		
SAN-EI SEIKI SEISAKUSHO CO., LTD.					DWG. NO.	E397-279	SCALE



**MICHIGAN PNEUMATIC TOOL, INC.**

**MP-W5036LACMB**

11000 lb. Long Drum Winch w/ Manual Brake





**MICHIGAN PNEUMATIC TOOL, INC.**

**MP-W5036LACMB**

**11000 lb. Long Drum Winch w/ Manual Brake**

SIGN	REVISION	DATE	BY
△			

No.	PART NUMBER	PARTS NAME	Q'TY	REMARKS	No.	PART NUMBER	PARTS NAME	Q'TY	REMARKS
1	E397-2531	Crank Case Cover	1		3 4	E397-25334	Clutch	1	
2	E397-2532	Ball Bearing	1	6308	3 5	E397-25335	Plunger	1	PBF-10-KS
3	E397-2533	Oil Seal	1	SC406211	3 6	E397-25336	Hex.Socket Set Screw	1	M10x10
4	E397-2534	Hex.Socket Set Screw	1	M12x40	3 7	E397-25337	Internal Gear	1	
5	E397-2535	Hex. Nut	3	M12-3	3 8	E397-25338	Parallel Pin	2	φ10x60
6	E397-2536	High Grade Hex. Bolt	10	M24x70 (10.9)	3 9	E397-25339	Gear Case Cover	1	
7	E397-2537	Spring Washer	10	24	4 0	E397-25340	Plunger	1	SP12-1
8	E397-2538L	Drum	1		4 1	E397-25341	Spring Pin	2	φ6x28
9	E397-2539L	Drum Shaft	1		4 2	E397-25342	Hex. Bolt	8	M10x35
1 0	E397-25310	Packing	1		4 3	E397-25343	Spring Washer	8	10
1 1	E397-25311	Ball Bearing	2	6220ZZ	4 4	E397-25344	Clutch Eccentric	1	
1 2	E397-25312	Hex.Socket Set Screw	2	M16x30	4 5	E397-25345	Clutch Lever	1	
1 3	E397-25313L	Bed	1		4 6	E397-25346	Inner Ring	1	IR10x14x16
1 4	E397-25314	Gear Case	1		4 7	E397-25347	Plunger	1	SP-8-2
1 5	E397-25315	Drum Shaft Set Bolt	1		4 8	E397-25348	O Ring	1	P24
1 6	E397-25316	Gear Case Plate	1		4 9	E397-25349	Cover	1	
1 7	E397-25317L	Hex. Bolt	3	M8x25	5 0	E397-25350	Hex. Bolt	4	M6x20
1 8	E397-25318	Motor Shaft	1		5 1	E397-25351	Spring Washer	4	6
1 9	E397-25319	First Pinion	1						
2 0	E397-25320	Key	1	10x8x40					
2 1	E397-25321	Ball Bearing	3	6308ZZNR					
2 2	E397-25322	Retaining Ring	1	S35					
2 3	E397-25323	Bearing Support	1						
2 4	E397-25324	Hex.Socket Cap Screw	3	M6x16					
2 5	E397-25325	First Gear	1						
2 6	E397-25326	Second Gear	1						
2 7	E397-25327	Third Pinion	1						
2 8	E397-25328	Collar	1						
2 9	E397-25329	Pinion Collar	1						
3 0	E397-25330	Gear Bushing	1	70B-7560					
3 1	E397-25331	Roller Bearing	1	NJ2215E					
3 2	E397-25332	Ball Bearing	1	6309ZZ					
3 3	E397-25333	Retaining Ring	1	S60					

ASSEMBLY DRAWING: E397-253

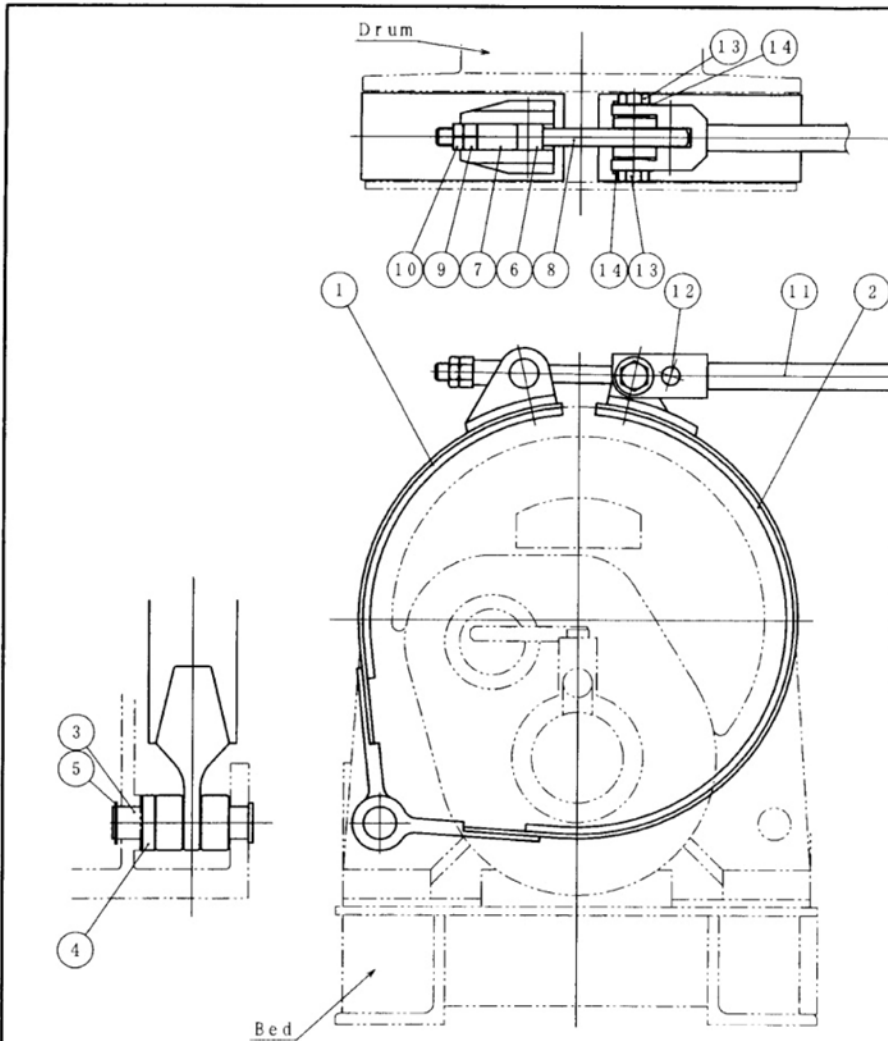
APPROVED	CHECKED	REVIEWED	DRAWN	PARTICULARS	DRUM SECTION PARTS LIST	DATE	1997. 10. 30
	S. N		M. M	MODEL	W-50-36-※C	NOTE	
					AIR WINCH		
SAN-EI SEIKI SEISAKUSHO CO., LTD.					DWG. NO.	E 3 9 7 - 2 5 4 △	SCALE



**MICHIGAN PNEUMATIC TOOL, INC.**

**MP-W5036LACMB**

11000 lb. Long Drum Winch w/ Manual Brake



\*Not pictured

Model number with guard: **MP-W5036LACMBG**  
Guard Part Number: **E305-013G**

SIGN	REVISION	DATE	BY
△			

No.	PART NUMBER	PARTS NAME	Q'TY	REMARKS
1	E306-0501	Brake Assembly (A)	1Set	
2	E306-0502	Brake Assembly (B)	1Set	
3	E306-0503	Brake Connection Pin	1	
4	E306-0504	Connection Collar	1	
5	E306-0505	Retaining Ring	1	S45
6	E306-0506	Brake Pin	1	
7	E306-0507	Distance Piece	1	
8	E306-0508	Adjuster Bolt	1	
9	E306-0509	Hex. Nut	1	M24
10	E306-05010	Hex. Nut	1	M24-3
11	E306-05011	Brake Lever Block	1	
12	E306-05012	Parallel Pin	1	φ25x90
13	E306-05013	Lever Pin	2	
14	E306-05014	Lock Washer	2	24

APPROVED	CHECKED	REVIEWED	DRAWN	PARTICULARS	BRAKE SECTION ASSEMBLY DRAWING	DATE	Feb. 17, 2006
		M. M		MODEL	W-50-36-**-MB	NOTE	
					AIR WINCH	Z06-008	
SAN-EI SEIKI SEISAKUSHO CO., LTD.				DWG. NO.	E306-050	SCALE	1/8