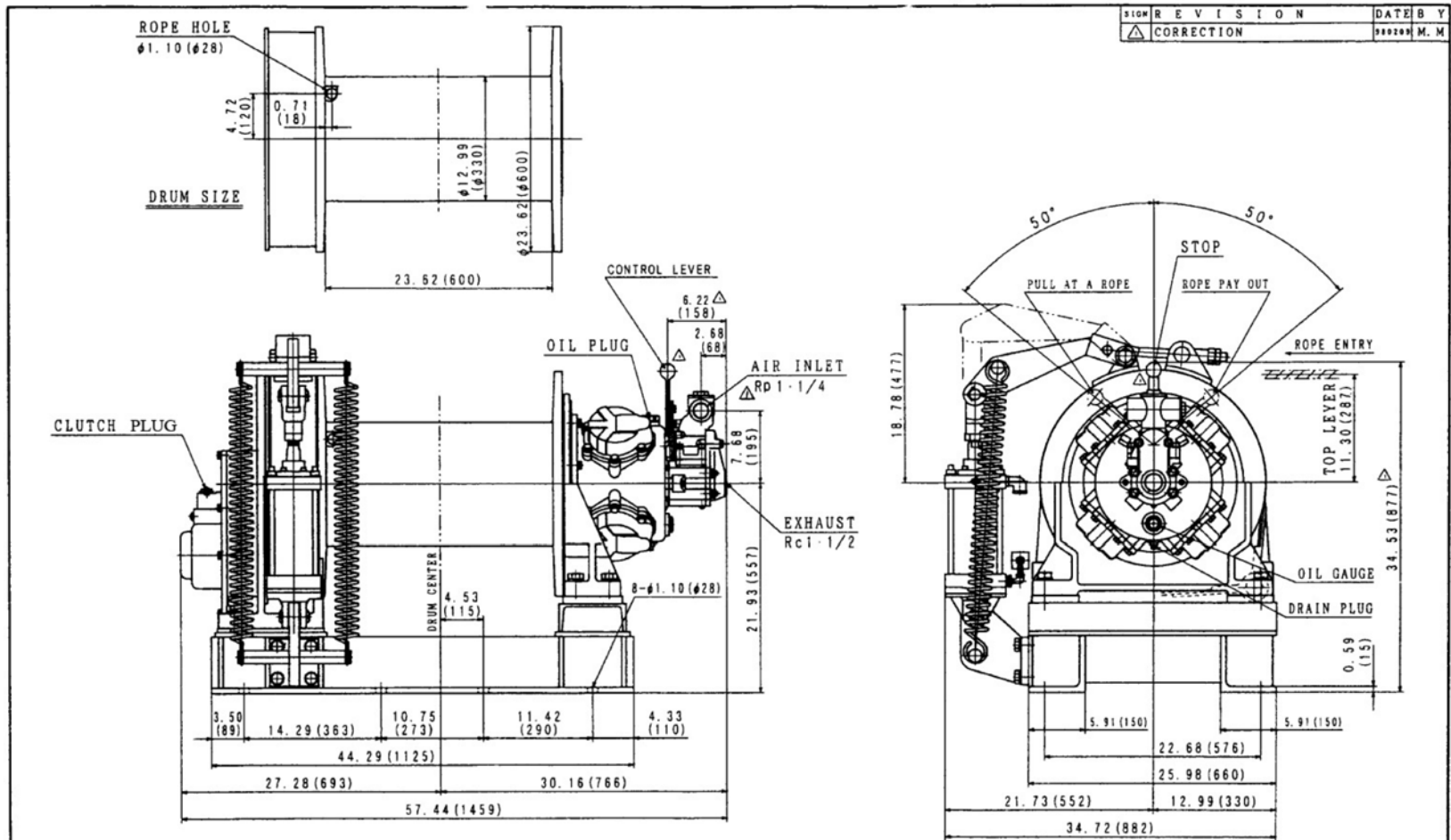




**MICHIGAN PNEUMATIC TOOL, INC.**

**MP-W5036LAAB** 11000 lb. Long Drum Winch w/ Auto Brake



SIZE	REVISION	DATE	BY
△	CORRECTION		STEVEN M. M

**SPECIFICATION (at HALF DRUM)**

AIR PRESSURE psi (MPa)	MOTOR POWER hp (kW)	ROPE PULL lb (kN)	ROPE SPEED fpm (m/min)	AIR CONSUMPTION cfm (N-m <sup>3</sup> /min)	ROPE CAPACITY #in x ft (m)	WEIGHT lb (kg)
90 (0.62)	16 (12)	11000 (50)	36 (11)	318 (9.0)	7/8 x 750 (230)	ABOUT 1921 (873)

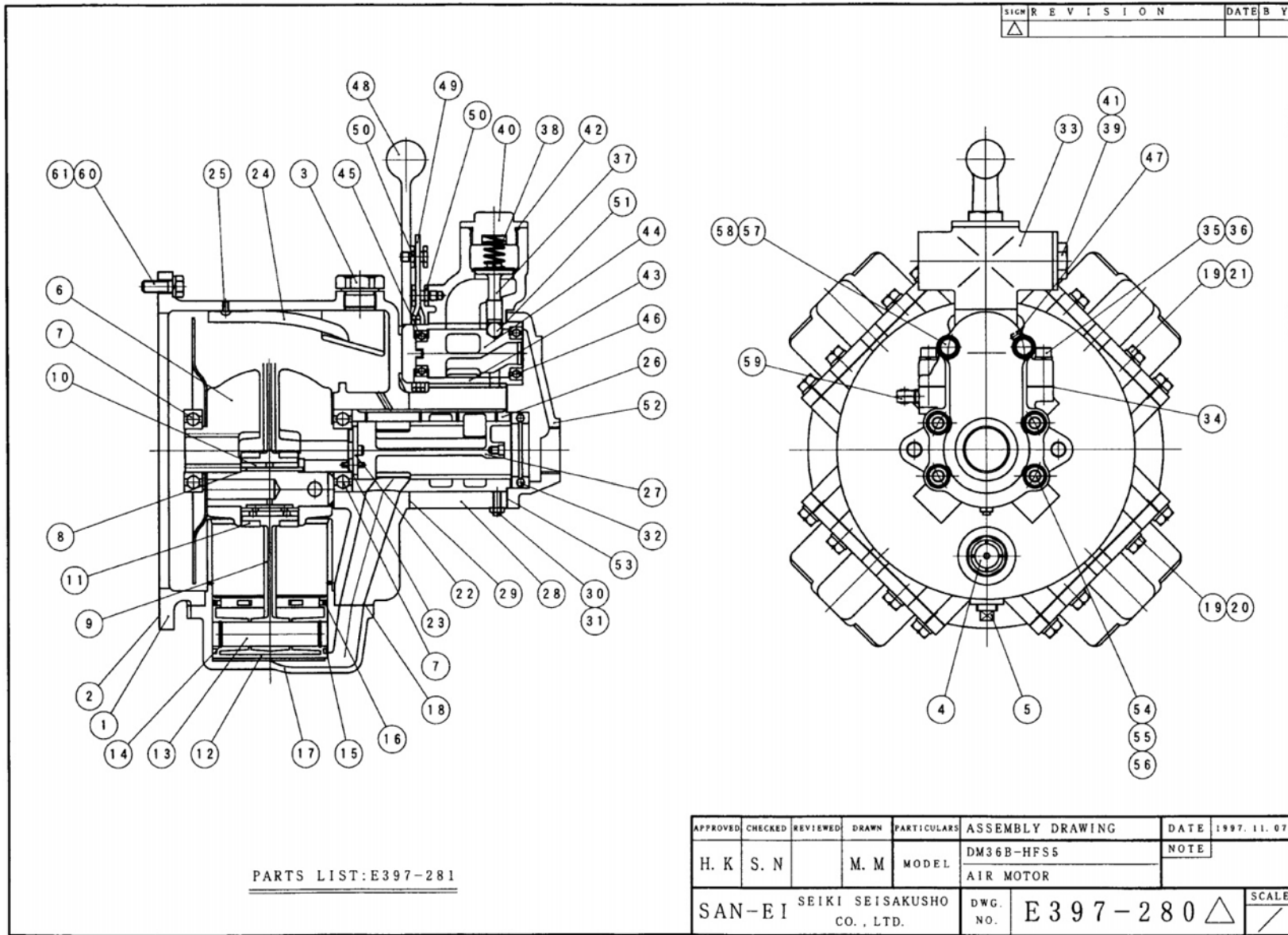
**NOTE**  
DIMENSIONS ARE INCHES, BRACKETS ( ) METRIC mm

APPROVED	CHECKED	REVIEWED	DRAWN	PARTICULARS	OUTLINE DRAWING	DATE	JAN. 07. 1998
				MODEL	W-50-36-LA-AB	NOTE	
					AIR WINCH	Z97-111	
SAN-EI SEIKI SEISAKUSHO CO., LTD.					DWG. NO.	E 398-010	SCALE



**MICHIGAN PNEUMATIC TOOL, INC.**

**MP-W5036LAAB** 11000 lb. Long Drum Winch w/ Auto Brake





**MICHIGAN PNEUMATIC TOOL, INC.**

**MP-W5036LAAB 11000 lb. Long Drum Winch w/ Auto Brake**

SIGN R E V I S I O N										DATE B Y	
Revision										***** M T	
No.	PART NUMBER	PARTS NAME		Q'TY	REMARKS	No.	PART NUMBER	PARTS NAME		Q'TY	REMARKS
1	E397-2801	Crank Case		1		35	E397-28035	Hex. Socket Cap Screw		4	M10x45
2	E397-2802	Crank Case Packing		1		36	SW1-10	Spring Washer		4	10
3	E397-2803	Oil Plug		1		37	E397-28037	Poppet Valve		1	
4	E397-2804	Oil Gauge		1		38	E397-28038	Poppet Valve Spring		1	
5	E397-2805	Plug		1	1/2B	39	E397-28039	1-1/4 Plug		1	
6	E397-2806	Crank Complete		1	Set	40	E397-28040	1-1/2 Plug		1	
7	B-6209	Ball Bearing		2	6209	41	OR-P38	O Ring		1	P38
8	E397-2808	Shaft Sleeve		1		42	OR-P44	O Ring		1	P44
9	E397-2809	Connecting Rod		4		43	E397-28043	Control Valve Sleeve		1	
10	E397-28010	Rod Bearing		1		44	E397-28044	Control Valve		1	
11	E397-28011	Rod Ring		2		45	B-6005	Ball Bearing		1	6005
12	E397-28012	Piston		4		46	B-6006	Ball Bearing		1	6006
13	E397-28013	Piston Pin		4		47	E397-28017	Hex. Socket Set Screw		1	M6x12
14	E397-28014	Piston Circle Clip		8	△	48	E397-28048	Control Lever		1	
15	E397-28015	Piston Ring		4		49	E397-28049	Lever Spring		1	
16	E397-28016	Oil Ring		4		50	E397-28050	Spring Support		2	
17	E397-28017	Cylinder		4		51	SB-0475	Ball		1	φ15
18	E397-28018	Cylinder Packing		4		52	E397-28052	Valve Cover		1	
19	E397-27418	Hex. Bolt		24	M12x30	53	E397-28053	Valve Cover Packing		1	
20	E397-28020	Cylinder Bolt Washer		12		54	E397-28054	Valve Body Bolt		4	
21	SW2-12	Spring Washer		12	12	55	E397-28055	Hex. Nut		4	M12
22	E397-28022	Valve Coupling		1		56	SW2-12	Spring Washer		4	12
23	SNP-420	Spring Pin		1	φ4x20	57	E397-28057	Hex. Bolt		2	M10x50
24	E397-28024	Oil Guide		1		58	SW2-10	Spring Washer		2	10
25	E397-28025	Cross Recessed Head Screw		2	M6x20	59	E397-28059	Copper Tube Joint		1	B-8-PT1/4
26	E397-28026	Valve Sleeve		1		60	E397-27450	Hex. Bolt		8	M12x35
27	E397-28027	Rotary Valve		1		61	SW2-12	Spring Washer		8	12
28	E397-28028	Valve Body		1							
29	E397-28029	Valve Body Packing		1							
30	E397-28030	Hex. Socket Set Screw		1	M8x25						
31	E397-28031	Hex. Nut		1	M8-3						
32	E397-28032	Thrust Bearing		1	2911						
33	E397-28033	Control Valve Body		1							
34	E397-28034	Control Valve Body Packing		1							

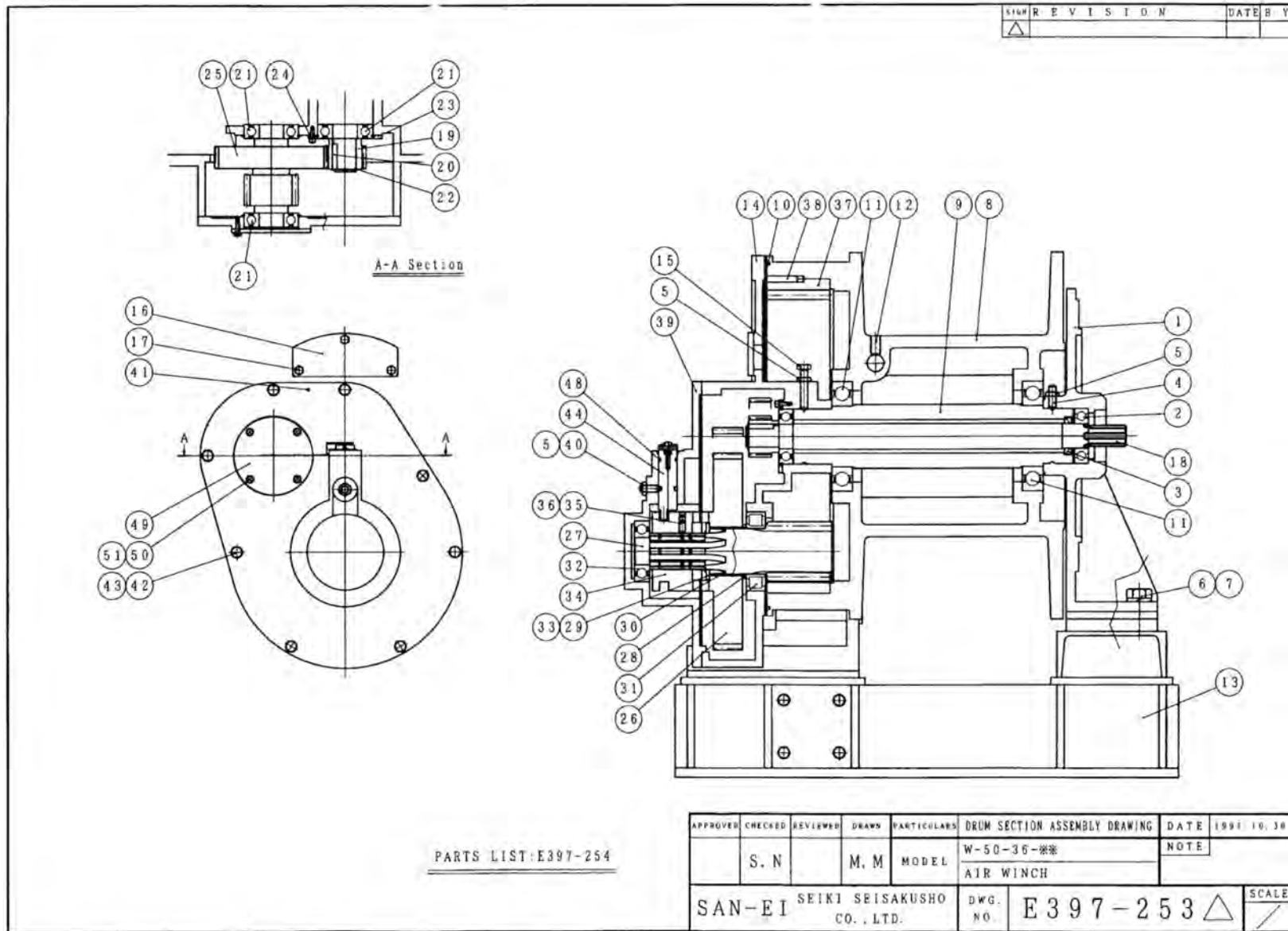
APPROVED	CHECKED	REVIEWED	DRAWN	PARTICULARS	PARTS LIST	DATE	1997. 11. 07
H. K.	S. N.		M. M.	MODEL	DM36B-HFSS5	NOTE	
					AIR MOTOR		
SAN-EI SEIKI SEISAKUSHO CO., LTD.					DWG. NO.	E 3 9 7 - 2 8 1	SCALE

ASSEMBLY DRAWING: E397-280



**MICHIGAN PNEUMATIC TOOL, INC.**

**MP-W5036LAAB** 11000 lb. Long Drum Winch w/ Auto Brake





**MICHIGAN PNEUMATIC TOOL, INC.**

**MP-W5036LAAB 11000 lb. Long Drum Winch w/ Auto Brake**

REV	REVISION	DATE	BY
△			

No.	PARTNUMBER	PARTS NAME	QTY	REMARKS	No.	PARTNUMBER	PARTS NAME	QTY	REMARKS
1	E397-2531	Crank Case Cover	1		3 4	E397-25334	Clutch	1	
2	B-6308ZZ	Ball Bearing	1	6308	3 5	E397-24533	Plunger	1	PBF-10-KS
3	E397-2533	Oil Seal	1	SC406211	3 6	E397-24534	Hex.Socket Set Screw	1	M10x10
4	E397-2534	Hex.Socket Set Screw	1	M12x40	3 7	E397-25337	Internal Gear	1	
5	E397-27442	Hex.Nut	3	M12-3	3 8	E397-25338	Parallel Pin	2	φ10x60
6	E397-2536	High Grade Hex.Bolt	10	M24x70 (10.9)	3 9	E397-25339	Gear Case Cover	1	
7	E397-2537	Spring Washer	10	24	4 0	E397-24538	Plunger	1	SP12-1
8	E397-2538L	Drum	1		4 1	SNP-628	Spring Pin	2	φ6x28
9	E397-2539L	Drum Shaft	1		4 2	E397-25342	Hex. Bolt	8	M10x35
1 0	E397-25310	Packing	1		4 3	SW2-10	Spring Washer	8	10
1 1	E397-25311	Ball Bearing	2	6220ZZ	4 4	E397-24542CEP	Clutch Plug	1	
1 2	E397-25312	Hex.Socket Set Screw	2	M16x30	4 5				
1 3	E397-25313L	Bed	1		4 6				
1 4	E397-25314	Gear Case	1		4 7				
1 5	E397-25315	Drum Shaft Set Bolt	1		4 8	OR-P24	O Ring	1	P24
1 6	E397-25316	Gear Case Plate	1		4 9	E397-25349	Cover	1	
1 7	E302-11135	Hex. Bolt	3	M8x25	5 0	E397-27049	Hex. Bolt	4	M6x20
1 8	E397-25318 L	Motor Shaft	1		5 1	SW2-6	Spring Washer	4	6
1 9	E397-25319	First Pinion	1						
2 0	E397-25320	Key	1	10x8x40					
2 1	E397-25321	Ball Bearing	3	6308ZZNR					
2 2	E397-25322	Retaining Ring	1	S35					
2 3	E397-25323	Bearing Support	1						
2 4	CS-616	Hex.Socket Cap Screw	3	M6x16					
2 5	E397-25325	First Gear	1						
2 6	E397-25326	Second Gear	1						
2 7	E397-25327	Third Pinion	1						
2 8	E397-25328	Collar	1						
2 9	E397-25329	Pinion Collar	1						
3 0	E397-25330	Gear Bushing	1	70B-7560					
3 1	E397-25331	Roller Bearing	1	NJ2215E					
3 2	B-6309ZZ	Ball Bearing	1	6309ZZ					
3 3	E397-25333	Retaining Ring	1	S60					

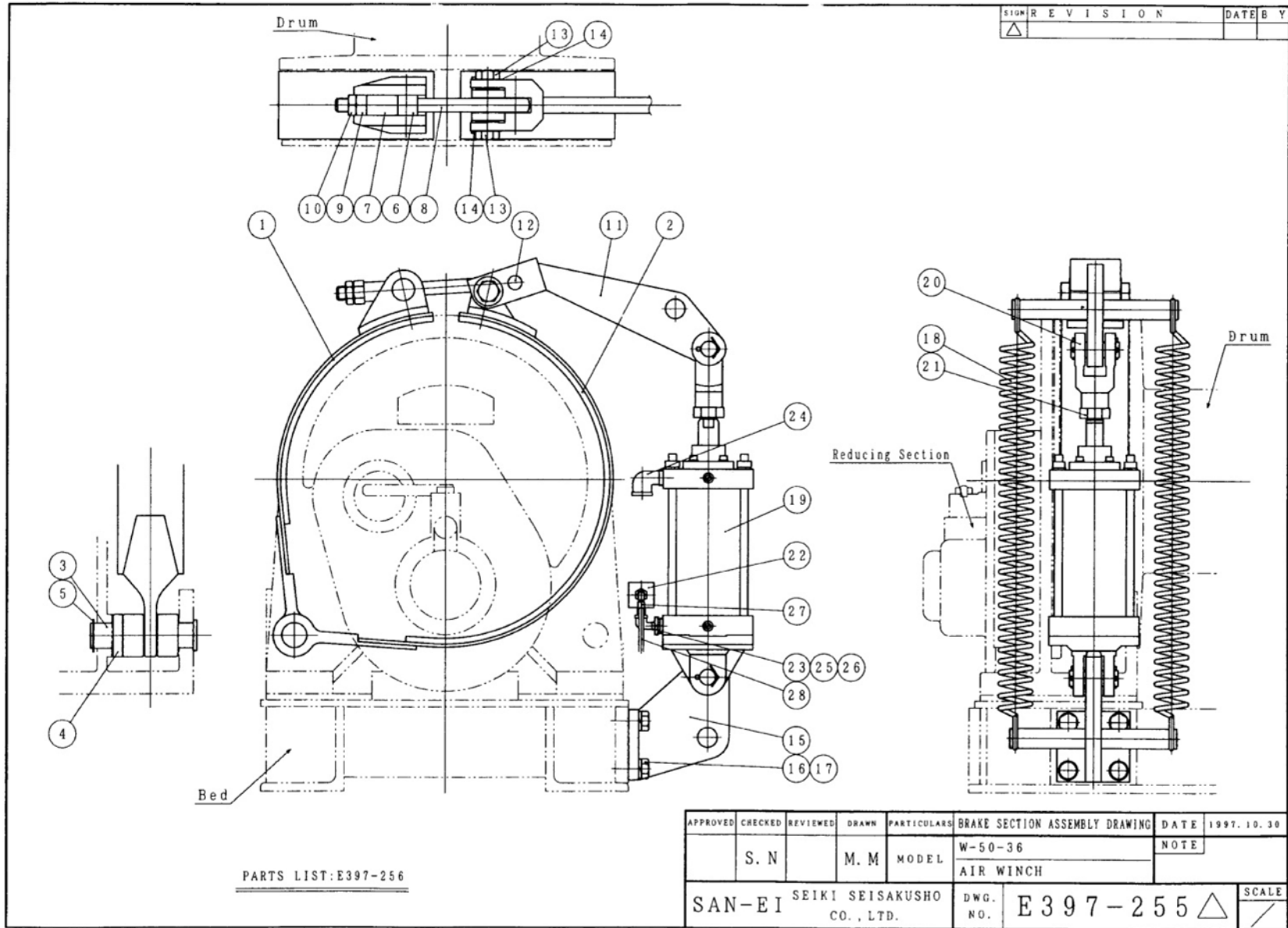
ASSEMBLY DRAWING: E397-253

APPROVED	CHECKED	REVIEWED	DRAWN	PARTICULARS	DRUM SECTION PARTS LIST	DATE	1997.10.30
	S. N		M. M	MODEL	W-50-36-※※	NOTE	
					AIR WINCH		
SAN-EI SEIKI SEISAKUSHO CO., LTD.					DWG. NO.	E 3 9 7 - 2 5 4 △	SCALE



**MICHIGAN PNEUMATIC TOOL, INC.**

**MP-W5036LAAB** 11000 lb. Long Drum Winch w/ Auto Brake



SIGN	REVISION	DATE	BY
△			

PARTS LIST: E397-256

APPROVED	CHECKED	REVIEWED	DRAWN	PARTICULARS	BRAKE SECTION ASSEMBLY DRAWING	DATE	1997. 10. 30
	S. N		M. M	MODEL	W-50-36	NOTE	
					AIR WINCH		
SAN-EI SEIKI SEISAKUSHO CO., LTD.					DWG. NO.	E 3 9 7 - 2 5 5	SCALE



**MICHIGAN PNEUMATIC TOOL, INC.**

**MP-W5036LAAB** 11000 lb. Long Drum Winch w/ Auto Brake

SIGN	REVISION	DATE	BY
△			

No.	PART NUMBER	PARTS NAME	QTY	REMARKS	No.	PART NUMBER	PARTS NAME	QTY	REMARKS
1	E397-2551	Brake Assembly (A)	1Set		16	E397-25516	Hex. Bolt	4	M20x50
2	E397-2552	Brake Assembly (B)	1Set		17	E397-2457	Spring Washer	4	20
3	E397-2553	Brake Connection Pin	1		18	E397-25518	Brake Spring	2	
4	E397-2554	Connection Collar	1		19	E397-25519	Air Cylinder	1	CS1DFN140-200N
5	E397-2555	Retaining Ring	1	S45	20	E397-25520	Cylinder Rod Joint	1	Y-14
6	E397-2556	Brake Pin	1		21	E397-25521	Cylinder Rod Nut	1	NT-12
7	E397-2557	Distance Piece	1		22	E397-25522	Quick Exhaust Valve	1	AQ2000-02
8	E397-2558	Adjuster Bolt	1		23	E397-25523	Street Elbow	1	1/4B
9	E397-2559	Hex. Nut	1	M24	24	E397-25524	Street Elbow	1	1/2B
10	E397-25510	Hex. Nut	1	M24-3	25	E397-25525	Bushing	1	1/2x1/4B
11	E397-25511	Brake Lever Assembly	1Set		26	E397-25526	Nipple	1	1/4B
12	E397-25512	Parallel Pin	1	φ25x90	27	E397-28059	Copper Tube Joint	1	B-8-PT1/4
13	E397-25513	Lever Pin	2		28	E397-25528	Copper Tube	2m	φ8
14	E397-25514	Lock Washer	2	24					
15	E397-25515	Cylinder Bracket	1						

\*Not pictured

Model number with guard: **MP-W5036LAABG**  
Guard Part Number: **E305-013G**

Model number with guard & pendant: **MP-W5036LPABG**  
Guard Part Number: **E305-013G**  
Pendant Part Number: **E310-237PC**

Model number with pendant: **MP-W5036LPAB**  
Pendant Part Number: **E310-237PC**

ASSEMBLY DRAWING: E397-255

APPROVED	CHECKED	REVIEWED	DRAWN	PARTICULARS	BRAKE SECTION PARTS LIST	DATE	1897.10.30
	S. N		M. M	MODEL	W-50-36 AIR WINCH	NOTE	
SAN-EI SEIKI SEISAKUSHO CO., LTD.					DWG. NO.	E397-256	SCALE