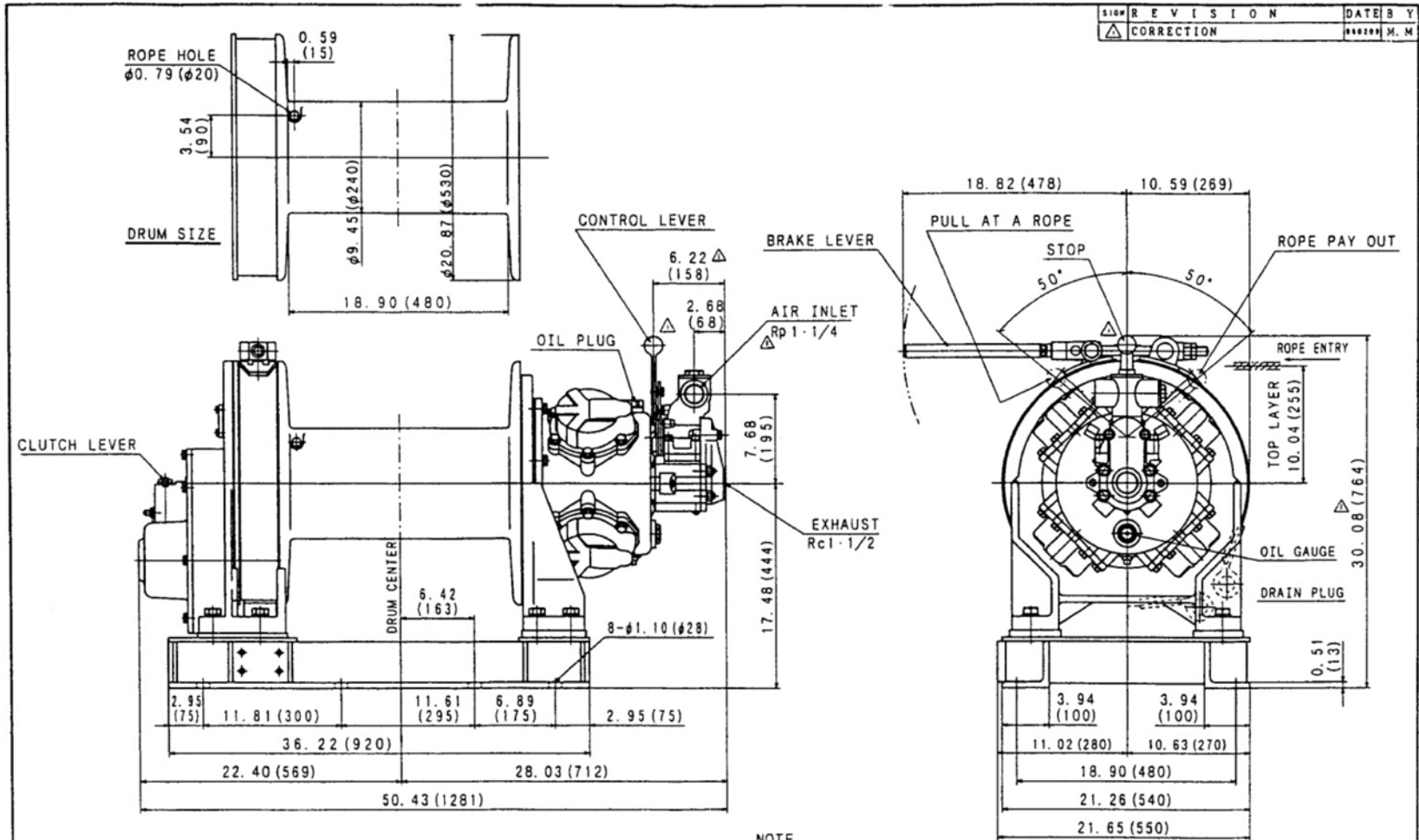




MICHIGAN PNEUMATIC TOOL, INC.

MP-W3036LACMB

6600 lb. Long Drum Winch w/ Manual Brake



SHOW	REVISION	DATE	BY
△	CORRECTION	*****	M. M

SPECIFICATIONS (at HALF DRUM)

AIR PRESSURE psi (MPa)	MOTOR POWER hp (kW)	ROPE PULL lb (kN)	ROPE SPEED fpm (m/min)	AIR CONSUMPTION cfm (M ³ /min)	ROPE CAPACITY #in x ft (m)	WEIGHT lb (kg)
90 (0.62)	16 (12)	6600 (30)	62 (19)	318 (9.0)	5/8 x 1050 (320)	ABOUT 1129 (513)

NOTE

DIMENSIONS ARE INCHES. BRACKETS () METRIC mm.

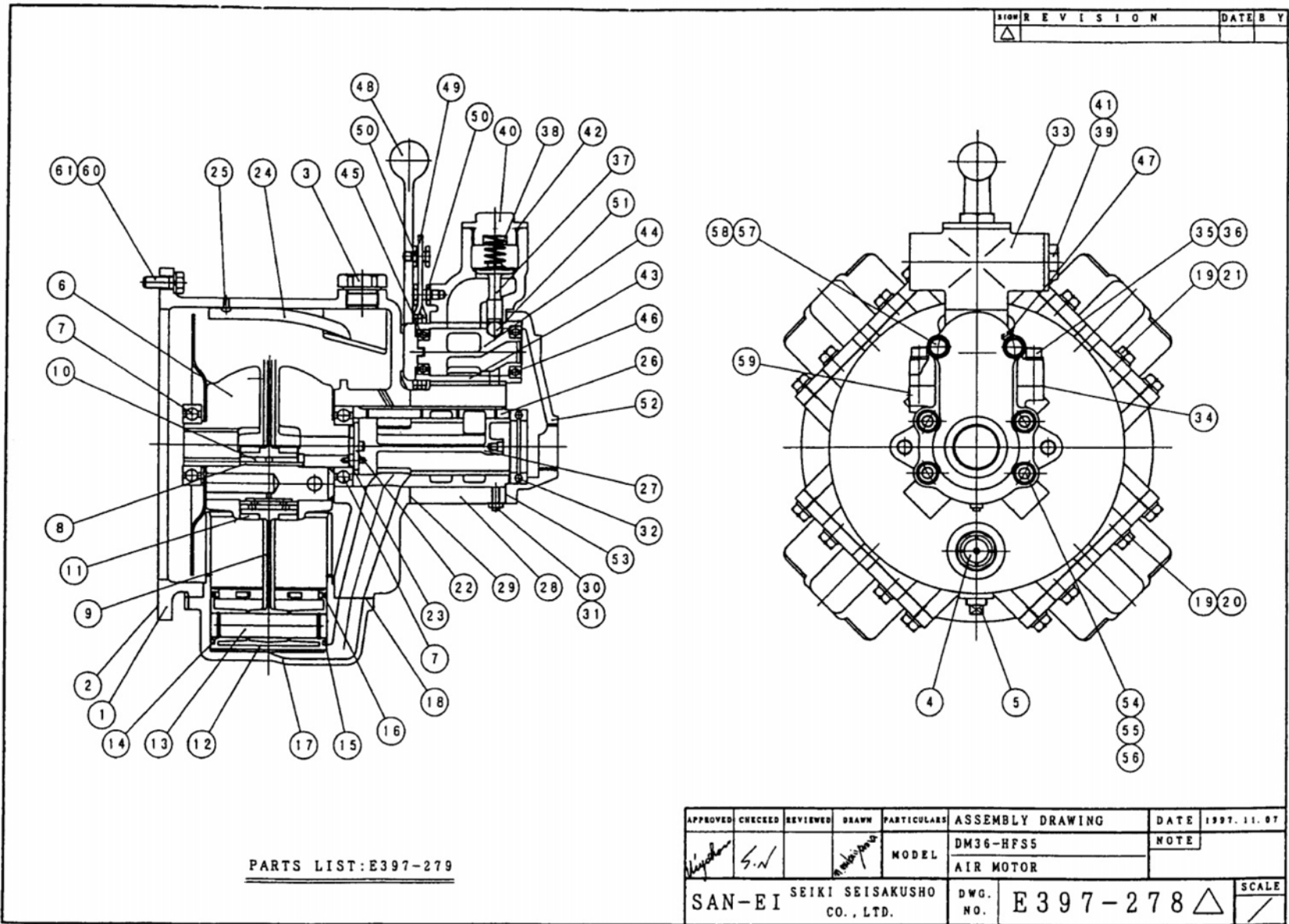
APPROVED	CHECKED	REVIEWED	DRAWN	PARTICULARS	OUTLINE DRAWING	DATE	JAN. 27. 1994
				MODEL	W-30-36-LAC-MB	NOTE	
					AIR WINCH	297-107	
SAN-EI SEIKI SEISAKUSHO CO., LTD.					DWG. No.	E398-007	SCALE



MICHIGAN PNEUMATIC TOOL, INC.

MP-W3036LACMB

6600 lb. Long Drum Winch w/ Manual Brake





MICHIGAN PNEUMATIC TOOL, INC.

MP-W3036LACMB

6600 lb. Long Drum Winch w/ Manual Brake

REV	REVISION	DATE	BY
△			

No.	PART NUMBER	PARTS NAME	Q'TY	REMARKS	No.	PART NUMBER	PARTS NAME	Q'TY	REMARKS
1	E397-2801	Crank Case	1		35	E397-28035	Hex. Socket Cap Screw	4	M10x45
2	E397-2802	Crank Case Packing	1		36	SW1-10	Spring Washer	4	10
3	E397-2803	Oil Plug	1		37	E397-28037	Poppet Valve	1	
4	E397-2804	Oil Gauge	1		38	E397-28038	Poppet Valve Spring	1	
5	E397-2805	Plug	1	1/2B	39	E397-28039	1-1/4 Plug	1	
6	E397-2806	Crank Complete	1	Set	40	E397-28040	1-1/2 Plug	1	
7	B-6209	Ball Bearing	2	8209	41	OR-P38	O Ring	1	P38
8	E397-2808	Shaft Sleeve	1		42	OR-P44	O Ring	1	P44
9	E397-2809	Connecting Rod	4		43	E397-28043	Control Valve Sleeve	1	
10	E397-28010	Rod Bearing	1		44	E397-28044	Control Valve	1	
11	E397-28011	Rod Ring	2		45	B-6005	Ball Bearing	1	6005
12	E397-28012	Piston	4		46	B-6006	Ball Bearing	1	6006
13	E397-28013	Piston Pin	4		47	E397-28047	Hex. Socket Set Screw	1	M6x12
14	E397-28014	Piston Circle Clip	8		48	E397-28048	Control Lever	1	
15	E397-28015	Piston Ring	4		49	E397-28049	Lever Spring	1	
16	E397-28016	Oil Ring	4		50	E397-28050	Spring Support	2	
17	E397-28017	Cylinder	4		51	SB-0475	Ball	1	#15
18	E397-28018	Cylinder Packing	4		52	E397-28052	Valve Cover	1	
19	E397-27418	Hex. Bolt	24	M12x30	53	E397-28053	Valve Cover Packing	1	
20	E397-28020	Cylinder Bolt Washer	12		54	E397-28054	Valve Body Bolt	4	
21	SW2-12	Spring Washer	12	12	55	E397-28055	Hex. Nut	4	M12
22	E397-28022	Valve Coupling	1		56	SW2-12	Spring Washer	4	12
23	SNP-420	Spring Pin	1	#4x20	57	E397-28057	Hex. Bolt	2	M10x50
24	E397-28024	Oil Guide	1		58	SW2-10	Spring Washer	2	10
25	E397-28025	Cross Recessed Head Screw	2	M6x20	59	PHP-T20	Hex. Socket Plug	1	1/4B
26	E397-28026	Valve Sleeve	1		60	E397-27450	Hex. Bolt	8	M12x35
27	E397-28027	Rotary Valve	1		61	SW2-12	Spring Washer	8	12
28	E397-28028	Valve Body	1						
29	E397-28029	Valve Body Packing	1						
30	E397-28030	Hex. Socket Set Screw	1	M8x25					
31	E397-28031	Hex. Nut	1	M8-3					
32	E397-28032	Thrust Bearing	1	2911					
33	E397-28033	Control Valve Body	1						
34	E397-28034	Control Valve Body Packing	1						

ASSEMBLY DRAWING: E397-278

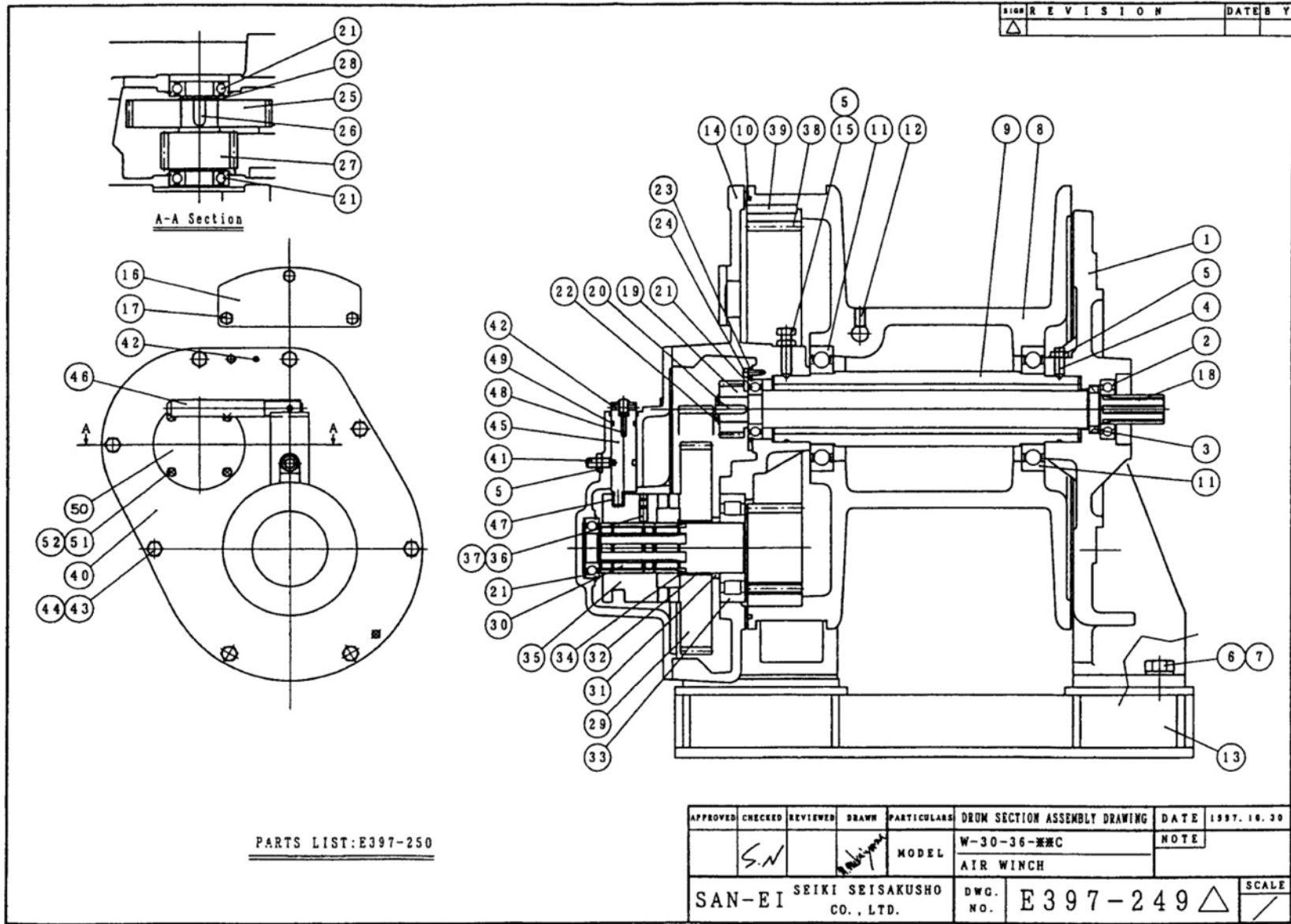
APPROVED	CHECKED	REVIEWED	DRAWN	PARTICULARS	PARTS LIST	DATE	1997.11.07
<i>[Signature]</i>	<i>[Signature]</i>		<i>[Signature]</i>	MODEL	DM36-HFS5		NOTE
					AIR MOTOR		
SAN-EI SEIKI SRISAKUSHO CO., LTD.					DWO. NO.	E397-279	SCALE



MICHIGAN PNEUMATIC TOOL, INC.

MP-W3036LACMB

6600 lb. Long Drum Winch w/ Manual Brake





MICHIGAN PNEUMATIC TOOL, INC.

MP-W3036LACMB

6600 lb. Long Drum Winch w/ Manual Brake

REVISION	DATE	BY
△ Correction	7/2/25	M.M.

No.	PART NUMBER	PARTS NAME	QTY	REMARKS	No.	PART NUMBER	PARTS NAME	QTY	REMARKS
1	E397-2491	Crank Case Cover	1		34	E397-25333	Retaining Ring	1	S60
2	B-6207ZZ	Ball Bearing	1	6207	35	E397-24935	Clutch	1	
3	E397-2493	Oil Seal	1	SC40588	36	E397-24533	Plunger	1	PBF-10-KS
4	E397-2534	Hex.Socket Set Screw	1	M12x40	37	E397-24534	Hex.Socket Set Screw	1	M10x10
5	E397-27442	Hex. Nut	3	M12-3	38	E397-24938	Internal Gear	1	
6	E397-2456	High Grade Hex. Bolt	8	M20x60 (12.9)	39	E397-25338	Parallel Pin	2	∅10x60
7	E397-2457	Spring Washer	8	20	40	E397-24940	Gear Case Cover	1	
8	E397-2498L	Drum	1		41	E397-24538	Plunger	1	SP12-1
9	E397-2499L	Drum Shaft	1		42	SNP-628	Spring Pin	2	∅6x28
10	E397-24910	Packing	1		43	E397-24943	Hex. Bolt	8	M10x30 △
11	E397-24911	Ball Bearing	2	6217ZZ	44	SW2-10	Spring Washer	8	10
12	E397-24912	Hex.Socket Set Screw	1	M12x20	45	E397-24542	Clutch Eccentric	1	
13	E397-24913L	Bed	1		46	E397-24543	Clutch Lever	1	
14	E397-24914	Gear Case	1		47	E397-24544	Inner Ring	1	IR10x14x16
15	E397-24915	Drum Shaft Set Bolt	1		48	E397-24545	Plunger	1	SP-8-2
16	E397-24916	Gear Case Plate	1		49	OR-P24	O Ring	1	P24
17	E302-11135	Hex. Bolt	3	M8x25	50	E397-24950	Cover	1	
18	E397-24918L	Motor Shaft	1		51	E397-27049	Hex. Bolt	4	M6x20
19	E397-24919	First Pinion	1		52	SW2-6	Spring Washer	4	6
20	E397-24920	Key	1	10x8x33					
21	E397-24520	Ball Bearing	4	6207ZZNR					
22	SR-S30	Retaining Ring	1	S30					
23	E397-24923	Bearing Support	1						
24	CS-616	Hex.Socket Cap Screw	3	M6x16					
25	E397-24925	First Gear	1						
26	E397-24926	Key	2	14x9x30					
27	E397-24927	Second Pinion	1						
28	E397-2555	Retaining Ring	1	S45					
29	E397-24929	Second Gear	1						
30	E397-24930	Third Pinion	1						
31	E397-24931	Collar	1						
32	E397-24932	Gear Bushing	1	R-ML6040					
33	E397-24933	Roller Bearing	1	NJ312					

ASSEMBLY DRAWING: E397-249

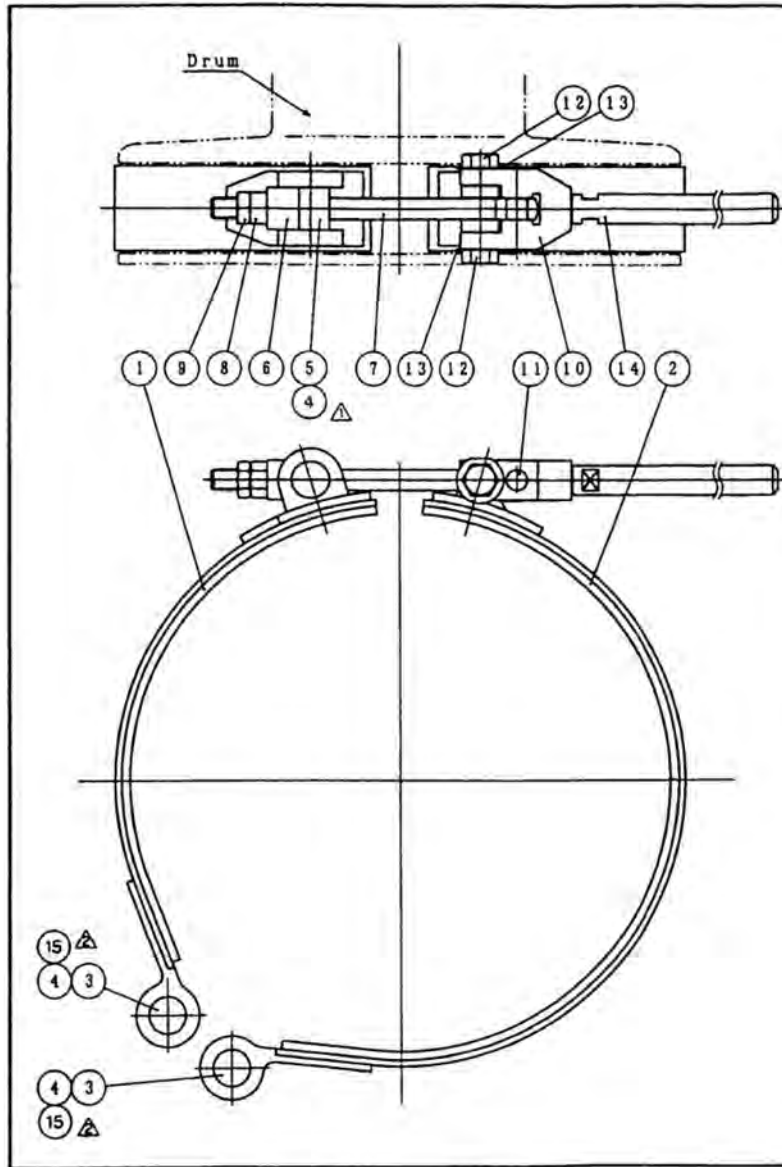
APPROVED	CHECKED	REVIEWED	DRAWN	PARTICULARS	DRUM SECTION PARTS LIST	DATE	1977. 18. 30
S.N.				MODEL	W-30-36-REC	NOTE	
					AIR WINCH		
SAN-EI SEIKI SEISAKUSHO CO., LTD.					DWG. NO.	E397-250	SCALE



MICHIGAN PNEUMATIC TOOL, INC.

MP-W3036LACMB

6600 lb. Long Drum Winch w/ Manual Brake



NO.	REVISION	DATE	BY
1	Correction	7/12/25	M.M.
2	Correction	7/24/24	M.M.

No.	PART NUMBER	PARTS NAME	QTY	REMARKS
1	E397-2581	Brake Assembly (A)	1Set	
2	E397-2582	Brake Assembly (B)	1Set	
3	E397-2583	Brake Connection Pin	2	
4	E397-25322	Retaining Ring	3	S35
5	E397-2585	Brake Pin	1	
6	E397-2586	Distance Piece	1	
7	E397-2587	Adjuster Bolt	1	
8	E397-2588	Hex. Nut	1	M20
9	E397-2589	Hex. Nut	1	M20-3
10	E397-25810	Brake Lever Block	1	
11	E397-25811	Parallel Pin	1	φ20x75
12	E397-25812	Lever Pin	2	
13	E397-25813	Lock Washer	2	20
14	E397-25711	Brake Lever	1	
15	E397-25815	Connection Collar	2	

*Not pictured

Model number with guard: **MP-W3036LACMBG**
 Guard Part Number: **E398-007G**

APPROVED	CHECKED	REVIEWED	DRAWN	PARTICULARS	BRAKE SECTION ASSEMBLY DRAWING	DATE	1987. 10. 20
				MODEL	W-30-36- MB -MB	NOTE	
					AIR WINCH		
SAN-EI SEIKI SEISAKUSHO CO., LTD.					DWG. NO.	E397-258	SCALE