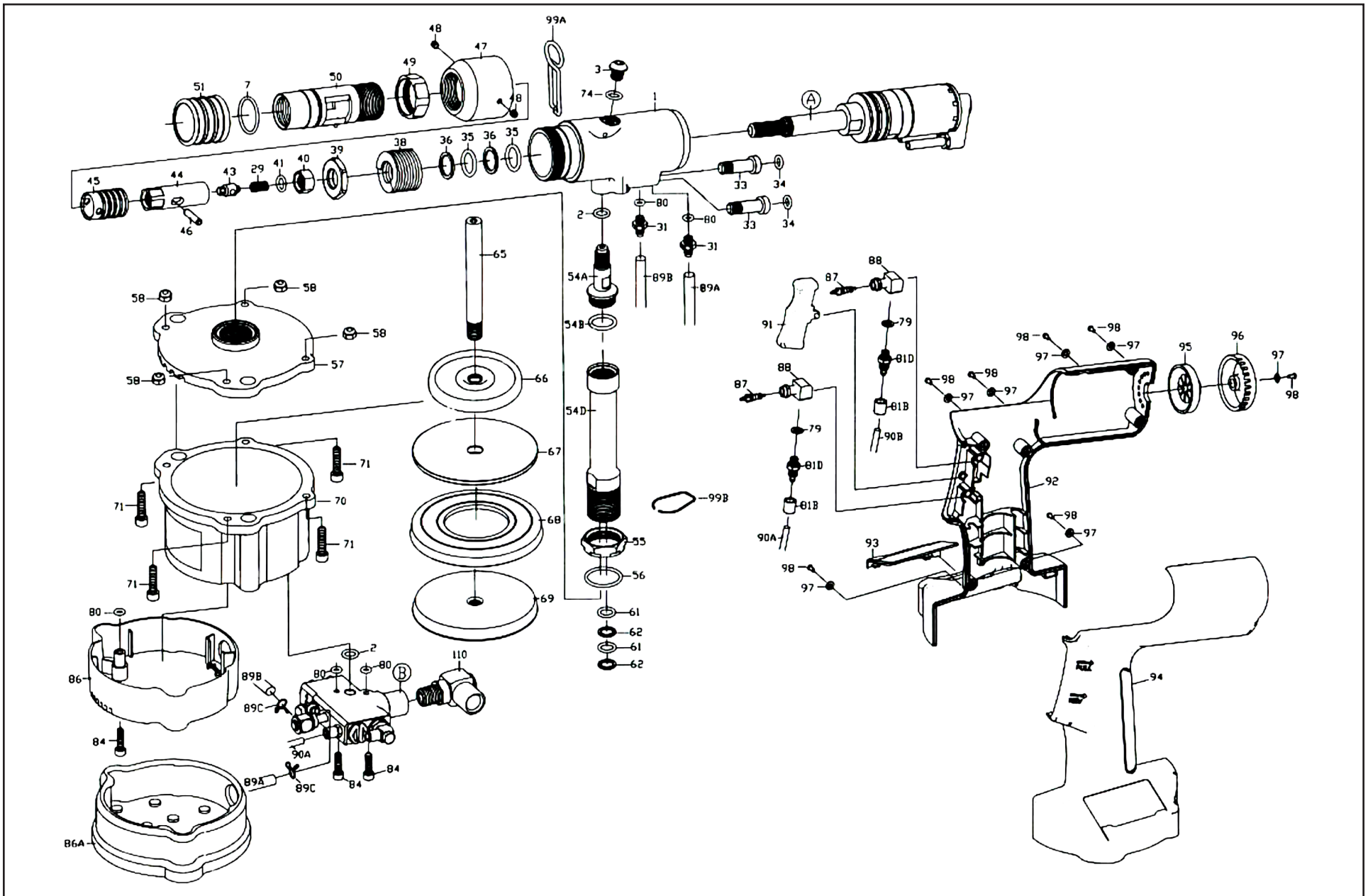




MICHIGAN PNEUMATIC TOOL, INC.

MP-SPS35038UK Air Rivet Nut Tool



6850 Middlebelt Rd. • Romulus, MI 48174 • 1-800-521-8104 • Ph: (313) 933-5890 • Fax: (313) 933-0440

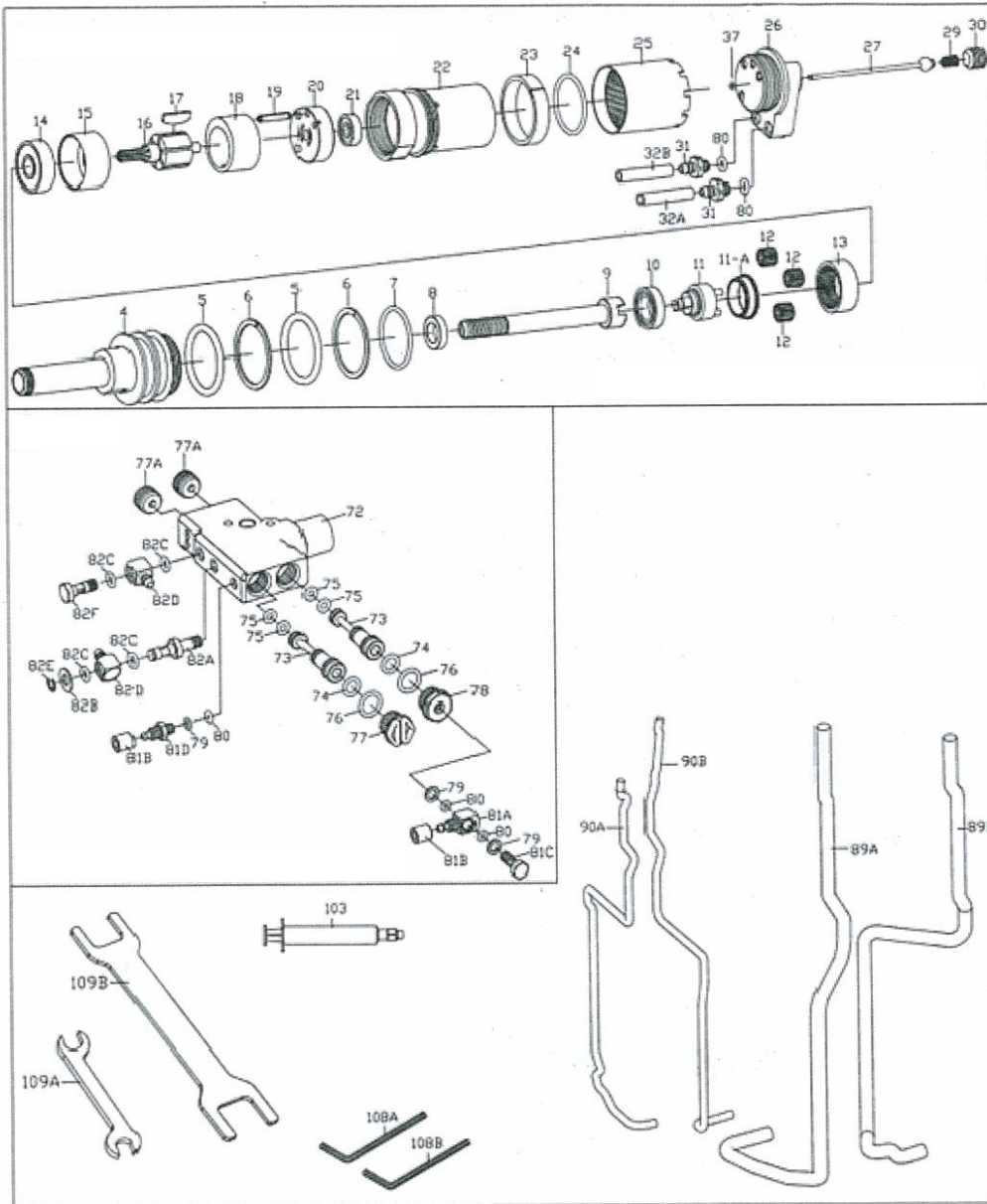
www.michiganpneumatic.com • e-mail: mpt@michiganpneumatic.com

07022020Rev7MME | NS



MICHIGAN PNEUMATIC TOOL, INC.

MP-SPS35038UK Air Rivet Nut Tool



Index	Part No.	Description	Qty.
01	SPS35038UK-01	Hydraulic Section	1
02	SPS35038UK-02	O-Ring	2
03	SPS35038UK-03	Set Screw	1
04	SPS35038UK-04	Hydraulic Plunger	1
05	SPS35038UK-05	O-Ring	2
06	SPS35038UK-06	Back-up Ring	2
07	SPS35038UK-07	O-Ring	2
08	SPS35038UK-08	Washer	1
09	SPS35038UK-09	Shaft	1
10	SPS35038UK-10	Ball Bearing	1
11	SPS35038UK-11	Gear Spindle	1
11A	SPS35038UK-11A	Position Guide	1
12	SPS35038UK-12	Gear	3
13	SPS35038UK-13	Ring Gear	1
14	SPS35038UK-14	Ball Bearing	1
15	SPS35038UK-15	Front End Plate	1
16	SPS35038UK-16	Rotor	1
17	SPS35038UK-17	Rotor Blade	6
18	SPS35038UK-18	Cylinder	1
19	SPS35038UK-19	Pin	1
20	SPS35038UK-20	Rear End Plate	1
21	SPS35038UK-21	Ball Bearing	1
22	SPS35038UK-22	Motor Cage	1
23	SPS35038UK-23	Seal	1
24	SPS35038UK-24	O-Ring	1
25	SPS35038UK-25	Muffler Cap	1
26	SPS35038UK-26	Motor Valve Body	1
27	SPS35038UK-27	Ball Valve Ass'y	1
29	SPS35038UK-29	Spring	2
30	SPS35038UK-30	Set Screw	1
31	SPS35038UK-31	Hose Connector (4x6)	4
32A	SPS35038UK-32A	4x6 PUHose (Reverse)-Orange	1
32B	SPS35038UK-32B	4x6 PUHose (Forward)-Black	1
33	SPS35038UK-33	Air Inlet Hose	2
34	SPS35038UK-34	O-Ring	2
35	SPS35038UK-35	Back-up Ring	2
36	SPS35038UK-36	Back-up Ring	2
37	SPS35038UK-37	O-Ring	1



MICHIGAN PNEUMATIC TOOL, INC.

MP-SPS35038UK Air Rivet Nut Tool

Index	Part No.	Description	Qty.
38	SPS35038UK-38	Spring	1
39	SPS35038UK-39	Nut	1
40	SPS35038UK-40	Nut	1
41	SPS35038UK-41	O-Ring	1
43	SPS35038UK-43	Hexagon Bit	1
44	SPS35038UK-44	Bolt Bushing	1
45	SPS35038UK-45	Adjustable Bushing	1
46	SPS35038UK-46	Spring	1
47	SPS35038UK-47	Front Cap Nut	1
48	SPS35038UK-48	Set Screw	2
49	SPS35038UK-49	Nut	1
50	SPS35038UK-50	Front Cap	1
51	SPS35038UK-51	Protection Sleeve	1
54A	SPS35038UK-54A	Hydraulic Tube Connector-B	1
54B	SPS35038UK-54B	O-Ring	1
54D	SPS35038UK-54D	Hydraulic Tube Connector-A	1
55	SPS35038UK-55	Nut	1
56	SPS35038UK-56	O-Ring	1
57	SPS35038UK-57	Upper Cover	1
58	SPS35038UK-58	Nut	4
61	SPS35038UK-61	O-Ring	2
62	SPS35038UK-62	Back-Up Ring	2
65	SPS35038UK-65	Plunger Rod	1
66	SPS35038UK-66	Bumper Ring	1
67	SPS35038UK-67	Front Head Disc	1
68	SPS35038UK-68	Packing Ring	1
69	SPS35038UK-69	Lower Plate	1
70	SPS35038UK-70	Air Cylinder Body	1
71	SPS35038UK-71	Set Screw	4
72	SPS35038UK-72	Valve Case	1
73	SPS35038UK-73	Valve Stem	2
74	SPS35038UK-74	O-RING	1
75	SPS35038UK-75	O-Ring	1
76	SPS35038UK-76	O-Ring	2
77	SPS35038UK-77	Insert Plug	2
78	SPS35038UK-78	Socket Screw	2

Index	Part No.	Description	Qty.
79	SPS35038UK-79	Washer	5
80	SPS35038UK-80	O-Ring	10
A	SPS35038UK-81A	Swivel	1
81B	SPS35038UK-81B	Cap	4
81C	SPS35038UK-81C	Socket	1
81D	SPS35038UK-81D	Socket	3
82A	SPS35038UK-82A	Socket	1
82B	SPS35038UK-82B	Washer	1
82C	SPS35038UK-82C	O-Ring	4
82D	SPS35038UK-82D	Swivel	2
82E	SPS35038UK-82E	Snap Ring	1
S-82F	SPS35038UK-82F	Set Screw	2
71	SPS35038UK-71	Set Screw	4
72	SPS35038UK-72	Valve Case	1
73	SPS35038UK-73	Valve Stem	4
74	SPS35038UK-74	O-RING	2
74A	SPS35038UK-74A	O-Ring	1
75	SPS35038UK-75	O-Ring	4
76	SPS35038UK-76	O-Ring	2
77	SPS35038UK-77	Insert Plug	2
77A	SPS35038UK-77A	Socket Screw	1
78	SPS35038UK-78	Inlet Plug	1
79	SPS35038UK-79	Washer	5
80	SPS35038UK-80	O-Ring	10
81A	SPS35038UK-81A	Swivel	1
81B	SPS35038UK-81B	Cap	4
81C	SPS35038UK-81C	Socket	1
81D	SPS35038UK-81D	Socket	3
82A	SPS35038UK-82A	Socket	1
82B	SPS35038UK-82B	Washer	1
82C	SPS35038UK-82C	O-Ring	4
82D	SPS35038UK-82D	Swivel	2
82E	SPS35038UK-82E	Snap Ring	1
82F	SPS35038UK-82F	Socket	2
84	SPS35038UK-84	Set Screw	3
86	SPS35038UK-86	Base	1



MICHIGAN PNEUMATIC TOOL, INC.

MP-SPS35038UK Air Rivet Nut Tool

Index	Part No.	Description	Qty.
86A	SPS35038UK-86A	Rubber Boot	1
87	SPS35038UK-87	Bleeding Valve	2
88	SPS35038UK-88	Valve Body	2
89A	SPS35038UK-89A	4x6 PUHose (Reverse)-Orange	1
89B	SPS35038UK-89B	4x6 PUHose (Forward)-Black	1
89C	SPS35038UK-89C	6mm Hose Loop	2
90A	SPS35038UK-90A	2.5x4 PUHose (Reverse)-Orange	1
90B	SPS35038UK-90B	2.5x4 PUHose (Forward)-Black	1
91	SPS35038UK-91	Trigger	1
92	SPS35038UK-92	Plastic Grip-Right	1
93	SPS35038UK-93	Battery Cap	1
94	SPS35038UK-94	Plastic Grip-Left	1
95	SPS35038UK-95	Muffler Cap Holder	1
96	SPS35038UK-96	Muffler Cap	1
97	SPS35038UK-97	Washer	7
98	SPS35038UK-98	Screw	7
99A	SPS35038UK-99A	Hanger	1
99B	SPS35038UK-99B	Hose Bind	1
103	SPS35038UK-103	Oiler	1
108A	SPS35038UK-108A	5mm Hex. Wrench	1
108B	SPS35038UK-108B	2mm Hex. Wrench	1
109A	SPS35038UK-109A	10X11 Wrench	1
109B	SPS35038UK-109B	27X30 Wrench	1
110	SPS35038UK-110	Air Inlet Ass'y	1

SPS35038UK-400 Service Kit

Index	Part No.	Description	Qty.
400-05	SPS35038UK-400-05	O-Ring	2
400-06	SPS35038UK-400-06	Back-Up Ring	2
400-07	SPS35038UK-400-07	O-Ring	3
400-08	SPS35038UK-400-08	Washer	1
400-17	SPS35038UK-400-17	Rotor Blade	6
400-35	SPS35038UK-400-35	O-Ring	2
400-36	SPS35038UK-400-36	Back-Up Ring	2
400-41	SPS35038UK-400-41	O-Ring	1
400-56	SPS35038UK-400-56	O-Ring	1
400-61	SPS35038UK-400-61	O-Ring	2
400-62	SPS35038UK-400-62	Back-Up Ring	2
400-74	SPS35038UK-400-74	O-Ring	2
400-74A	SPS35038UK-400-74A	O-Ring	1
400-75	SPS35038UK-400-75	O-Ring	4
400-80	SPS35038UK-400-80	O-Ring	10

Inch

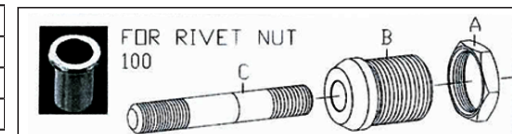
100-#8-32	258N22	Rivet Nut Head Assembly (#8-32)
A	258106	Nut
B	258B22	Nut Anvil (#8-32)
C	258A22	Bolt (#8-32)

100-1/4"-20	258N25	Rivet Nut Head Assembly (1/4"-20)
A	258106	Nut
B	258B25	Nut Anvil (1/4")
C	258A25	Bolt (#1/4"-20)

100-1/2"-13	258N28	Rivet Nut Head Assembly (1/2"-13)
A	258106	Nut
B	258B28	Nut Anvil (1/2")
C	258A28	Bolt (M1/2"-13)

100-#10-24	258N23	Rivet Nut Head Assembly (#10-24)
A	258106	Nut
B	258B23	Nut Anvil (#10-24)
C	258A23	Bolt (#10-24)

100-5/16"-18	258N26	Rivet Nut Head Assembly (5/16"-18)
A	258106	Nut
B	258B26	Nut Anvil (5/16")
C	258A26	Bolt (5/16"-18)



100-#10-32	258N24	Rivet Nut Head Assembly (#10-32)
A	258106	Nut
B	258B24	Nut Anvil (#10-32)
C	258A24	Bolt (#10-32)

100-3/8"-16	258N27	Rivet Nut Head Assembly (3/8"-16)
A	258106	Nut
B	258B27	Nut Anvil (3/8")
C	258A27	Bolt (#3/8"-16)

6850 Middlebelt Rd. • Romulus, MI 48174 • **1-800-521-8104** • Ph: (313) 933-5890 • Fax: (313) 933-0440

www.michiganpneumatic.com • e-mail: mpt@michiganpneumatic.com

07022020Rev7MME | NS