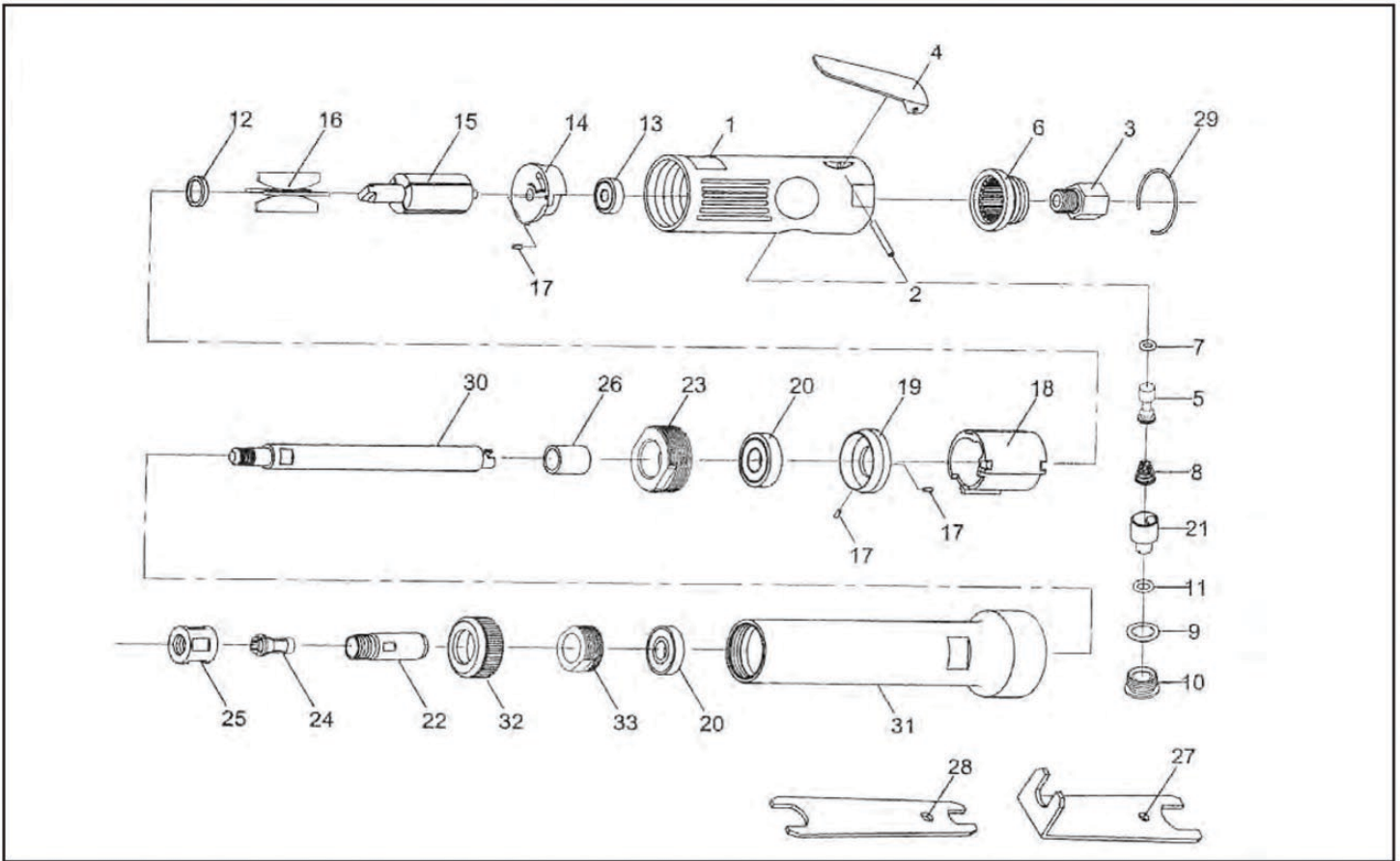




MICHIGAN PNEUMATIC TOOL, INC.

MP-SM-512E 1/4" Extended Die Grinder



Index	Part No.	Description	Qty.
1	51201	Motor Housing	1
2	30102	Spring Pin (Ø3*24L)	1
3	51203	Air Inlet	1
4	51204	Throttle Lever	1
5	51705	Valve Stem	1
6	51206	Exhaust Diffuser	1
7	70107	O-Ring (Ø4.8*Ø1.9)	1
8	51208	Valve Spring	1
9	70123	O-Ring (Ø11.8*Ø2.4)	1
10	51210	Throttle Valve Plug	1
11	40305	O-Ring (Ø6.5*Ø2)	1
12	51212	Rotor Bushing	1
13	030113	Ball Bearing (626ZZ)	1
14	51214	Rear End Plate	1
15	51215E	Rotor	1
16	51216	Rotor Blade	4
17	70117	Spring Pin (Ø2*5L)	3

Index	Part No.	Description	Qty.
18	70118	Cylinder	
19	51219	Front End Plate	
20	051220	Ball Bearing (6000ZZ)	
21	51221	Air Regulator	
22	51222	Spindle	
23	51223E	Retainer	
24	51224	Collet	
25	51225	Collet Nut	
26	51226E	Coupling	
27	51227	Angle Double Ended Wrench	
28	51228	Double Ended Wrench	
29	51229	Retainer Ring	
30	51230E	Extension Bar	
31	51231E	Extension Housing	
32	51232E	Cap	
33	51233E	Retainer	

Revised 02/27/09 - -BMB