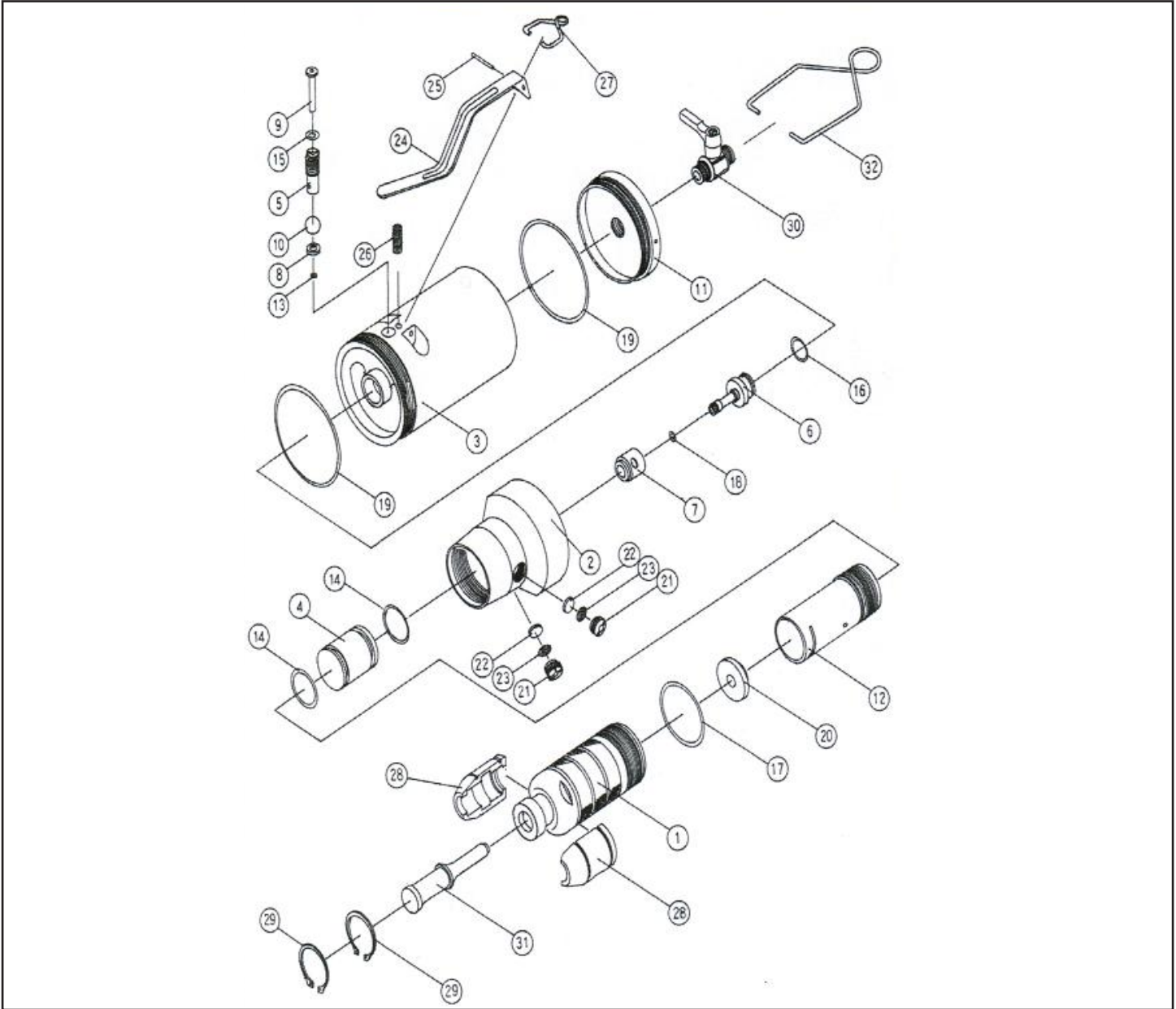




**MICHIGAN PNEUMATIC TOOL, INC.**

# MP-RH200 One Shot Hammer



Index	Part No.	Description	Qty.
1	RH200-1	Head Cylinder	1
2	RH200-2	Unit Cylinder	1
3	RH200-3	Switch Body	1
4	RH200-4	Hitting Piston	1
5	RH200-5	Set Screw	1
6	RH200-6	Valve Piston	1
7	RH200-7	Valve No. 1	1
8	RH200-8	Valve No. 2	1
9	RH200-9	Air Pin	1
10	RH200-10	Urethane Ball	1
11	RH200-11	Cap	1
12	RH200-12	Inner Cylinder	1
13	RH200-13	O-Ring	1
14	RH200-14	O-Ring	1
15	RH200-15	O-Ring	1
16	RH200-16	O-Ring	1

Index	Part No.	Description	Qty.
17	RH200-17	O-Ring	1
18	RH200-18	O-Ring	1
19	RH200-19	O-Ring	1
20	RH200-20	Cushion Rubber	1
21	RH200-21	Silencer Cap	1
22	RH200-22	Silencer	1
23	RH200-23	Silencer Net	1
24	RH200-24	Switch Lever	1
25	RH200-25	Spring Pin	1
26	RH200-26	Lever Spring	1
27	RH200-27	N-Hook	1
28	RH200-28	Rivet Snap Retainer	1
29	RH200-29	Snap Retaining Ring	1
30	RH200-30	Nipple with Stop Valve	1
31	RH200-31	Rivet Snap	1
32	RH200-32	Hanger	1