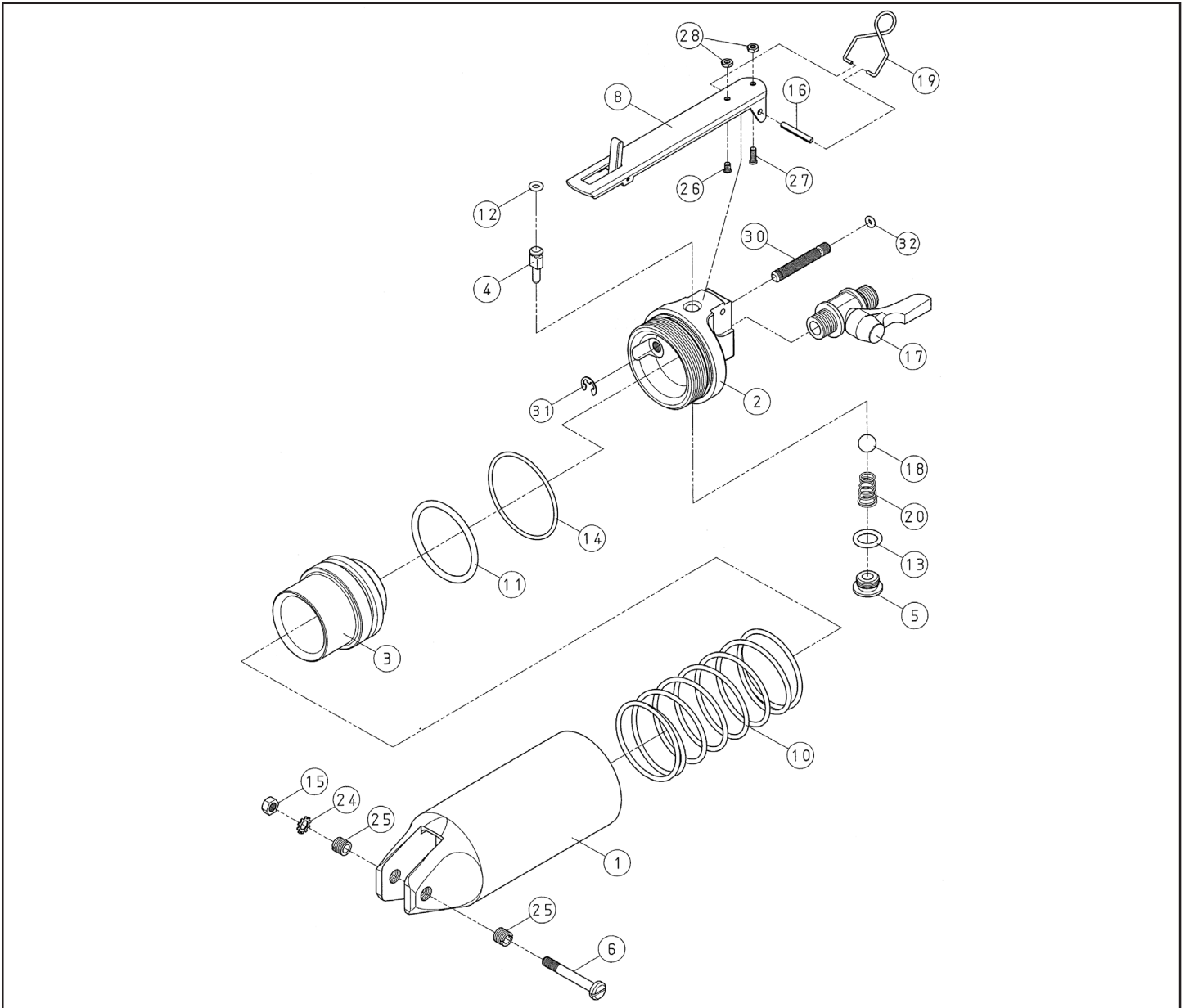




**MICHIGAN PNEUMATIC TOOL, INC.**

# MP-MR30A Nipper/Wire Trimmer



Index	Part No.	Description	Qty.
1	MR-30-01	Body A	1
2	MR-30A-02	Body B	1
3	MR-30-03	Piston	1
4	MR-30-04	Valve Pin	1
5	MR-30-05	Screw	1
6	MR-30-06	Screw Pin	1
7	MR-30-07 (P-6)	Blades (std.)	1
8	MR-30A-08	Safety Lever	1
8A	MR-30-08A	Lever (std.)	1
9	MR-30-09	Spring	1
10	MR-30-10	Spring	1
11	MR-30-11	O-Ring	1
12	MR-30-12	O-Ring	1
13	MR-30-13	O-Ring	1
14	MR-30-14	O-Ring	1

Index	Part No.	Description	Qty.
15	MR-30-15	Nut	1
16	MR-30-16	Spring Pin	1
17	MR-30A-17	Valve Switch	1
18	MR-30-18 (RB-325)	Urethane Ball	1
19	MR-30-19	Hanger	1
20	MR-30-20	Spring	1
24	MR-30-24	Washer	1
25	MR-30-25	Bushing	1
26	MR-30A-26	Screw	1
27	MR-30A-27	Screw	1
28	MR-30A-28	Nut	1
30	MR-30A-30	Valve	1
31	MR-30A-31	Snap Ring	1
32	MR-30A-32	O-Ring	1

08042015Rev3HMB | NP