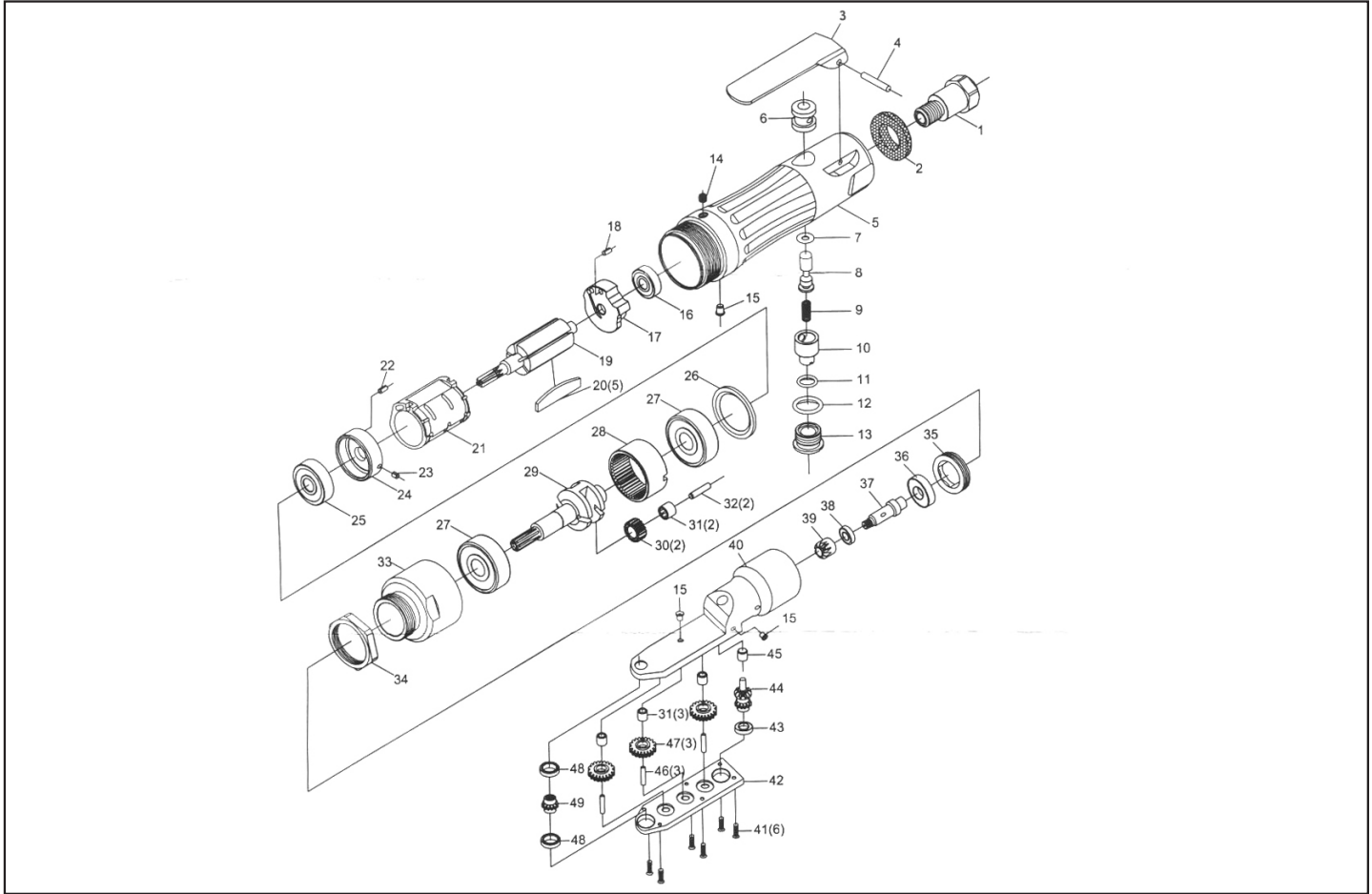




**MICHIGAN PNEUMATIC TOOL, INC.**

# MP-FD30161 90° Flat Offset Angle Drill



| Index | Part No. | Description    | Qty. |
|-------|----------|----------------|------|
| 1     | 30161-01 | Inlet          | 1    |
| 2     | 30161-02 | Muffler        | 1    |
| 3     | 30161-03 | Lever          | 1    |
| 4     | 30161-04 | Pin            | 1    |
| 5     | 30161-05 | Housing        | 1    |
| 6     | 30161-06 | Valve Bushing  | 1    |
| 7     | 30161-07 | O-Ring         | 1    |
| 8     | 30161-08 | Valve Stem     | 1    |
| 9     | 30161-09 | Valve Spring   | 1    |
| 10    | 30161-10 | Regulator      | 1    |
| 11    | 30161-11 | O-Ring         | 1    |
| 12    | 30161-12 | O-Ring         | 1    |
| 13    | 30161-13 | Plug           | 1    |
| 14    | 30161-14 | Set Screw      | 1    |
| 15    | 30161-15 | Grease Fitting | 3    |
| 16    | 30161-16 | Ball Bearing   | 1    |
| 17    | 30161-17 | End Plate      | 1    |
| 18    | 30161-18 | Locating Pin   | 1    |
| 19    | 30161-19 | Rotor          | 1    |
| 20    | 30161-20 | Vanes          | 5    |
| 21    | 30161-21 | Cylinder       | 1    |
| 22    | 30161-22 | Locating Pin   | 1    |
| 23    | 30161-23 | Locating Pin   | 1    |
| 24    | 30161-24 | Front Plate    | 1    |
| 25    | 30161-25 | Ball Bearing   | 1    |

| Index | Part No. | Description      | Qty. |
|-------|----------|------------------|------|
| 26    | 30161-26 | Spacer           | 1    |
| 27    | 30161-27 | Ball Bearing     | 2    |
| 28    | 30161-28 | Ring Gear        | 1    |
| 29    | 30161-29 | Carrier          | 1    |
| 30    | 30161-30 | Idler Gear       | 2    |
| 31    | 30161-31 | Needle Bearing   | 5    |
| 32    | 30161-32 | Pin              | 2    |
| 33    | 30161-33 | Adapter          | 1    |
| 34    | 30161-34 | Lock Nut         | 1    |
| 35    | 30161-35 | Lock Ring        | 1    |
| 36    | 30161-36 | Ball Bearing     | 1    |
| 37    | 30161-37 | Drive Spindle    | 1    |
| 38    | 30161-38 | Ball Bearing     | 1    |
| 39    | 30161-39 | Bevel Gear       | 1    |
| 40    | 30161-40 | Flat Housing     | 1    |
| 41    | 30161-41 | Screw            | 6    |
| 42    | 30161-42 | Flat Cover       | 1    |
| 43    | 30161-43 | Ball Bearing     | 1    |
| 44    | 30161-44 | Gear-Combination | 1    |
| 45    | 30161-45 | Needle Bearing   | 1    |
| 46    | 30161-46 | Pin              | 3    |
| 47    | 30161-47 | Idler Gear       | 3    |
| 48    | 30161-48 | Ball Bearing     | 2    |
| 49    | 30161-49 | Gear Spindle     | 1    |