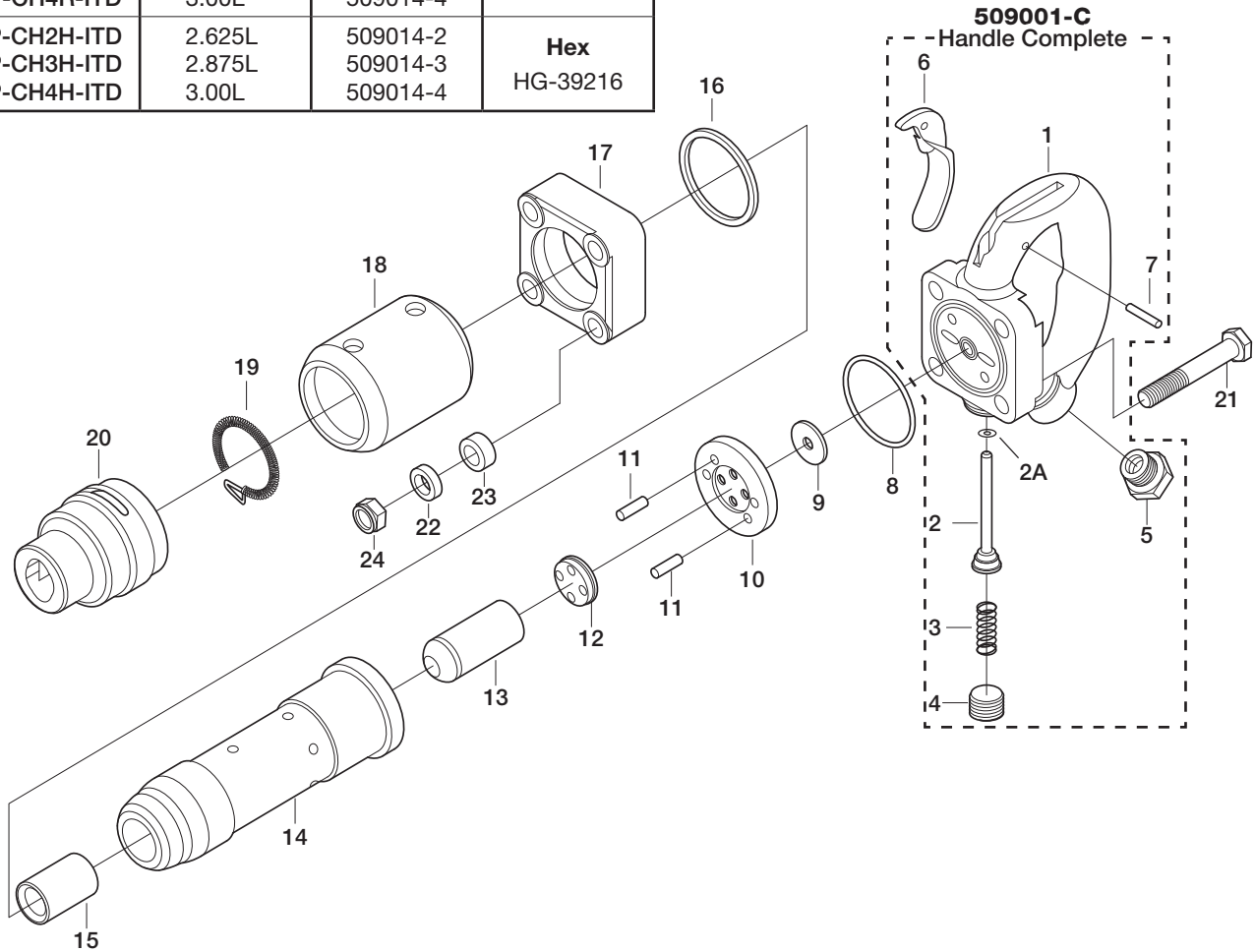




**MICHIGAN PNEUMATIC TOOL, INC.**

# "ITD" Series 4-Bolt Chipping Hammers

Model	Piston No.	Cylinder No.	Bushing No.
MP-CH2R-ITD	2.625L	509014-2	Round HG-39215
MP-CH3R-ITD	2.875L	509014-3	
MP-CH4R-ITD	3.00L	509014-4	
MP-CH2H-ITD	2.625L	509014-2	Hex HG-39216
MP-CH3H-ITD	2.875L	509014-3	
MP-CH4H-ITD	3.00L	509014-4	



Index	Part No.	Description	Qty.
1	509001	Handle	1
2	509002	Throttle Valve	1
2A	568-203BN70	O-Ring	1
3	509003	Spring	1
4	H-1	Throttle Cap	1
5	HG-39117	Inlet Bushing	1
6	509006	Trigger	1
7	SNP-4.25	Spring Pin	1
-	509001-C	Handle Complete	-
8	OR-6230-6	O-Ring	1
9	H-16	Valve	1
10	509010	Valve Seat	1
11	509011	Valve Dowel	2
12	509012	Valve Bumper	1
13	2.625L	Piston, 2" Stroke	1
-	2.875L	Piston, 3" Stroke	1

Index	Part No.	Description	Qty.
-	3.00L	Piston, 4" Stroke	
14	509014-2	Cylinder, 2" Stroke	1
-	509014-3	Cylinder, 3" Stroke	1
-	509014-4	Cylinder, 4" Stroke	1
15	HG-39215	Bushing, Round	1
-	HG-39216	Bushing, Hex	1
16	509016	Absorbing Ring	1
17	509017	Cylinder Flange	1
18	509018	Exhaust Deflector	1
19	1194-2	Lock Spring	1
20	1190-SUL1	Oval Collar Retainer	1
21	250027-485	Handle Bolt	4
22	250027-496	Handle Bolt Spacer	4
23	250027-495	Bumper Washer	4
24	250027-497	Handle Nut	4

06082017Rev6MME | NP