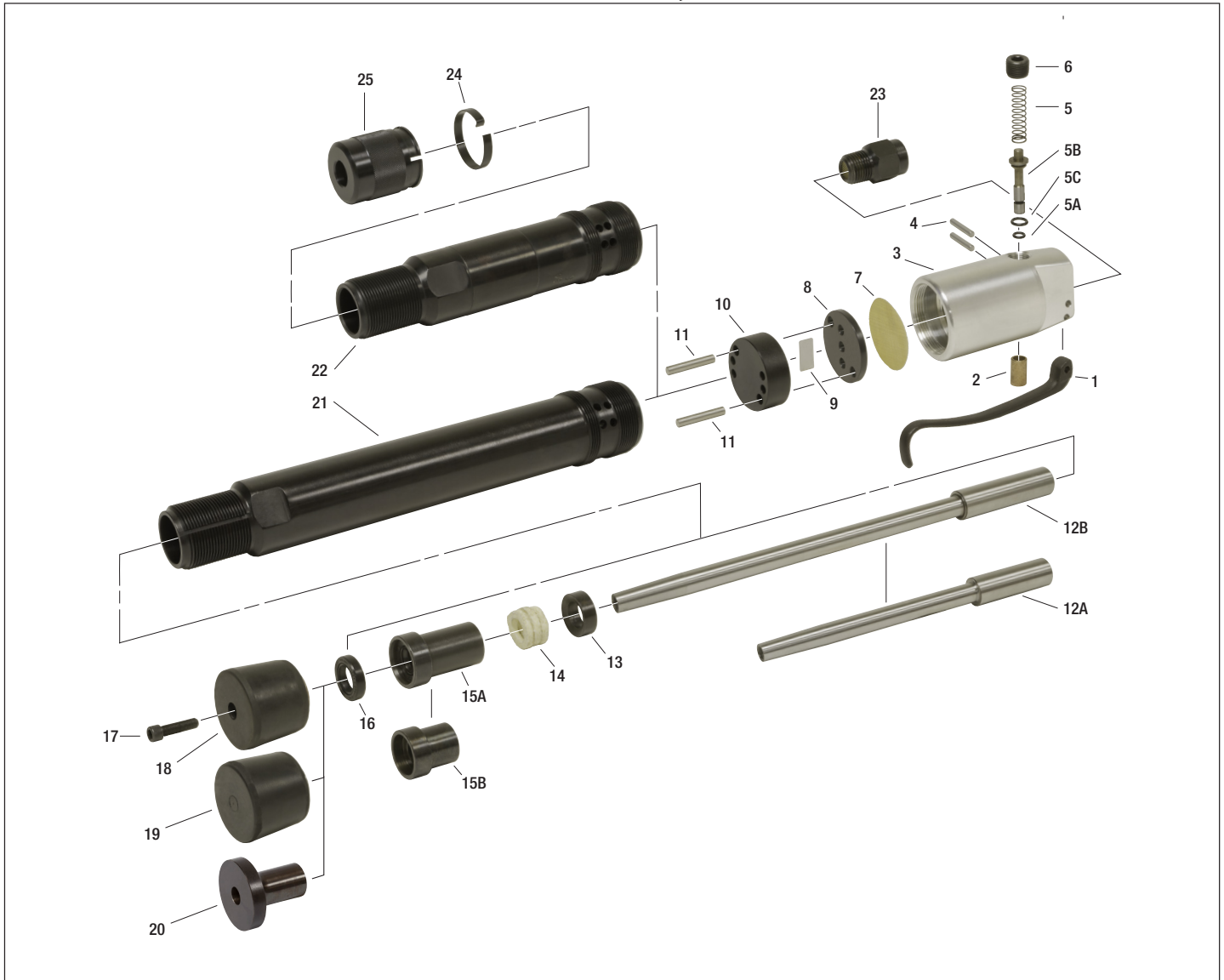




MICHIGAN PNEUMATIC TOOL, INC.

MP-BD2BA Rammer, 2-1/2" Stroke
MP-BD1BA Rammer, 4" Stroke



| Index | Part No. | Description | Qty. |
|-------|-----------|---------------------------------|------|
| 1 | 695542 | Lever | 1 |
| 2 | 695546 | Throttle Valve Bushing | 1 |
| 3 | 695539 | Backhead | 1 |
| 4 | 695773 | Throttle Lever Pin | 2 |
| 5 | 695547 | Throttle Valve Spring | 1 |
| 5A | OR-6227-3 | O-Ring | 1 |
| 5B | 695545 | Throttle Valve | 1 |
| 5C | OR-6227-6 | O-Ring | 1 |
| 6 | 696078 | Throttle Valve Spring Plug | 1 |
| 7 | 695538 | Screen | 1 |
| 8 | 695533 | Valve Block Lid | 1 |
| 9 | 695532 | Valve | 1 |
| 10 | 695534 | Valve Block | 1 |
| 11 | 695537 | Valve Block Dowel Pin | 2 |
| 12A | 695556 | Piston w/Thread (2-1/2" stroke) | 1 |

| Index | Part No. | Description | Qty. |
|-------|------------|-------------------------------------|------|
| 12B | 695525 | Piston w/Thread (4" stroke) | 1 |
| 13 | 695551 | Gland Washer | 1 |
| 14 | 695552 | Packing Set | 1 |
| 15A | 695550 | Gland Bushing (4") | 1 |
| 15B | 695566 | Gland Bushing (2-1/2") | 1 |
| 16 | 700073 | Front Rod Seal | 1 |
| 17 | TX-00203 | Socket Screw | 1 |
| 18 | 202-802-SP | Rubber Butt (Screw Type) | 1 |
| 19 | 202-802 | Rubber Butt (2-1/2") | 1 |
| 20 | TX-00202 | Steel Butt (2-1/2" Threaded) | 1 |
| 21 | 695531 | Cylinder (4" stroke) | 1 |
| 22 | 695564 | Cylinder (2-1/2") | 1 |
| 23 | 1994 | Inlet Bushing (1/2" MPT x 3/8" FPT) | 1 |
| 24 | 695553 | Packing Nut Lock Clip | 1 |
| 25 | 695549 | Packing Nut | 1 |

032613Rev3RTD | RS



MICHIGAN PNEUMATIC TOOL, INC.

Rubber Rammer Butts

Made of the finest neoprene to ensure uniformity of bonding. Highly resistant to oil and wear. Please specify tool model number and size of butt when ordering. Solid aluminum, steel and rectangular butts available.



201
1-3/4" Dia.



202
2-3/8" Dia.



203
3-1/4" Dia.



204
4" Dia.



205
5" Dia.

| Part No. | Taper |
|----------|-------|
| 201-802 | 802 |

| Part No. | Taper |
|----------|-------|
| 202-802 | 802 |

| Part No. | Taper |
|----------|-------|
| 203-802 | 802 |

| Part No. | Taper |
|----------|-------|
| 204-802 | 802 |

| Part No. | Taper |
|----------|-------|
| 205-802 | 802 |

| 802 Taper |
|--|
| MP-OB, BD2BA, BD1BA Master Power 1BA, 2BA B&D 5200, 5205 Cleco OB, 1B, 1F TX-70B, TX8-2, TX8-4 |

Butt Retaining Screws

Designed to retain 801, 802 and 803 series butts to the piston.



130SR-85



TX-00203

| Butt Screw Part No. | Thread | Tool Model |
|---------------------|----------|--------------------------------------|
| 130SR-85 | 5/16"-18 | MP-130 |
| TX-00203 | 3/8"-24 | MP-OB, MP-BD1BA, MP-BD2BA, MP-241 |

Steel Rammer Butts



200-802
2" Steel
802 Taper



200-802-BS
2" Steel
802 Taper
Screw-Type



300-802
3" Steel
802 Taper



300-802-SP
3" Steel
802 Taper
Screw-Type

| Part No. | Taper |
|------------|-------|
| 200-802 | 802 |
| 300-802 | 802 |
| 300-802-SP | 802 |

Specialty Rammer Butts with Screw Holes

Primarily used on MP-OB, BD2BA and BD1BA Series rammers with butt retainer screw. MPT is the only company that machines our piston to accommodate retainer bolt screws.

Rubber



202
2-3/8" Dia.



203
3-1/4" Dia.

Brass



202-802SP-BR
2-1/2" Dia. Brass

Nylon



202-802SP-NY
2-1/2" Dia. Nylon

| Part No. | Taper |
|-----------|-------|
| 202-802SP | 802 |

| Part No. | Taper |
|-----------|-------|
| 203-802SP | 802 |

| Part No. | Taper |
|--------------|-------|
| 202-802SP-BR | 802 |

| Part No. | Taper |
|--------------|-------|
| 202-802SP-NY | 802 |

Aluminum with Rubber Tip Butts



2010
2-3/8" Aluminum
with Rubber Tip



2515
3" Aluminum with
Rubber Tip



3525
3/4" x 2-3/8"
Aluminum with
Rubber Tip



4030
1" x 2-7/8"
Aluminum with
Rubber Tip

Aluminum Rammer Butts



275A-802
2-1/2" Aluminum
802 Taper



2009-SA802
2-1/2" Aluminum
802 Taper

| Part No. | Taper |
|----------|-------|
| 2010-802 | 802 |

| Part No. | Taper |
|----------|-------|
| 2515-802 | 802 |

| Part No. | Taper |
|----------|-------|
| 3525-802 | 802 |

| Part No. | Taper |
|----------|-------|
| 4030-802 | 802 |

| Part No. | Taper |
|----------|-------|
| 275A-802 | 802 |

| | |
|------------|-----|
| 2009-SA802 | 802 |
|------------|-----|