



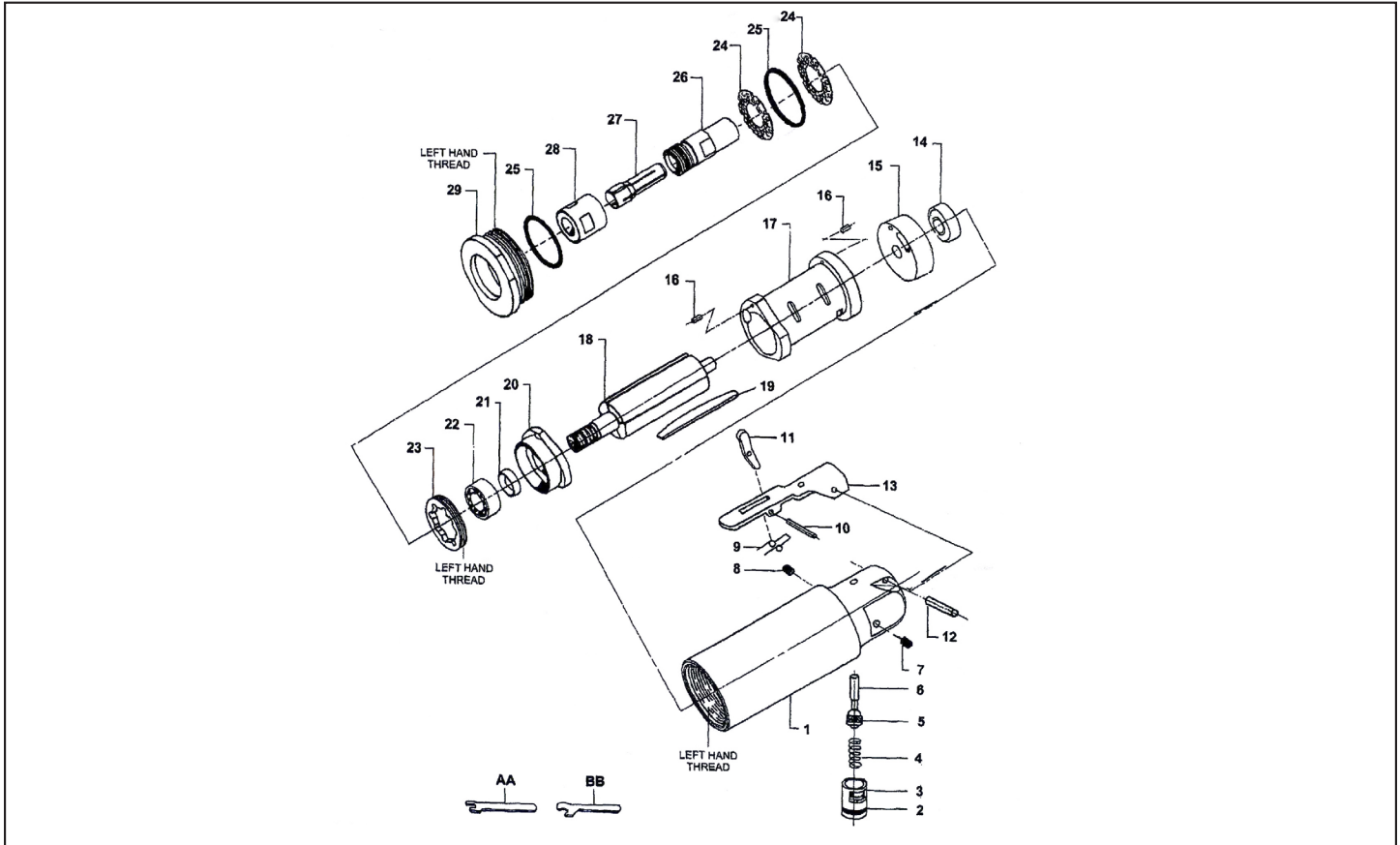
MICHIGAN PNEUMATIC TOOL, INC.

MP-9113-14 1/4" Die Grinder, Steel Housing

MP-9113-38 3/8" Die Grinder, Steel Housing

MP-9113A-14 1/4" Die Grinder, Aluminum Housing

MP-9113A-38 3/8" Die Grinder, Aluminum Housing



Index	Part No.	Description	Qty.
1	G-3649	Motor Housing - Steel	1
	G-3649A	Motor Housing - Aluminum	1
2	G-3001	O-Ring	1
3	G-3180	Throttle Valve Cap	1
	G-3180-18	18,000 rpm Throttle Valve Cap	1
4	G-3181	Throttle Valve Spring	1
5	G-3083	O-Ring	1
6	G-3179	Throttle Valve	1
7	GA-3193	Set Screw - Dognose	1
8	GA-3293	Set Screw - Blunt	1
9	G-3855	Cam Spring	1
10	G-3155	Cam Pin	1
11	G-3105	Lever Cam	1
12	G-3089	Lever Pin	1
13	G-3106	Safety Throttle Lever	1
14	G-3412	Rear End-Plate Bearing	1
15	G-3182	Rear End Plate	1

Index	Part No.	Description	Qty.
16	G-3791	Liner Pins	2
17	G-3183	Liner	1
18	G-3184	Rotor	1
19	G-3191	Rotor Blades	4
20	G-3185	Front End Plate	1
21	G-3192	Bearing Spacer	1
22	G-3326	Front End-Plate Bearing	1
23	G-3187	Motor Nut Blamp	1
24	G-3859	Noise Reduction Washer	2
25	G-3515	O-Ring	2
26	G-3256	Shank	1
27	C-1028-0.250	Collet 1/4"	1
	C-1028-0.375	Collet 3/8"	1
28	G-3255	Collet Nut	1
29	G-3749	Protection Nut	1
AA	G-3327	Collet Wrench	1
BB	G-3858	Spindle Wrench	1