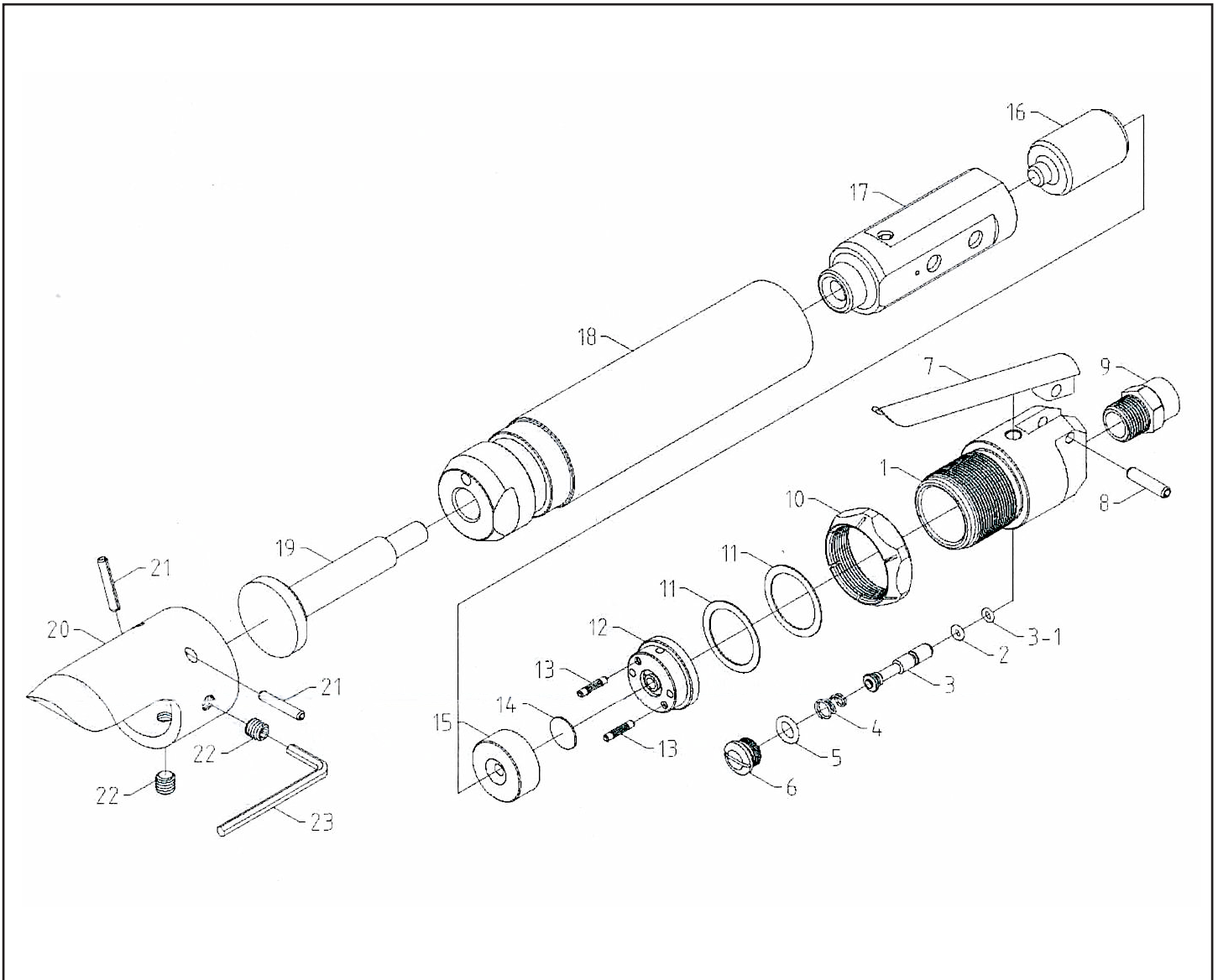




MICHIGAN PNEUMATIC TOOL, INC.

MP-7801S-PIT Air Pittsburgh Seam Lock Hammer



Index	Part No.	Description	Qty.
1	P124-26801	Backhead	1
2	P110-26802	O-Ring (D3.2W1.9)	1
3	P127-26803	Valve Stem	1
3-1	P110-268031	O-Ring (D3.5*W1.5)	1
4	P108-26804	Valve Spring	1
5	P110-11002	O-Ring (D7.8*W2.4)	1
6	P113-11001	Valve Cap	1
7	P111-26807	Lever	1
8	P129-26808	Spring Pin (05*22L)	1
9	P125-24213	Inlet Bushing (1/4")	1
10	P114-26810	Lock Spring	1
11	P-132-26828	Washer	2

Index	Part No.	Description	Qty.
12	P130-26829	Upper Valve Case	1
13	P129-26930	Dowel Pin (03*16L)	2
14	P131-26831	Valve Disc	1
15	P130-26832	Lower Valve Case	1
16	P120-26833	Piston	1
17	P151-26835	Piston Sleeve	1
18	P118-268P18	Barrel	1
19	P112-268P19	Driver	1
20	P157-268P20A	Guide	1
21	P129-268P21	Spring Pin (04*24L)	2
22	P116-20308	Socket Set Screw (5/16")	2
23	P158-27231	Hex Wrench (4mm)	1