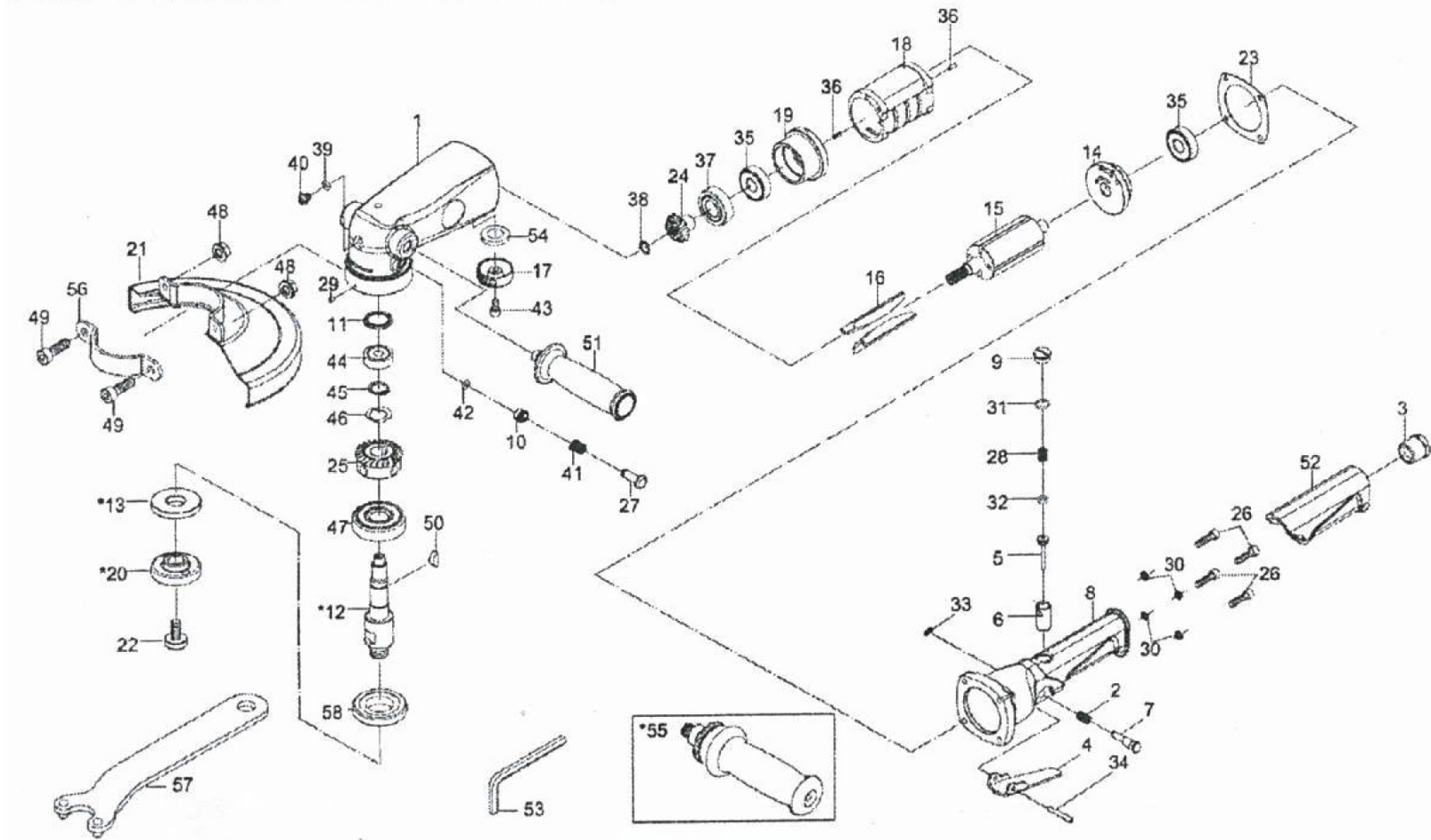




MICHIGAN PNEUMATIC TOOL, INC.

MP-717A-ST 7" Angle Grinder





MICHIGAN PNEUMATIC TOOL, INC.

MP-717A-ST 7" Angle Grinder

Index	Part No.	Description	Qty.
1	5G-619701	Motor Housing	1
2	5G-619702	Spring	1
3	5G-619703	Air Inlet	1
4	5G-619704	Lever	1
5	5G-619705	Valve Pin	1
6	5G-619706	Valve Bushing	1
7	5G-619707	Safe Lever	1
8	5G-619709	Rear Housing	1
9	5G-619710	Valve Screw	1
10	5G-619711	Screw	1
11	5G-619713	Spacer	1
*12	5G-619824-11	Gear Shift (5/8-11UNC)	1
	5G-619824-12	Gear Shift (M14x2)	1
*13	5G-619838-11	Flange	1
	5G-619838-12	Flange	1
14	5G-619714	End Plate	1
15	5G-619715	Rotor	1
16	5G-619716	Rotor Blade	4
17	5G-619720	Exhaust Deflector	1
18	5G-619718	Cylinder	1
19	5G-619719	Front End Plate	1
*20	5G-619840-11	Flange Nut (5/8-11UNC)	1
	5G-619840-12	Flange Nut (M14x2)	1
21	5G-619829	Disc Cover	1
22	5G-619810	Screw	1
23	5G-619731	Gasket	1
24	5G-619732	Pinion Gear	1
25	5G-619733	Bevel Gear	1
26	5G-619734	Screw (M5x20L)	4
27	5G-619735	Shaft	1
28	5G-619736	Spring	1

Index	Part No.	Description	Qty.
29	5G-619737	Screw (M4x0.7P)	1
30	40344	Spring Washer (M5)	4
31	70109	O-Ring (9.8*1.9)	1
32	OR00600200	O-Ring (6*2)	1
33	62047	E-Ring (ETW-4)	1
34	SP04002500	Spring Pin (4x25L)	1
35	080227	Ball Bearings (6201z)	2
36	04317-14	Spring Pin (3x8L)	2
37	061932	Ball Bearing (62022zz)	1
38	ISTW-9	Retaining Ring	1
39	61907	O-Ring (4.9x2.2)	1
40	61927	Screw (M6x1.0P)	1
41	70108	Spring	1
42	59235	O-Ring (4.47*1.78)	1
43	62039	Screw (M5x10L)	1
44	0206013	Ball Bearing (629zz)	1
45	STW-15	Retaining Ring (STW-15)	1
46	WW-15.5	Spring Washer (WW-15.5)	1
47	06303ZZ	Ball Bearing (6303zz)	1
48	5G-619747	Nut (M8)	2
49	5G-619748	Screw (M8x25L)	2
50	HK050000800	Key	1
51	5D-619256	Handle	1
52	5G-619752	Rubber Grip	1
53	10020	Hex Key Wrench (6mm)	1
54	5G-619750	Damping Material	1
*55	5G-619753	Vibration Reduced Handle	1
56	5G-619746	Retainer	1
57	5G-641344	Pin Wrench	1
58	5G-619717	Lock Nut	1

*Optional Parts