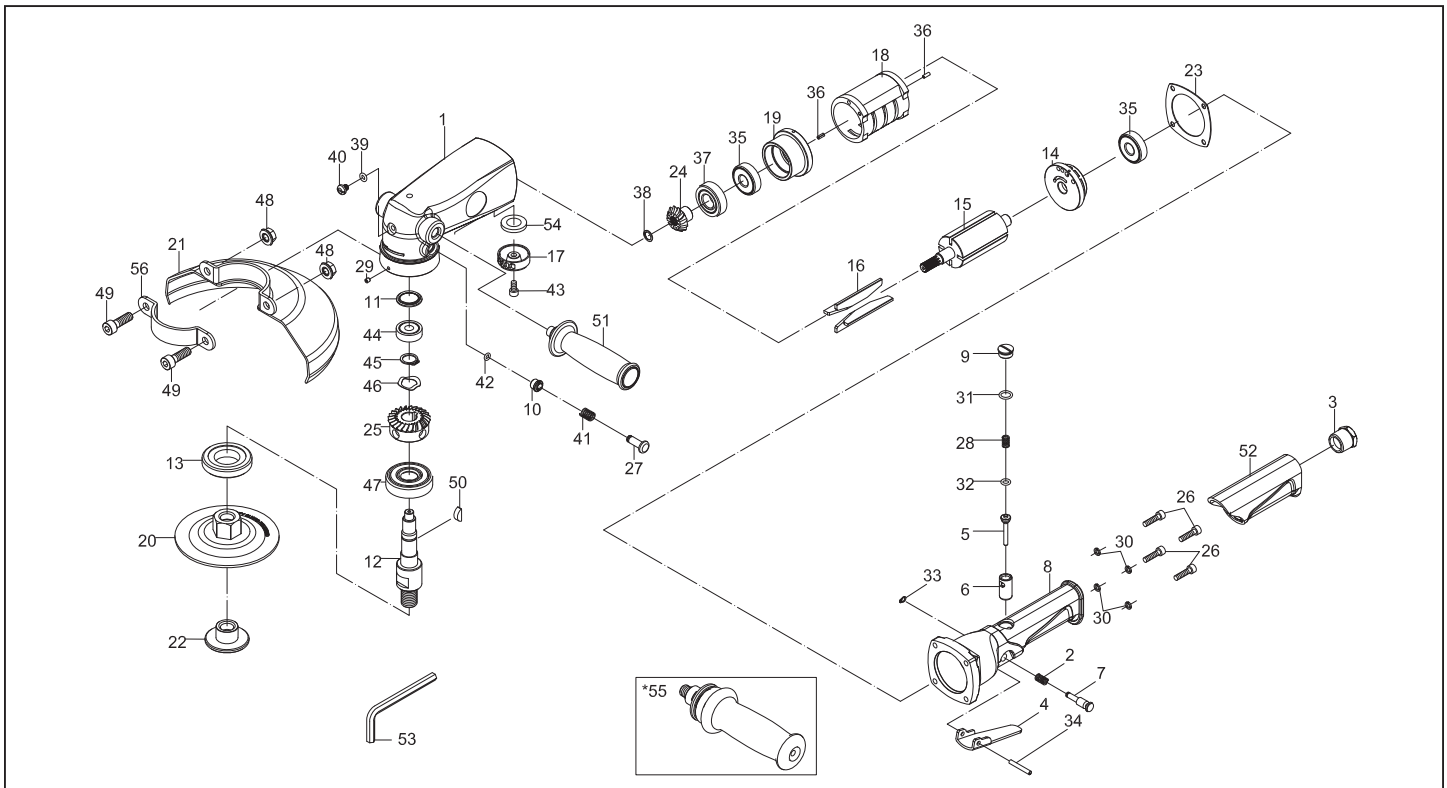




MICHIGAN PNEUMATIC TOOL, INC.

MP-7177G-ST 7" Angle Grinder



Index	Part No.	Description	Qty.	Index	Part No.	Description	Qty.
1	5G-619701	Motor Housing	1	29	5G-619737	Screw (M4x0.7P)	1
2	5G-619702	Spring	1	30	40344	Spring Washer (M5)	4
3	5G-619703	Air Inlet	1	31	70109	O-Ring (9.8*1.9)	1
4	5G-619704	Lever	1	32	OR00600200	O-Ring (6*2)	1
5	5G-619705	Valve Pin	1	33	62047	E-Ring ETW-4	1
6	5G-619706	Valve Bushing	1	34	SP04002500	Spring Pin (4x25L)	1
7	5G-619707	Safe Lever	1	35	080227	Ball Bearing (6201zz)	2
8	5G-619709	Governor Case	1	36	40317-14	Spring Pin (3x8L)	2
9	5G-619710	Valve Screw	1	37	061932	Ball Bearing (6202zz)	1
10	5G-619711	Screw	1	38	ISTW-9	Retaining Ring	1
11	5G-619713	Spacer	1	39	61907	O-Ring (4.9x2.2)	1
12	5G-619724-11	Gear Shaft (5/8-11UNC)	1	40	61927	Screw (M6x10L)	1
13	5G-619717	Lock Nut	1	41	70108	Spring	1
14	5G-619714	End Plate	1	42	59235	O-Ring (4.47*1.78)	1
15	5G-619715	Rotor	1	43	62039	Screw (M5x10L)	1
16	5G-619716	Rotor Blade	4	44	0206013	Ball Bearing (629zz)	1
17	5G-619720	Exhaust Deflector	1	45	STW-15	Retaining Ring STW-15	1
18	5G-619718	Cylinder	1	46	WW-15.5	Spring Washer WW-15.5	1
19	5G-619719	Front End Plate	1	47	06303zz	Ball Bearing (6303zz)	1
20	5G-619727-11	Grindstone Base (5/8-11UNC)	1	48	5G-619747	Nut (M8)	2
21	5G-619729	Disc Cover	1	49	5G-619748	Screw (M8*25L)	2
22	5G-619730-11	Disc Nut (5/8-11UNC)	1	50	HK0500800	Key	1
23	5G-619731	Gasket	1	51	5D-619256	Handle	1
24	5G-619732	Pinion Gear	1	52	5G-619752	Rubber Grip	1
25	5G-619733	Bevel Gear	1	53	5G-619754	Hex Key Wrench (3/8")	1
26	5G-619734	Screw (M5x29L)	4	54	5G-619750	Damping Material	1
27	5G-619735	Shaft	1	*55	5G-619753	Vibration Reduced handle	1
28	5G-619736	Spring	1	56	5G-619746	Retainer	1