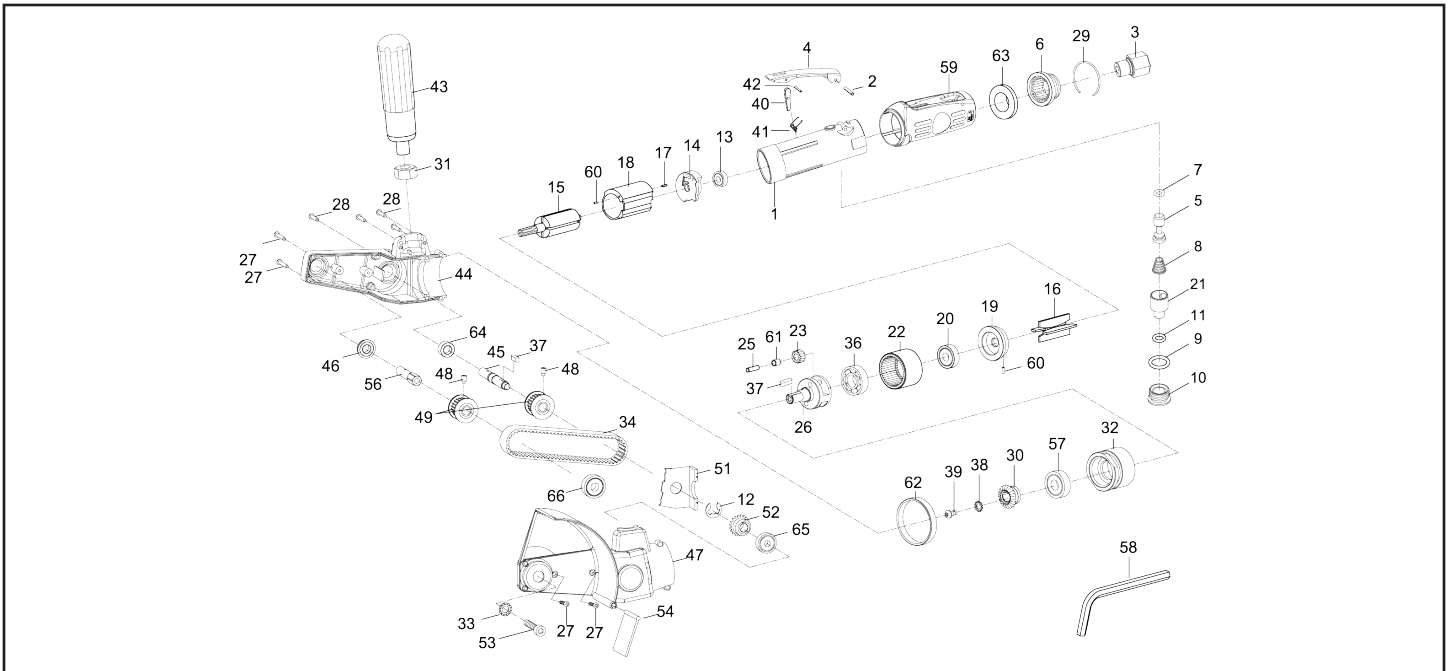




MICHIGAN PNEUMATIC TOOL, INC.

MP-6902K7-ST Utility In-Line Driver



Index	Part No.	Description	Qty.
1	301101	Motor Housing	1
2	30102	Spring Pin (3*24L)	1
3	51203	Air Inlet	1
4	6K-301104	Throttle Lever	1
5	6K-301105	Valve Stem	1
6	51206	Exhaust Deflector	1
7	70107	O-Ring (4.8*1.9)	1
8	51208	Spring	1
9	70123	O-Ring (11.8*2.4)	1
10	51210	Throttle Valve Plug	1
11	40305	O-Ring (6.5*2)	1
12	690112	E-Ring (ETW-8)	1
13	052213	Ball Bearing (696ZZ)	1
14	301114	End Plate	1
15	95-301115	Rotor	1
16	512216	Rotor Blades	4
17	30117	Spring Pin (1.5*6L)	1
18	512218	Cylinder	1
19	95-301119	Front End Plate	1
20	030120	Ball Bearing (608ZZ)	1
21	51221	Air Regulator	1
22	70922	Internal Gear	1
23	690146	Planet Gear	2
25	746425	Pin	2
26	690126	Planet Cage	1
27	690127	Tapping Screw (TS2.9*20L)	4
28	690128	Tapping Screw (TS2.9*16L)	8
29	51229	Retaining Ring	1
30	690130	Bevel Gear	1
31	690131	Nut	1
32	690132	Housing Cap	1

Index	Part No.	Description	Qty.
33	690133	Toothed Washer	1
34	690134	Toothed Belt	1
36	040313	Ball Bearing (6001Z)	1
37	690121	Key (3*10)	2
38	690111	Toothed Washer (BW-4.5)	1
39	690110	Screw	1
40	522239	Safety Bar	1
41	522212	Spring	1
42	51542	Spring Pin (2*18L)	1
43	690137	Handle	1
44	690107	Plastic Housing (R)	1
45	690120	Belt Drive Shaft	1
46	0690108	Ball Bearing (LF-688ZZ)	1
47	690108	Platic Housing (L)	1
48	690117	Set Screw (M4)	2
49	690109	Toothed Pulley	2
51	690113	Inner Bulkhead	1
52	690122	Bevel Gear	1
53	20523	Hexagonal Hole Screw (M6*25L)	1
54	690136	Dust Cover	1
56	690123	Spindle	1
57	051220	Ball Bearing (6000ZZ)	1
58	10018	Hex Key Wrench (5mm)	1
59	512252	Grip	1
60	30117-22	Spring Pin (1.5*4)	2
61	690145	Bushing	2
62	95-301120	Decoration Ring	1
63	51250	Muffler	1
64	0688ZZ	Ball Bearing (688ZZ)	1
65	030113	Ball Bearing (626ZZ)	1
66	030120-12	Ball Bearing (608RS)	1

10142015Rev2HMB | NP