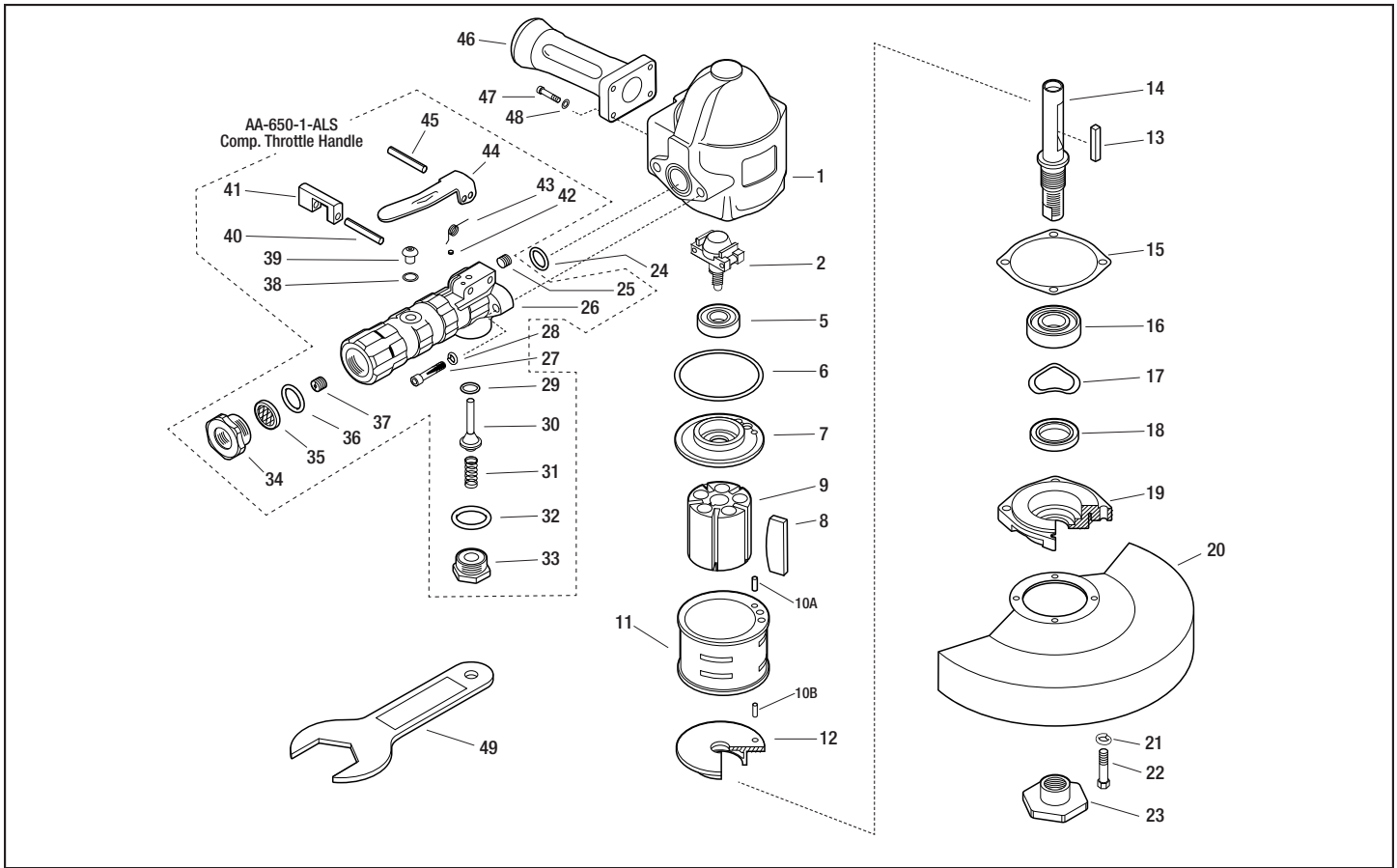




**MICHIGAN PNEUMATIC TOOL, INC.**

**MP-5669VS-ORANGE**

Vertical Grinder w/ 9" Guard



| Index | Part No.     | Description                           | Qty. |
|-------|--------------|---------------------------------------|------|
| 1     | 560-1        | Motor Housing                         | 1    |
| 2     | AA-550-60    | 6000 RPM Governor                     | 1    |
| 5     | 700-9        | Bearing (Upper)                       | 1    |
| 6     | 550-13       | Rear Gasket                           | 1    |
| 7     | 550-3        | Rear End Plate                        | 1    |
| 8     | 550-6        | Rotor Blades                          | 5    |
| 9     | 550-5        | Rotor                                 | 1    |
| 10A   | 700-37       | Cylinder Pin                          | 1    |
| 10B   | SNP-3.49.6   | Cylinder Pin                          | 1    |
| 11    | 550-2        | Cylinder                              | 1    |
| 12    | 560-10       | Front End Plate                       | 1    |
| 13    | 550-10       | Key                                   | 1    |
| 14    | 550-8        | Spindle                               | 1    |
| 15    | 560-1-BTG    | Gasket                                | 1    |
| 16    | 700-7        | Bearing (Lower)                       | 1    |
| 17    | 560-20       | Wave Spring Washer                    | 1    |
| 18    | 650-H-14     | Seal                                  | 1    |
| 19    | 550-1-B      | Bearing Support                       | 1    |
| 20    | 700-201      | 9" Guard                              | 1    |
| 21    | 700-46       | Lock Washer                           | 4    |
| 22    | 700-47A      | Cap Screw                             | 4    |
| 23    | 550-12-B     | Wheel Flange                          | 1    |
| 24    | 700-30       | O-Ring                                | 1    |
| -     | AA-650-1-ALS | Throttle Handle Comp. (Incl. * parts) | -    |
| 25    | 400-37*      | Pipe Plug                             | 1    |

| Index | Part No.   | Description                           | Qty. |
|-------|------------|---------------------------------------|------|
| 26    | 650-1-ALS* | Throttle Handle                       | 1    |
| 27    | 700-48     | Cap Screw                             | 2    |
| 28    | 700-54     | Lock Washer                           | 2    |
| 29    | 200-9*     | O-Ring                                | 1    |
| 30    | 560-13*    | Throttle Valve Assembly (Incl. 200-9) | 1    |
| 31    | 650-51*    | Throttle Valve Spring                 | 1    |
| 32    | 650-118*   | O-Ring                                | 1    |
| 33    | 700-S-26*  | Throttle Valve Cap                    | 1    |
| 34    | 550-33*    | Inlet Cap                             | 1    |
| 35    | 650-35*    | Air Screen                            | 1    |
| 36    | 650-61*    | Air Screen O-Ring                     | 1    |
| 37    | 400-33P*   | Oil Regulator                         | 1    |
| 38    | 832636*    | Oiler Seal                            | 1    |
| 39    | 700-23*    | Oiler Plug                            | 1    |
| 40    | 650-54*    | Lockout Pin                           | 1    |
| 41    | 650-56*    | Lockout                               | 1    |
| 42    | 650-57*    | Set Screw                             | 1    |
| 43    | 650-55*    | Lockout Spring                        | 1    |
| 44    | 550-38*    | Lever                                 | 1    |
| 45    | 550-50*    | Lever Pin                             | 1    |
| 46    | 550-1-C    | Assist Handle                         | 1    |
| 47    | 550-48     | Cap Screw                             | 4    |
| 48    | 550-54     | Lockwasher                            | 4    |
| 49    | 1100-200   | 2" End Wrench                         | 1    |