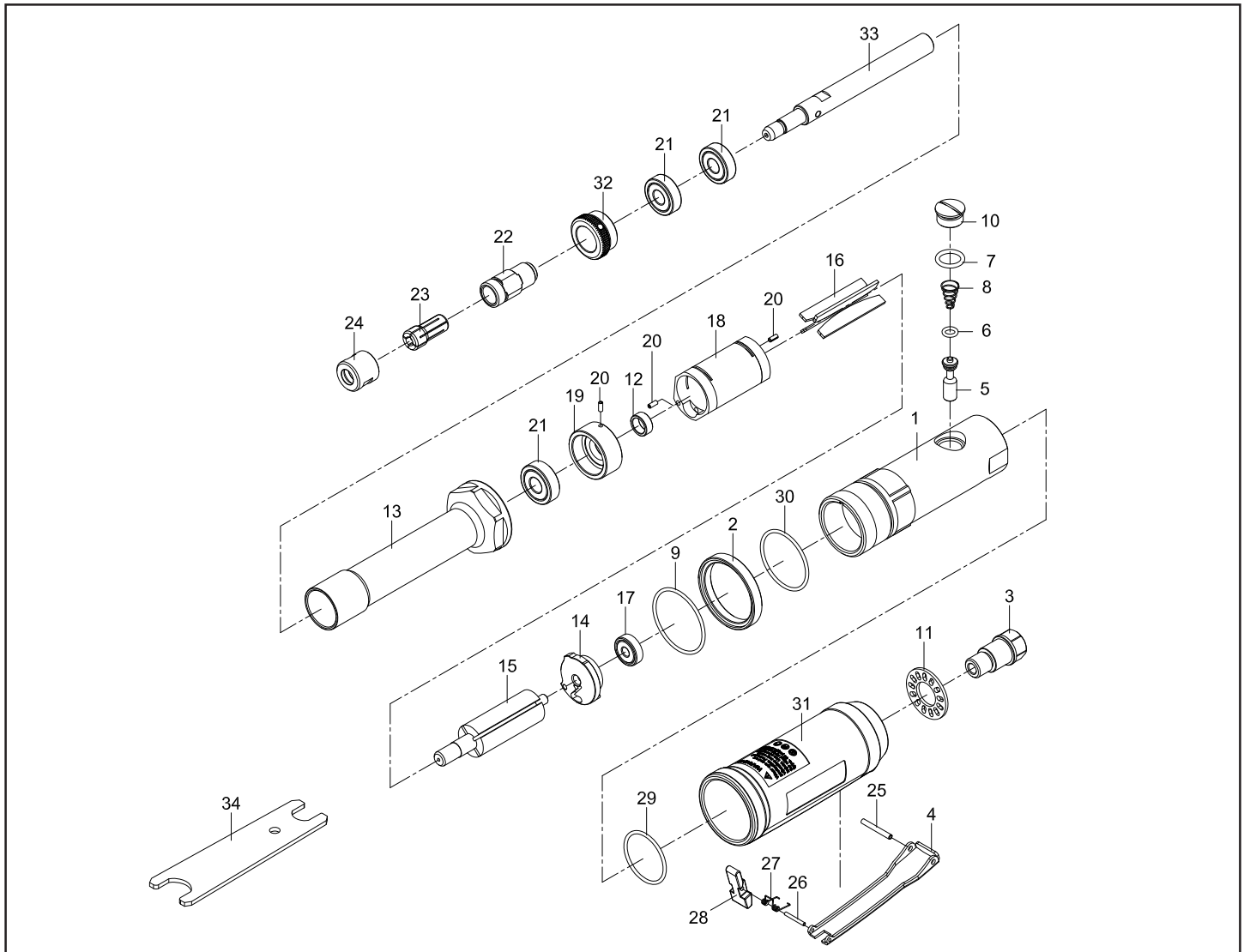




MICHIGAN PNEUMATIC TOOL, INC.

MP-5214EX 1/4" Extended Die Grinder



Index	Part No.	Description	Qty.
1	5214EX-01	Motor Housing	1
2	5214EX-02	Decoration Ring	1
3	5214EX-03	Air Inlet	1
4	5214EX-04	Throttle Lever	1
5	5214EX-05	Valve Shaft	1
6	5214EX-06	O-Ring (Ø4.8xØ2.2)	1
7	5214EX-07	O-Ring (Ø11.8xØ2.4)	1
8	5214EX-08	Spring	1
9	5214EX-09	O-Ring (Ø40xØ2)	1
10	5214EX-10	Plug	1
11	5214EX-11	Diffuser	1
12	5214EX-12	Rotor Bushing	1
13	5214EX-13	Clamp Nut	1
14	5214EX-14	Rear End Plate	1
15	5214EX-15	Rotor	1
16	5214EX-16	Rotor Blade	4
17	5214EX-17	Ball Bearing (626zz)	1

Index	Part No.	Description	Qty.
18	5214EX-18	Cylinder	1
19	5214EX-19	Front End Plate	1
20	5214EX-20	Spring Pin (Ø2.5x6L)	3
21	5214EX-21	Ball Bearing (6000zz)	3
22	5214EX-22	Collet Holder	1
23	5214EX-23	Collet	1
24	5214EX-24	Collet Nut	1
25	5214EX-25	Spring Pin (Ø3x24L)	1
26	5214EX-26	Spring Pin (Ø2x16L)	1
27	5214EX-27	Spring	1
28	5214EX-28	Safety Bar	1
29	5214EX-29	O-Ring (Ø31.5xØ2)	1
30	5214EX-30	O-Ring (Ø35.5xØ2)	1
31	5214EX-31	Grip	1
32	5214EX-32	Lock Nut	1
33	5214EX-33	Extension Bar	1
34	5214EX-34	Spanner	2

0503022017Rev3CEH | NP