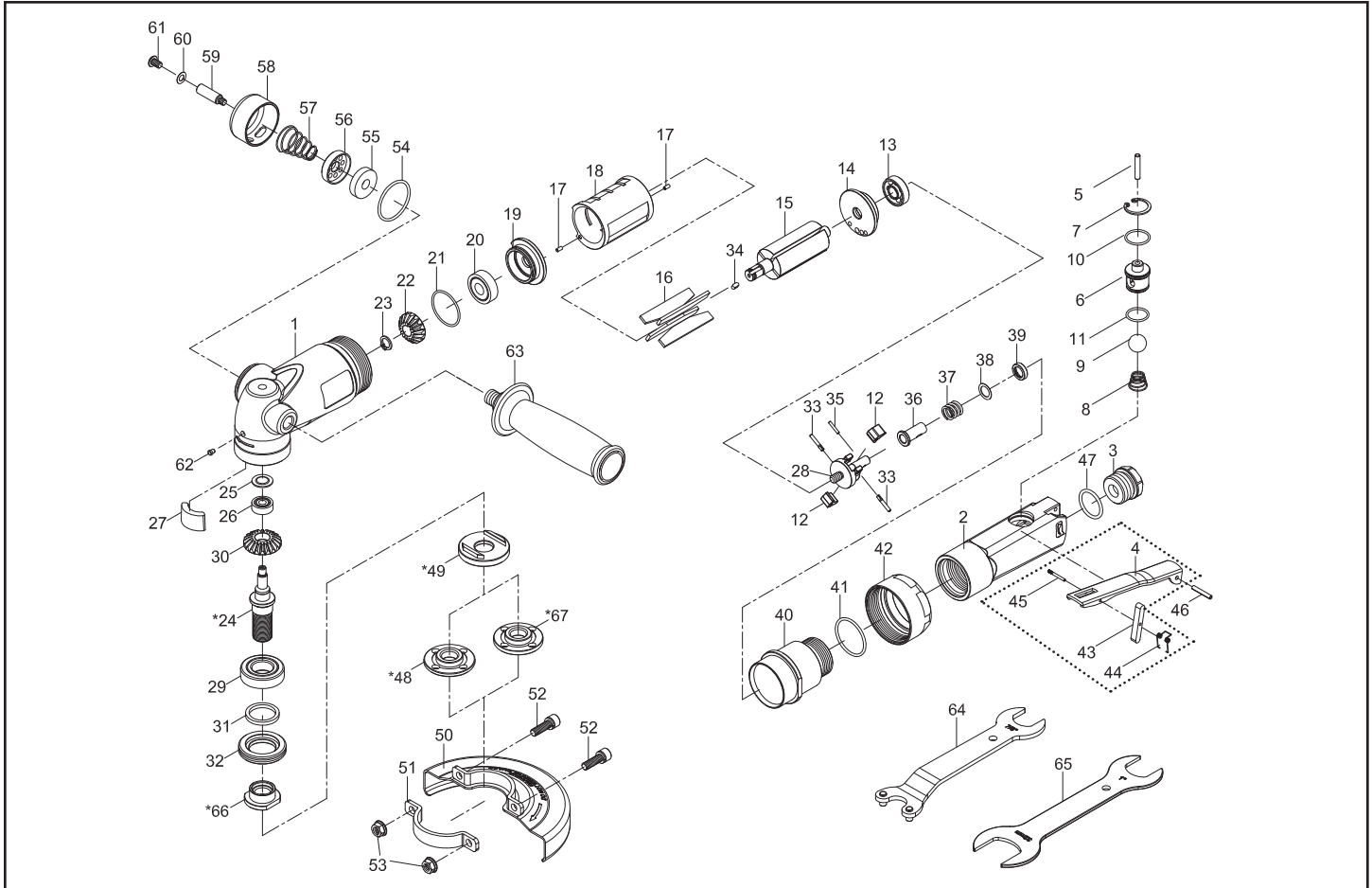




**MICHIGAN PNEUMATIC TOOL, INC.**

# MP-5158 5" Angle Grinder



Index	Part No.	Description	Qty.
1	5D-641201	Housing	1
2	5G-641309	Rear Body	1
3	5G-641303	Air Inlet	1
4	50-250S04	Throttle Lever Assembly	1
5	620125	Pin 4x22.8	1
6	5G-641306	Bushing	1
7	RTW-20	Retaining Ring RTW-20	1
8	5G-641308	Spring	1
9	5G-641326	Nylon Ball 9/16"	1
10	795820	O-Ring 15.5x1.5	1
11	82247	O-Ring 13.5x1.5	1
12	5D-641212	Governor Weight	2
13	0609	Ball Bearing 609	1
14	5D-641214	End Plate	1
15	5D-641215	Rotor	1
16	5D-641216	Vane	4
17	70117-13	Spring Pin 2.5x5	2
18	5D-641218	Cylinder	1
19	5D-641219	Front End Plate	1
20	06000LLU	Ball Bearing 6000LLU	1
21	OR02105105	O-Ring 21.5 x 1.5	1
22	5D-641222	Bevel Gear	1
23	76011	Retaining Ring STW-9	1

Index	Part No.	Description	Qty.
*24	5D-651224-11	Spindle 5/8"-11 UNC	1
	5D-651224-12	Spindle M14x2	1
25	5D-641232	Bearing Holder	1
26	054213	Ball Bearing 606ZZ	1
27	5D-641233	Oil Felt	1
28	5D-641217	Governor Case	1
29	06003LLU	Ball Bearing 6003LLU	1
30	5D-641230	Bevel Gear	1
31	5D-641209	Oil Felt	1
32	5D-641229	Lock Nut	1
33	5D-641223	Grooved Pin	2
34	5D-641239	Key 3x8L	1
35	PN02001108	Pin 2x11.8	1
36	5D-641220	Governor Valve	1
37	5D-641208	Spring	1
	5D-641207-11	Washer 0.2mm	1
38	5D-641207-12	Washer 0.3mm	1
	5D-641207-13	Washer 0.5mm	1
39	5D-641221	Spring Holder	1
40	5D-641227	Inlet Guide	1
41	P91222	O-Ring 28.5x2	1
42	5D-641228	Nut	1
43	5D-241S40	Safety Bar	1



**MICHIGAN PNEUMATIC TOOL, INC.**

# **MP-5158** 5" Angle Grinder

Index	Part No.	Description	Qty.
44	51541	Spring	1
45	5D-651223	Pin	1
46	60102-12	Spring Pin 3x20L	1
47	OR01906204	O-Ring 19.8x2.4	1
*48	5D-651226-11	Disc Nut 5/8"-11UNC	1
	5D-651226-12	Disc Nut M14x2	1
*49	5D-651225-11	Flange 5/8"-11UNC	1
	5D-651225-12	Flange M14x2	1
50	5D-651237	5" Guard	1
51	5D-641236	Retainer	1
52	7H-753528	Screw M6x20	2
53	6E-610035	Nut M6	2
54	OR02700200	O-Ring 27x2	1
55	5D-641211	Muffler	1

Index	Part No.	Description	Qty.
56	5D-641213	Exhaust Valve	1
57	5G-641338	Spring	1
58	5D-641210	Exhaust Cover	1
59	5D-641231	Spacer Screw	1
60	5G-641332	Washer 5.3x10x0.3	1
61	5G-641362	Screw M5x8L	1
62	41-401254	Lubricator	1
63	5D-619256	Side Handle	1
64	5D-651234	Pin Wrench & Spanner	1
65	5D-651233	Spanner 26mm	1
*66	5D-651236-11	Spacer Nut 5/8"-11UNC	1
	5D-651236-12	Spacer Nut M14x2	1
*67	5D-651227-11	Disc Nut 5/8"-11UNC	1
	5D-651227-12	Disc Nut M14x2	1

Index No. 48 & No. 49 are used for Type 41 Cutting-Off Wheel

Index No. 49 & No. 67 are used for Type 27 Grinding Wheel, Type 29 Grinding Wheel or Type 42 Cutting-Off Wheel

\*Optional parts