



MICHIGAN PNEUMATIC TOOL, INC.

MP-5-1217-0020 Air Saw

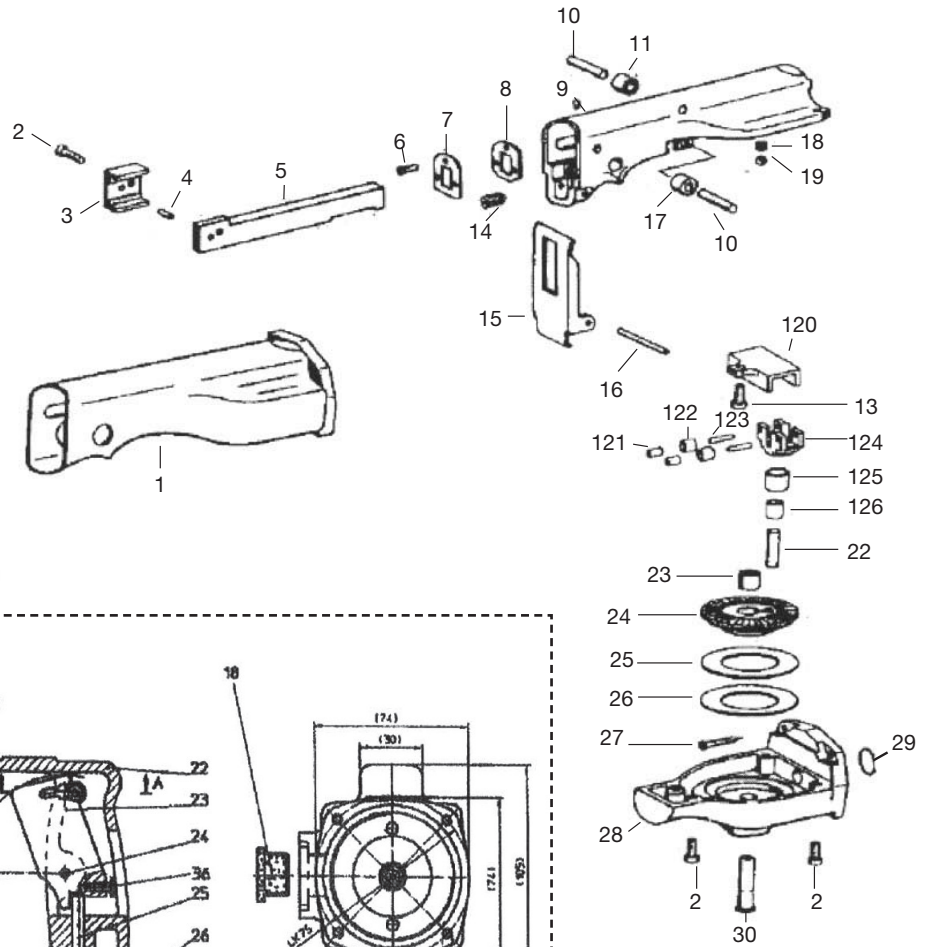
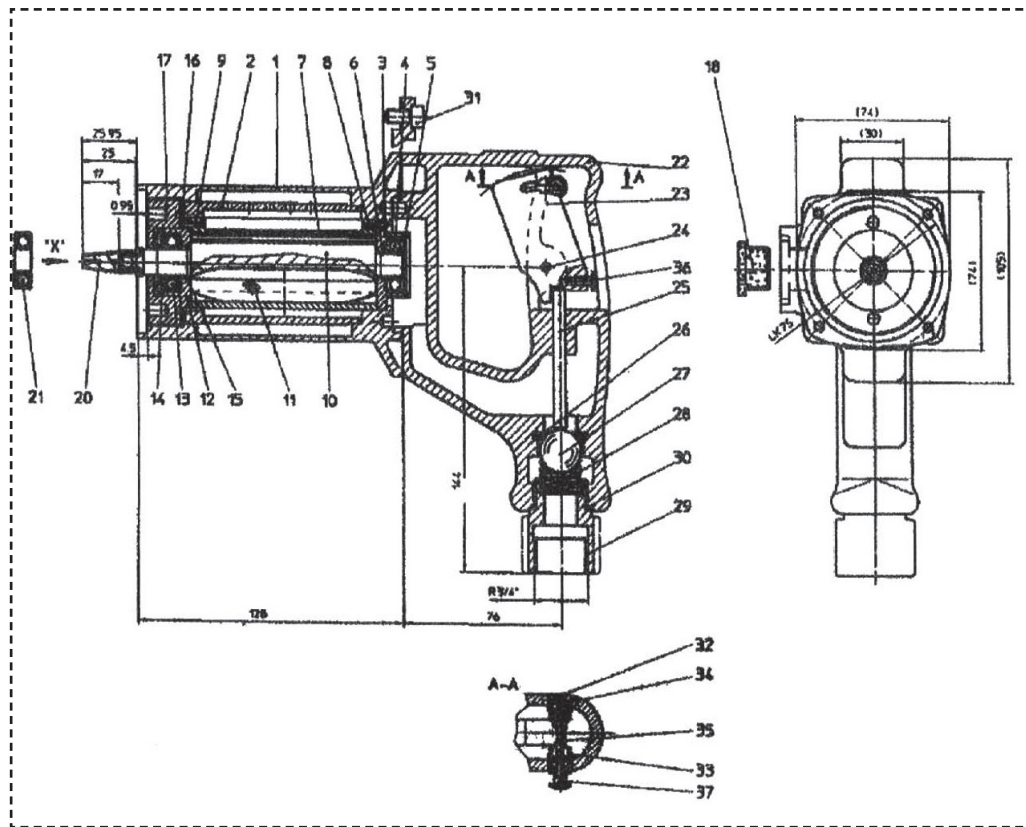


Figure 1: Handle Assembly Parts





MICHIGAN PNEUMATIC TOOL, INC.

MP-5-1217-0020 Air Saw

Index	Part No.	Description	Qty.
	5 1216 4920	Gearbox Casing 1 Complete	1
	5 1216 4930	Bevel Gear Complete *With items 22 + 23	1
	5 1216 4950	Connecting Rod Assy. *Consisting of 4 + 5	1
	5 1216 4970	Needle Bearing Assy. *With items 121 - 123	1
	5 1216 7920	Thrust Piece Complete *Replaces 512167060	1
1	5 1216 9010	Protecting Cover	1
2	9 1110 3120	Screw	1
3	5 1216 7060	Part of 5 1216 7920	1
4	9 1630 0360	Spiral Pin	1
5	5 1216 4260	Connecting Rod	1
6	9 1110 1040	Fillister Head Screw	1
7	5 1216 4310	Cover	1
8	5 1216 4320	Seal	1
9	5 1216 4010	Gear Housing 2	1
10	9 1631 0150	Straight Pin	1
11	9 1013 0450	Needle Bearing	1
13	9 1110 3080	Fillister Head Screw	1
14	9 1810 0080	Strong Pressure Piece	1
15	5 1216 7070	Supporting Shoe	1
16	9 1630 0870	Spiral Pin	1

Index	Part No.	Description	Qty.
17	5 1216 4180	Sliding Roller	1
18	9 1803 4360	Pressure Spring	1
19	9 1017 0050	Ball	1
22	9 1637 2220	Straight Pin	1
23	9 1014 0230	Needle Bushing	1
24	5 1216 4130	Bevel Gear Assembly	1
25	9 1024 0400	Axial Needle Bearing	1
26	9 1024 0410	Axial Dish	1
27	9 1110 3100	Screw	1
28	5 1216 4210	Gear Housing	1
29	9 1921 1430	O-Ring	1
30	5 1216 4170	Pinion	1
120	5 1216 4370	Roller Guide	1
121	9 1015 1130	SEE # 5 1216 4970	2
122	5 1216 4380	SEE # 5 1216 4970 *Can't be sold separately	2
123	9 1016 0280	Pin	2
124	5 1216 4410	Roller Holder	1
125	5 1216 4480	Outer Ring	1
126	9 1014 0120	Needle Bushing	1

Figure 1: Handle Assembly Parts

Index	Part No.	Description	Qty.
1	512161010	Motor Housing	1
2	512161710	Muffler	1
3	114301110	End Plate	1
4	910030010	Bearing	1
5	917030050	Snap Ring	1
6	114301080	Distance Ring	1
7	560301020	Cylinder Bushing	1
8+9	916300440	Screw	1
10	512171030	ROTOR-SAME AS: 512161030	1
11	512161050	Vane (5 required)	5
12	560301100	End Plate	1
13	910030370	Bearing	1
14	917030070	Snap Ring	1
15	512021080	Shim	1
16	919014950	O-Ring	1
17	512161120	Motor Cap	1
18	938011210	Muffler	1
20	512164170	Pinion	1

Index	Part No.	Description	Qty.
21	910030470	Grooved Ball Bearing	1
22	512166910	Handle	1
23	560033040	Valve Trigger	1
24	916410020	Notched Pin	1
25	916371730	Cylindrical Pin	1
26	919030990	Sealing Ring	1
27	910170070	Ball	1
28	918031210	Spring	1
29	922051510	Nipple	1
30	919013140	O-Ring	1
31	911104010	Screw	1
32	512163160	Bushing	1
33	512163170	Guide Sleeve	1
34	918033360	Compression Spring	1
35	512163150	Lock Bolt	1
36	911660170	Screw	1
37	512163180	Button	1