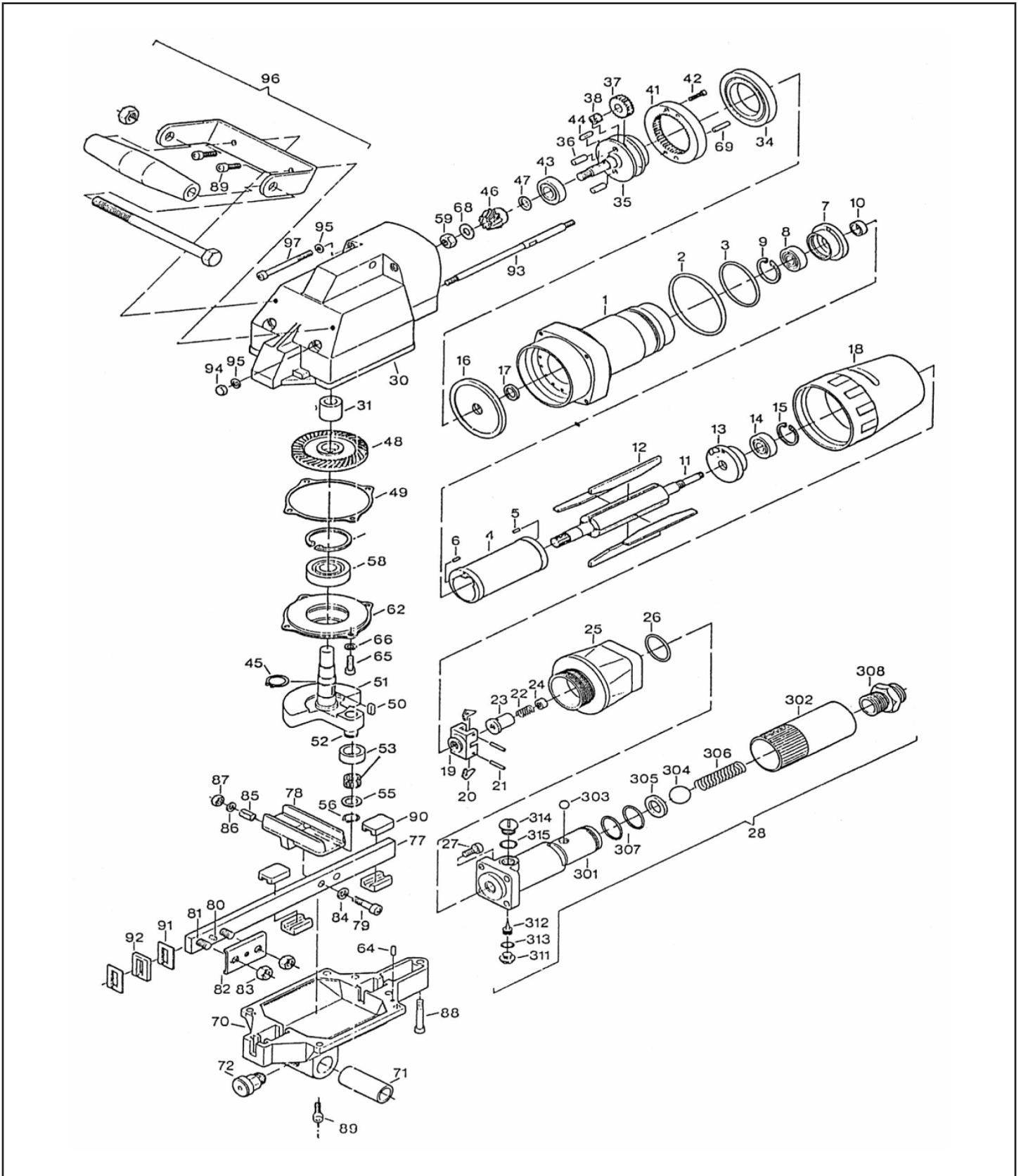




**MICHIGAN PNEUMATIC TOOL, INC.**

# MP-5-1212-0050 Reciprocating Saw



08172016Rev5HMB | JD



**MICHIGAN PNEUMATIC TOOL, INC.**

# MP-5-1212-0050 Reciprocating Saw

| Index   | Part No.    | Description                 | Qty. |
|---------|-------------|-----------------------------|------|
|         | 5 1201 7920 | Lock Pin Assembly           | 1    |
|         | 5 1202 4930 | Crankshaft Assembly         | 1    |
|         | 5 1202 4950 | Connecting Rod              | 1    |
|         | 5 1212 1000 | Motor, Complete             | 1    |
| 5 + 6   | 9 1642 0080 | Locking Pin                 | 2    |
| 65 + 89 | 9 1110 3120 | Screw                       | 10   |
| 66 + 95 | 9 3329 0010 | Locking Plate               | 8    |
| 1       | 5 1202 1910 | Compressed Air Motor        | 1    |
| 2       | 9 1901 4170 | O-Ring                      | 1    |
| 3       | 9 1901 4180 | O-Ring                      | 1    |
| 4       | 1 1430 1020 | Cylinder Bushing            | 1    |
| 7       | 5 1202 1100 | End Plate                   | 1    |
| 8       | 9 1003 0020 | Bearing                     | 1    |
| 9       | 9 1703 0070 | Snap Ring                   | 1    |
| 10      | 5 1202 1080 | Shim                        | 1    |
| 11      | 5 1212 1030 | Rotor                       | 1    |
| 12      | 1 1430 1050 | Vane                        | 4    |
| 13      | 5 1202 1110 | End Plate                   | 1    |
| 14      | 9 1003 0010 | Bearing                     | 1    |
| 15      | 9 1703 0120 | Snap Ring                   | 1    |
| 16      | 5 1202 1130 | Packing Washer              | 1    |
| 17      | 9 1902 1470 | Felt Strip                  | 1    |
| 18      | 5 1202 1120 | Rotary Sleeve               | 1    |
| 19      | 1 1430 2020 | Weight Clip                 | 1    |
| 20      | 1 1834 2030 | Governor Weight             | 1    |
| 21      | 9 1619 0150 | Pin                         | 2    |
| 22      | 9 1803 2690 | Spring                      | 1    |
| 23      | 1 1430 2160 | Governor Basket             | 1    |
| 24      | 1 1430 2050 | Nut                         | 1    |
| 25      | 5 1212 2010 | Governor Casing, Complete   | 1    |
| 26      | 9 1901 3130 | O-Ring                      | 1    |
| 27      | 9 1111 3060 | Screw                       | 4    |
| 28      | 9 2008 0050 | Twist Throttle For Hacksaw  | N/A  |
| 30      | 5 1205 4910 | Gear Housing                | 1    |
| 34      | 9 1002 0070 | Grooved Ball Bearing        | 1    |
| 35      | 5 1202 4030 | Drive Head                  | 1    |
| 36      | 5 1202 4050 | Pin                         | 2    |
| 37      | 5 1202 4040 | Gear Wheel                  | 1    |
| 38      | 9 1015 0300 | Needle Cage for Air Hacksaw | 1    |
| 41      | 5 1202 4020 | Gear Rim                    | 1    |
| 42      | 9 1115 1020 | Screw                       | 4    |
| 43      | 9 1003 0370 | Bearing                     | 1    |
| 44      | 9 1501 1120 | Key                         | 1    |
| 45      | 9 1702 0090 | Snap Ring                   | 1    |
| 46      | 5 1202 4920 | Bevel Gear Complete         | 1    |
| 47      | 5 1202 4140 | Washer                      | 1    |
| 47      | 5 1202 4340 | Balance Ring                | 1    |
| 49      | 5 1202 4150 | Balance Ring                | 1    |
| 49      | 5 1202 4350 | Balance Ring                | 1    |
| 50      | 9 1501 2080 | Feather                     | 1    |
| 51      | 5 1202 4160 | Crankshaft                  | 1    |
| 52      | 5 1202 4170 | Pin                         | 1    |
| 53      | 9 1025 0200 | Bearing                     | 1    |

| Index | Part No.    | Description                | Qty. |
|-------|-------------|----------------------------|------|
| 55    | 5 1202 4490 | Washer                     | 1    |
| 56    | 9 1702 0050 | Retaining Ring             | 1    |
| 58    | 9 1004 0270 | Bearing                    | 1    |
| 59    | 5 1202 4210 | Hexagon Nut                | 1    |
| 62    | 5 1213 4220 | Bearing Plate              | 1    |
| 63    | 9 1703 0120 | Snap Ring                  | 1    |
| 64    | 9 1626 0180 | Notched Taper Pin          | 1    |
| 68    | 9 3302 0030 | Washer                     | 1    |
| 69    | 9 1626 0060 | Grooved Pin                | 1    |
| 70    | 5 1202 4940 | Gear Casing Cover Complete | 1    |
| 73    | 5 1202 4200 | Locking Pin                | *    |
| 74    | 5 1202 4230 | Sleeve                     | *    |
| 75    | 9 1803 0300 | Pressure Spring            | *    |
| 76    | 5 1202 4250 | Ring                       | *    |
| 77    | 5 1202 4260 | Connecting Rod             | 1    |
| 78    | 5 1202 4270 | Connecting Link            | 1    |
| 79    | 9 1110 4040 | Fillister Head Screw       | 2    |
| 80    | 9 1619 0180 | Cylindrical Pin            | 1    |
| 81    | 5 1202 4280 | Threaded Pin               | 2    |
| 82    | 5 1201 7060 | Pressure Plate             | 1    |
| 83    | 9 1203 0050 | Hexagon Nut                | 2    |
| 84    | 9 3302 0020 | Disc                       | 1    |
| 85    | 9 1632 0010 | Clamping Sleeve            | 1    |
| 86    | 9 3312 0010 | Spring Washer              | 1    |
| 87    | 9 1203 0040 | Nut Hexagon                | 1    |
| 88    | 9 1110 3030 | Screw                      | 1    |
| 90    | 5 1206 4300 | Brass Bushing              | 4    |
| 91    | 9 1902 0490 | Scraper                    | 2    |
| 92    | 9 1902 0500 | Felt                       | 1    |
| 93    | 9 1643 0010 | Stay Bolt                  | 2    |
| 94    | 9 1211 0020 | Nut                        | 2    |
| 96    | 5 1202 6000 | Handle                     | 1    |
| 97    | 9 1112 3090 | Screw                      | 2    |
| 98    | 9 1110 3080 | Fillister Head Screw       | *    |
| 301   | 1 1901 3920 | Valve Box Assembly         | 1    |
| 302   | 1 1901 3930 | Rotary Sleeve              | 1    |
| 303   | 9 1017 0060 | Ball                       | 1    |
| 304   | 9 1017 0070 | Ball                       | 1    |
| 305   | 9 1903 0240 | Seal                       | 1    |
| 306   | 9 1803 0090 | Spring                     | 1    |
| 307   | 9 1901 3170 | O-Ring                     | 1    |
| 308   | 9 2205 1180 | Nipple                     | 1    |
| 311   | 9 1150 9020 | Filler Plug                | 1    |
| 312   | 9 1151 9010 | Screw                      | 1    |
| 313   | 9 1903 0260 | Sealing Ring               | 1    |
| 314   | 9 1150 9030 | Screw                      | 1    |
| 315   | 9 1903 0340 | Sealing Ring               | 1    |
| 101   | 2 2045 3910 | Valve Housing Complete     | 1    |
| 102   | 1 2134 3050 | Ring                       | 1    |
| 103   | 1 1901 3050 | Valve Bushing              | 1    |
| 104   | 1 2034 3060 | Sleeve                     | 1    |
| 105   | 1 2034 3070 | Pin                        | 1    |
| 106   | 9 1901 2020 | O-Ring                     | 1    |

08172016Rev5HMB | JD



**MICHIGAN PNEUMATIC TOOL, INC.**

# **MP-5-1212-0050** Reciprocating Saw

| Index | Part No.    | Description         | Qty. |
|-------|-------------|---------------------|------|
| 108   | 9 1803 2170 | Spring              | 1    |
| 109   | 9 2205 1060 | Nipple              | 1    |
| 110   | 9 1901 3280 | O-Ring              | 1    |
| 111   | 1 1901 3030 | Valve Lever         | 1    |
| 112   | 9 1611 0040 | Rivet               | 1    |
| 114   | 1 2034 3920 | Differential Piston | 1    |
| 115   | 9 1901 3550 | O-Ring              | 1    |
| 116   | 9 1901 3110 | O-Ring              | 1    |
| 117   | 9 1901 3240 | O-Ring              | 1    |
| 118   | 9 1803 0780 | Pressure Spring     | 1    |
| 119   | 1 2034 3100 | Guide Bushing       | 1    |
| 120   | 9 1901 2380 | O-Ring              | 1    |
| 122   | 2 2045 3110 | Oiler Tube          | 1    |
| 125   | 9 1150 9020 | Filler Plug         | 1    |
| 126   | 9 1903 0340 | Sealing Ring        | 1    |
| 127   | 9 1150 9030 | Screw               | 1    |

\* Not shown on print