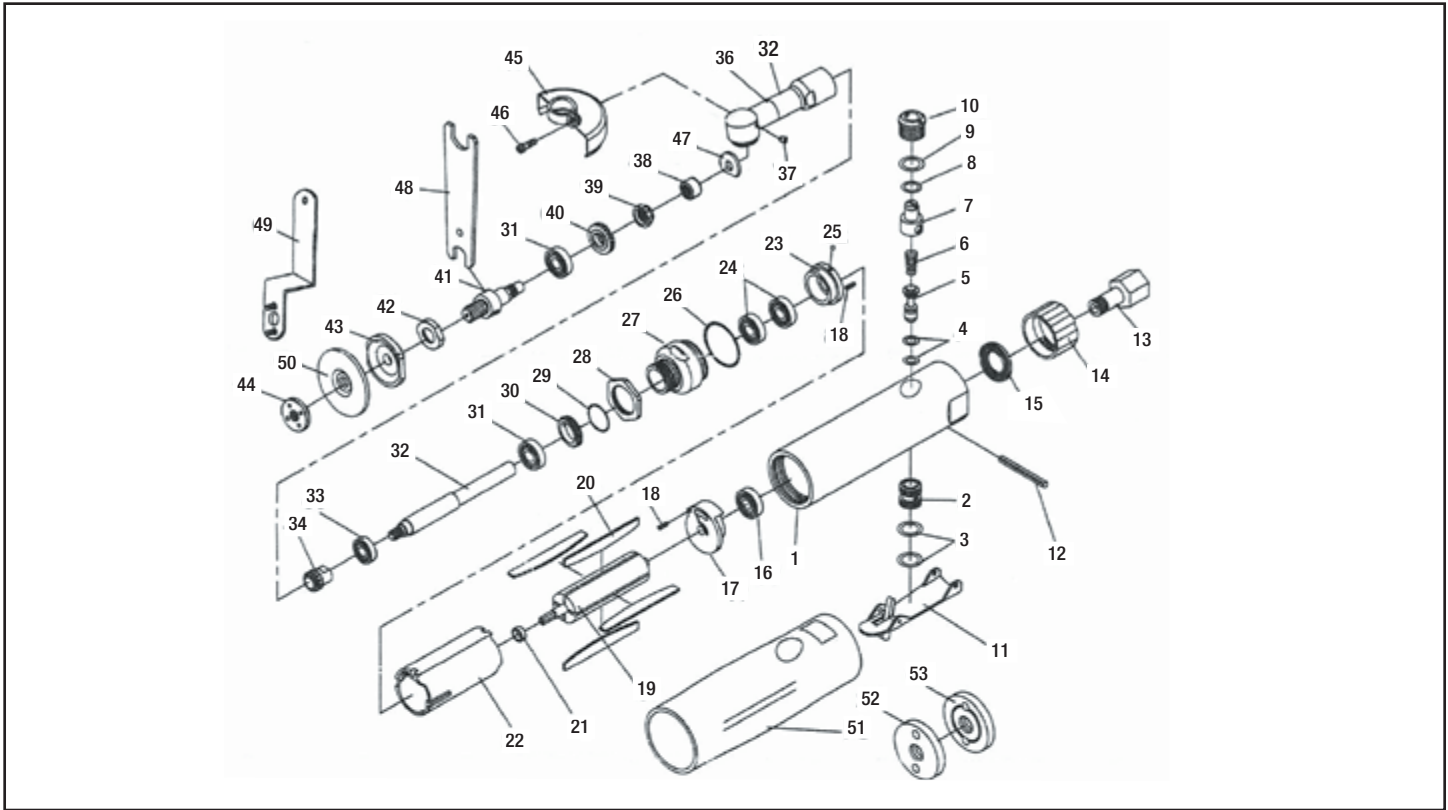




MICHIGAN PNEUMATIC TOOL, INC.

MP-4502 4" Angle Grinder & Cut-Off Tool



Index	Part No.	Description	Qty.	Index	Part No.	Description	Qty.
1	RL84501	Housing	1	28	RL84528	Lock Nut	1
2	RL80402	Throttle Valve Bushing	1	29	RL84529	O-Ring	1
3	RL80515	O-Ring	2	30	RL84530	Lock Ring	1
4	RL80505	O-Ring	2	31	RL84531	Ball Bearing	1
5	RL80406	Throttle Pin	1	32	RL84532	Extension Spindle	1
6	RL80407	Spring	1	33	RL84533	Ball Bearing	1
7	RL80408	Air Regulator	1	34	RL84534	Bevel Gear Shaft	1
8	RL80509	O-Ring	1	35	RL84535	Extension Housing	1
9	RL80410	O-Ring	1	36	RL84536	Angle Housing	1
10	RL80411	Valve Plug	1	37	RL84537	Grease Fitting	1
11	RL80511	Safety Throttle Lever	1	38	RL84538	Needle Bearing	1
12	RL80513	Pin	1	39	RL84539	Spindel Nut	1
13	RL83013B	Air Inlet	1	40	RL84540	Bevel Gear	1
14	RL14530	Exhaust Swivel	1	41	RL84541	Spindle	1
15	RL83015	Silencer	1	42	RL84542	Lock Nut	1
16	RL80417	Ball Bearing	1	43	RL84543	Upper Retaining Nut	1
17	RL70218A	Rear End Plate	1	44	RL84544	Wheel Retaining Nut	1
18	RL13035	Roll Pin	2	45	RL84545	Guard	1
19	RL84519	Rotor	1	46	RL84546	Hex Screw	1
20	RL83020	Rotor Blade	4	47	RL84547	Felt Plate	1
21	RL80432	Spacer	1	48	RL80430	Spanner (14&19MM)	1
22	RL83022	Cylinder	1	49	RL84450	Stop Wrench	1
23	RL70224A	Front End Plate	1	50	RLAG015	4" Grinding Wheel	1
24	RL80424	Ball Bearing	2	51	RL84551	Comfort Grip	1
25	RL80421	Steel Ball	1	52	RL84552	Wheel Retaining Nut	1
26	RL804L527	O-Ring	1	53	RL84442	Wheel Retaining Nut	1
27	RL84527	Nose Housing Connector	1				

*indicates part not in warranty

6850 Middlebelt Rd. • Romulus, MI 48174 • 1-800-521-8104 • Ph: (313) 933-5890 • Fax: (313) 933-0440

www.michiganpneumatic.com • e-mail: mpt@michiganpneumatic.com

10022018RevMME | NP