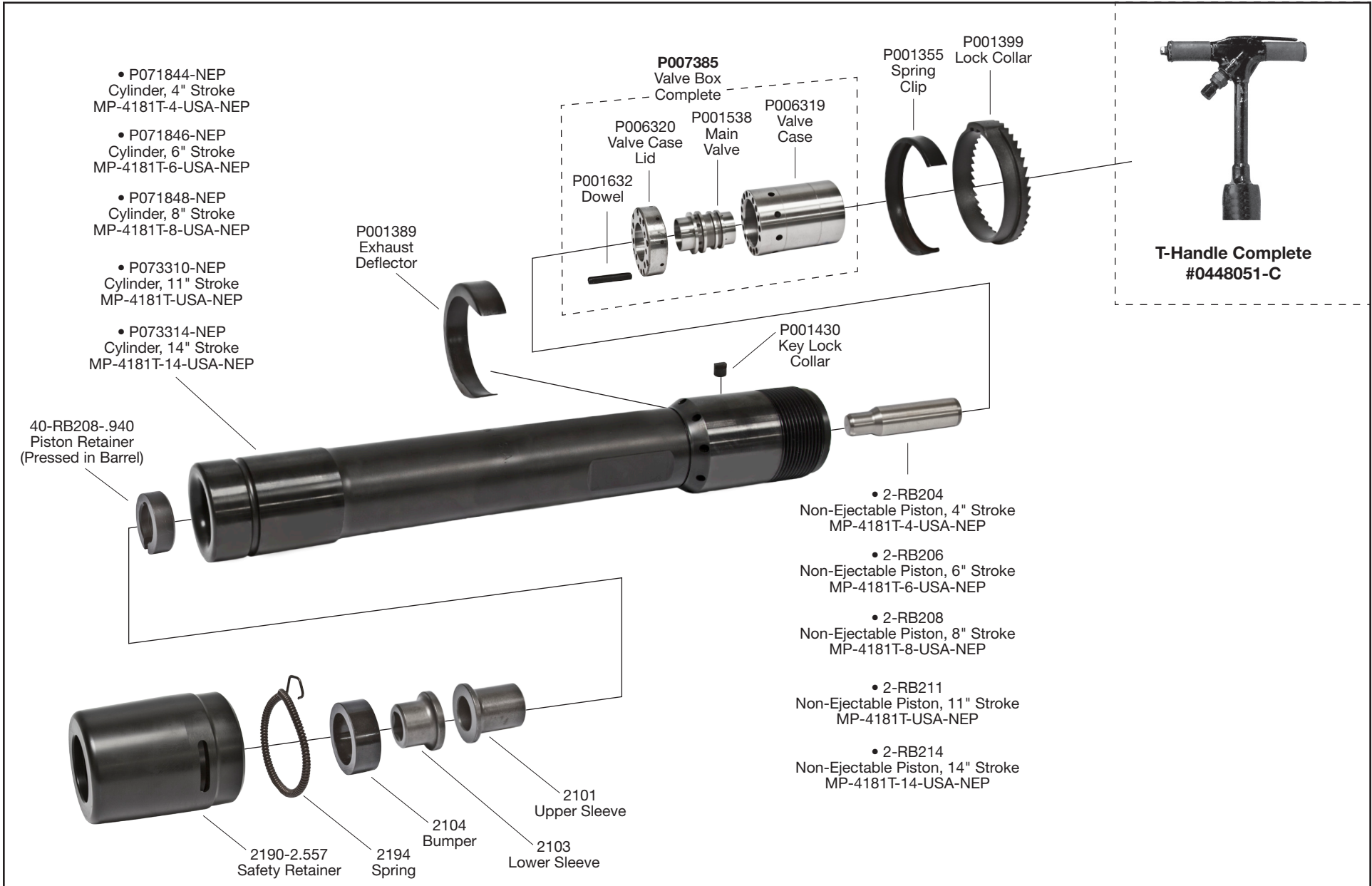




# MICHIGAN PNEUMATIC TOOL, INC.

- MP-4181T-4-USA-NEP** Rivet Buster, 4" Stroke, Non-Ejectable Piston
- MP-4181T-6-USA-NEP** Rivet Buster, 6" Stroke, Non-Ejectable Piston
- MP-4181T-8-USA-NEP** Rivet Buster, 8" Stroke, Non-Ejectable Piston

- MP-4181T-USA-NEP** Rivet Buster, 11" Stroke, Non-Ejectable Piston
- MP-4181T-14-USA-NEP** Rivet Buster, 14" Stroke, Non-Ejectable Piston



6850 Middlebelt Rd. • Romulus, MI 48174 • 1-800-521-8104 • Ph: (313) 933-5890 • Fax: (313) 933-0440

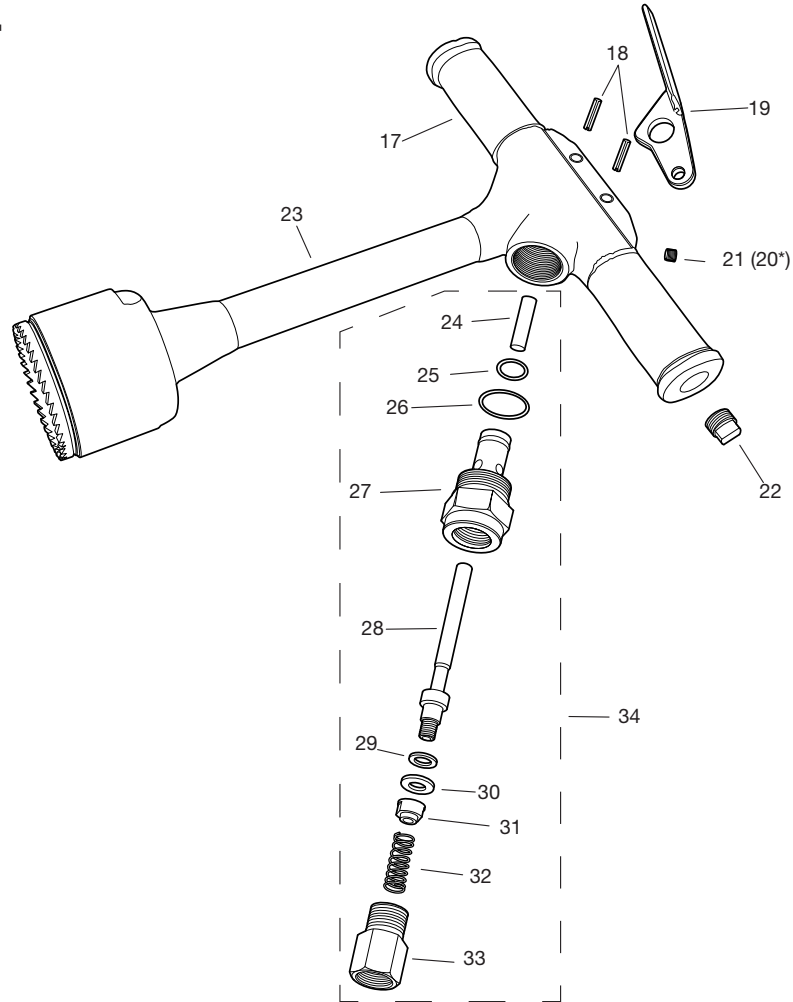
www.michiganpneumatic.com • e-mail: mpt@michiganpneumatic.com



**MICHIGAN PNEUMATIC TOOL, INC.**

# 0448051-C T-Handle Complete

## MP-4181T Buster



Index	Part No.	Description	Qty.
17	0445001	Grip	2
18	0445003	Pin	2
19	0445011	Lever	1
20	6645	Oiler Felt (not shown)	1
21	PHP-T10	Plug	1
22	0445005	Oil Plug	1
23	0445552	T-Handle Bare	1
24	1190071	Throttle Pin Bushing	1
25	1190072	O-Ring	1
26	1190073	O-Ring	1
27	1190070	Throttle Valve Adapter	1
28	1190076	Throttle Valve	1
29	1190078	Throttle Valve Seal	1
30	1190079	Throttle Valve Support	1
31	1190077	Throttle Valve Support Nut	1
32	0445009	Throttle Valve Spring	1
33	1995-SPL	Inlet Bushing	1
34	1199006	Throttle Valve Complete (Improved)	1

**NOTE: IMPROVED THROTTLE VALVE DESIGN**

# ATTENTION!

**THIS UNIT USED ON ALL TOOLS  
SOLD AFTER 4/01/10:**

0448051-OLDSTYLE handles can be updated to the Improved Throttle Valve design by using Part Number 1199006 Kit as shown on this print.

05052016Rev2PFT | JD

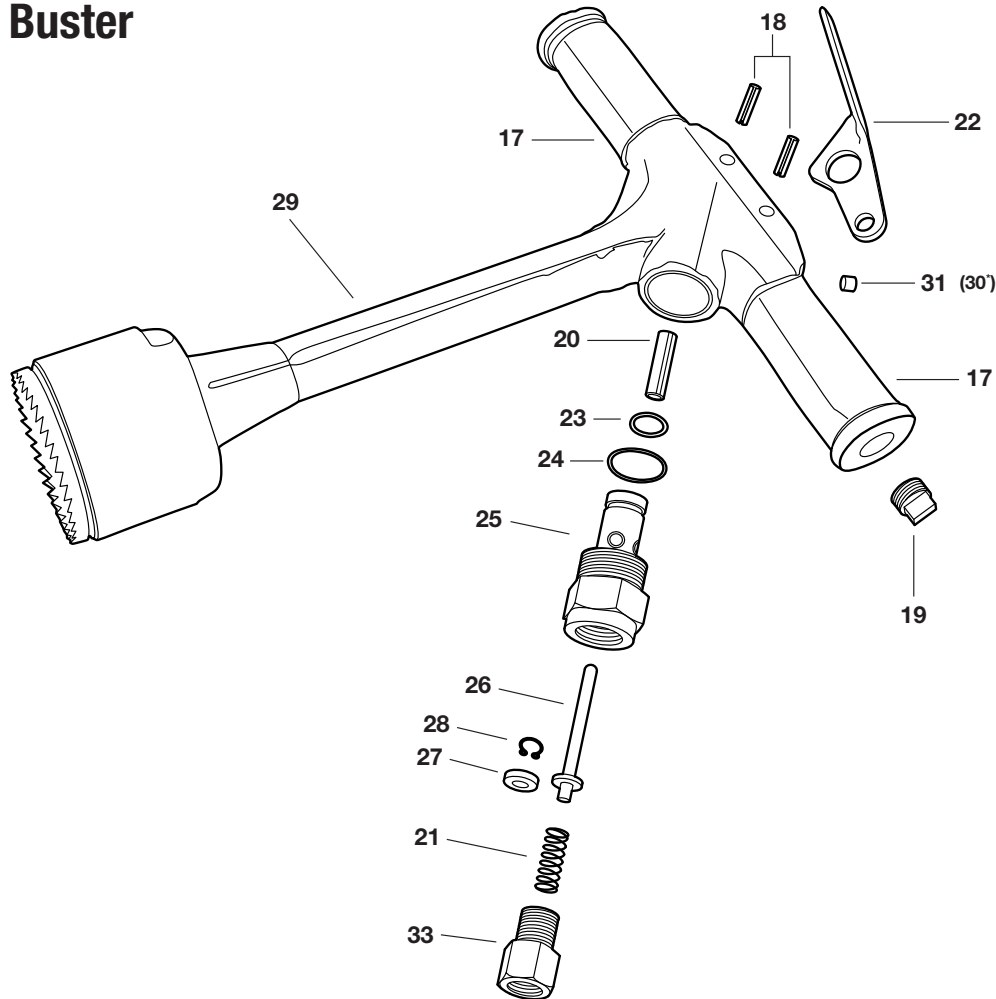


**MICHIGAN PNEUMATIC TOOL, INC.**

# 0448051-OLDSTYLE *OBSOLETE!*

## 3-Piece Throttle Valve Design

### MP-4181T Buster



Index	Part No.	Description	Qty.
17	0445001	Grip	2
18	0445003	Pin	2
19	0445005	Oil Plug	1
20	0445007	Bush	1
21	I-12111	Throttle Valve Spring	1
22	0445011	Lever	1
23	0445013	O-Ring	1
24	0445015	O-Ring	1
25	0445017	A.I. Bushing	1
26	0445029	Throttle Valve - 3-Piece Design	1
27	0445031	Throttle Valve Seat	1
28	0445033	Throttle Valve Circlip	1
29	0445552	T-Handle	1
30*	6645	Oiler Felt (not shown)	1
31	PHP-T10	Plug	1
33	1995-SPL	Inlet Bushing	1

**NOTE: OLDSTYLE THROTTLE VALVE DESIGN**

**DISCONTINUED!**

**ATTENTION!**  
**THIS UNIT USED ON ALL TOOLS  
 SOLD PRIOR TO 4/01/10:**

These handles can be updated to the Improved Throttle Valve design by using Part Number 1199006 Kit as shown on the 0448051-C Print.

05052016Rev2PFT | JD