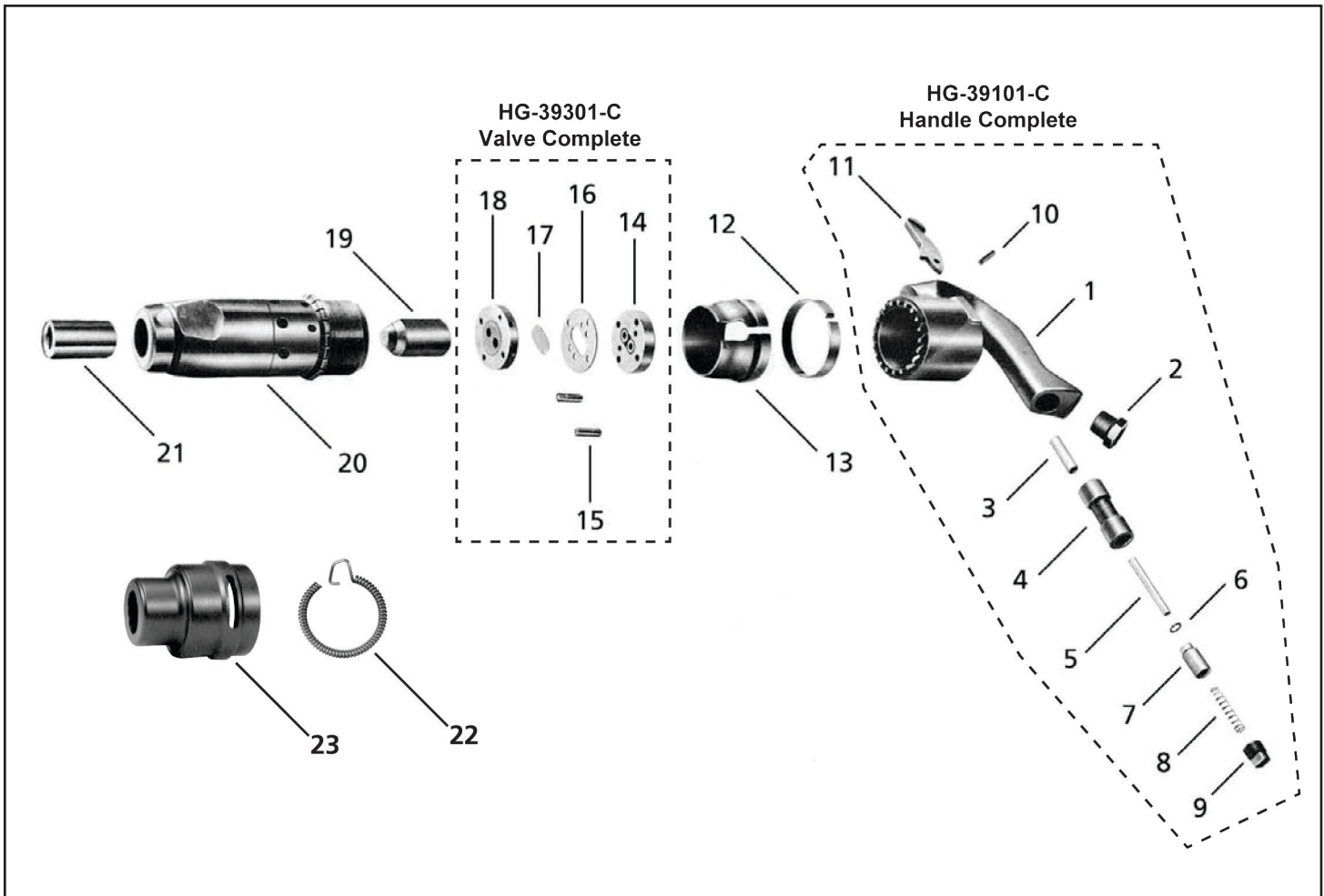




MICHIGAN PNEUMATIC TOOL, INC.

MP-100C/MP-200C/MP-300C/MP-400C

Hex or Round Shank Chipping Hammer



| Index | Part No. | Description | Qty. |
|-------|---------------------------|---|------|
| 1 | HG-39101-IC HG-39101-C | Handle with Bushings (inc. 2, 3 & 4) Handle Complete | 1 |
| 2 | HG-39117 | Inlet Bushing | 1 |
| 3 | HG-39113 | Throttle Pin Bushing | 1 |
| 4 | HG-39110 | Throttle Bushing | 1 |
| 5 | HG-39112 | Throttle Pin | 1 |
| 6 | OR-6227-6 | O-Ring | 1 |
| 7 | HG-39108 | Throttle Valve | 1 |
| 8 | HG-39111 | Throttle Spring | 1 |
| 9 | HG-39160 | Throttle Plug | 1 |
| 10 | NP-6.3522.2 | Knock Pin | 1 |
| 11 | HG-39136 | Lever | 1 |
| 12 | HG-39209 | Clutch Band | 1 |
| 13 | HG-39226 | Exhaust Cover | 1 |
| 14 | HG-39304 | Top Valve Seat | 1 |

| Index | Part No. | Description | Qty. |
|-------|--|--|------|
| 15 | NP-5.5623.8 | Knock Pin | 2 |
| 16 | HG-39306 | Valve Washer | 1 |
| 17 | HG-39301 HG-39301-C | Valve Valve Complete | 1 |
| 18 | HG-39305 | Bottom Valve Seat | 1 |
| 19 | H-39203 H-43203 H-44203 H-45203 | Piston (MP-100) Piston (MP-200) Piston (MP-300) Piston (MP-400) | 1 |
| 20 | H-39201 H-43201 H-44201 H-45201 | Cylinder (MP-100) Cylinder (MP-200) Cylinder (MP-300) Cylinder (MP-400) | 1 |
| 21 | HG-39215 HG-39216 | Round Bushing Hex Bushing | 1 |
| 22 | 1194-2 | Retainer Lock Spring | 1 |
| 23 | 1190-MPT | Oval Collar Retainer | 1 |

06302015Rev1HMB | NP