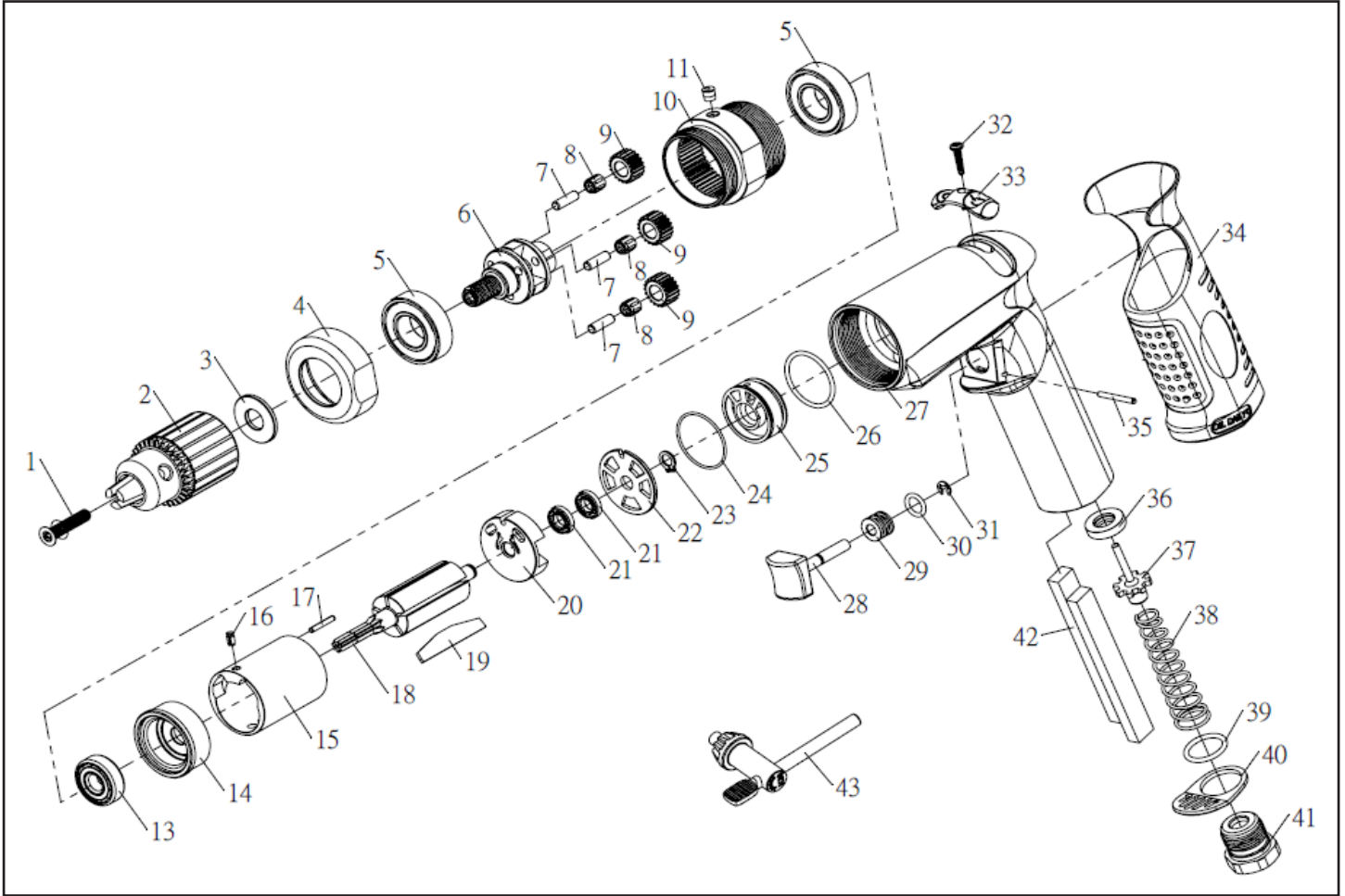




MICHIGAN PNEUMATIC TOOL, INC.

MP-3830DR 3/8" Reversible Drill



Index	Part No.	Description	Qty.
1	3830DR-01	Chuck Screw	1
2	3830DR-02	Drill Chuck (3/8")	1
3	3830DR-03	Washer	1
4	3830DR-04	Gear Case Cap	1
5	3830DR-05	Ball Bearing	2
6	3830DR-06	Gear Carrier	1
7	3830DR-07	Pin(ø4x12.8)	3
8	3830DR-08	Needle Bearing (INA)	3
9	3830DR-09	Planet Gear	3
10	3830DR-10	Gear Case	1
11	3830DR-11	Grease Fitting	1
13	3830DR-13	Ball Bearing	1
14	3830DR-14	Front End Plate	1
15	3830DR-15	Cylinder	1
16	3830DR-16	Spring Pin(ø3x5)	1
17	3830DR-17	Spring Pin (ø2x14)	1
18	3830DR-18	Rotor	1
19	3830DR-19	Rotor Blade	5
20	3830DR-20	Rear End Plate	1
21	3830DR-21	Ball Bearing	1
22	3830DR-22	Reversing Plate	1

Index	Part No.	Description	Qty.
23	3830DR-23	Snap Ring	1
24	3830DR-24	O-Ring (ID 22x1)	1
25	3830DR-25	Reversing Manifold	1
26	3830DR-26	O-Ring (ID 23.52x1.78)	1
27	3830DR-27	Housing	1
28	3830DR-28	Trigger	1
29	3830DR-29	Trigger Sleeve	1
30	3830DR-30	O-Ring (ID 7.65x1.78)	1
31	3830DR-31	Retaining Ring	1
32	3830DR-32	Taping Screw	1
33	3830DR-33	Reversing Shuttle	1
34	3830DR-34	Housing Cover	1
35	3830DR-35	Spring Pin (ø2x20)	1
36	3830DR-36	Spring Pin(ø3x5)	1
37	3830DR-37	Pin Valve Rod	1
38	3830DR-38	Trigger Spring	1
39	3830DR-39	O-Ring (ID 15x2)	1
40	3830DR-40	Exhaust Cap	1
41	3830DR-41	Air Inlet	1
42	3830DR-42	Silencer Pad	2
43	3830DR-43	Key (K30-3/8")	1