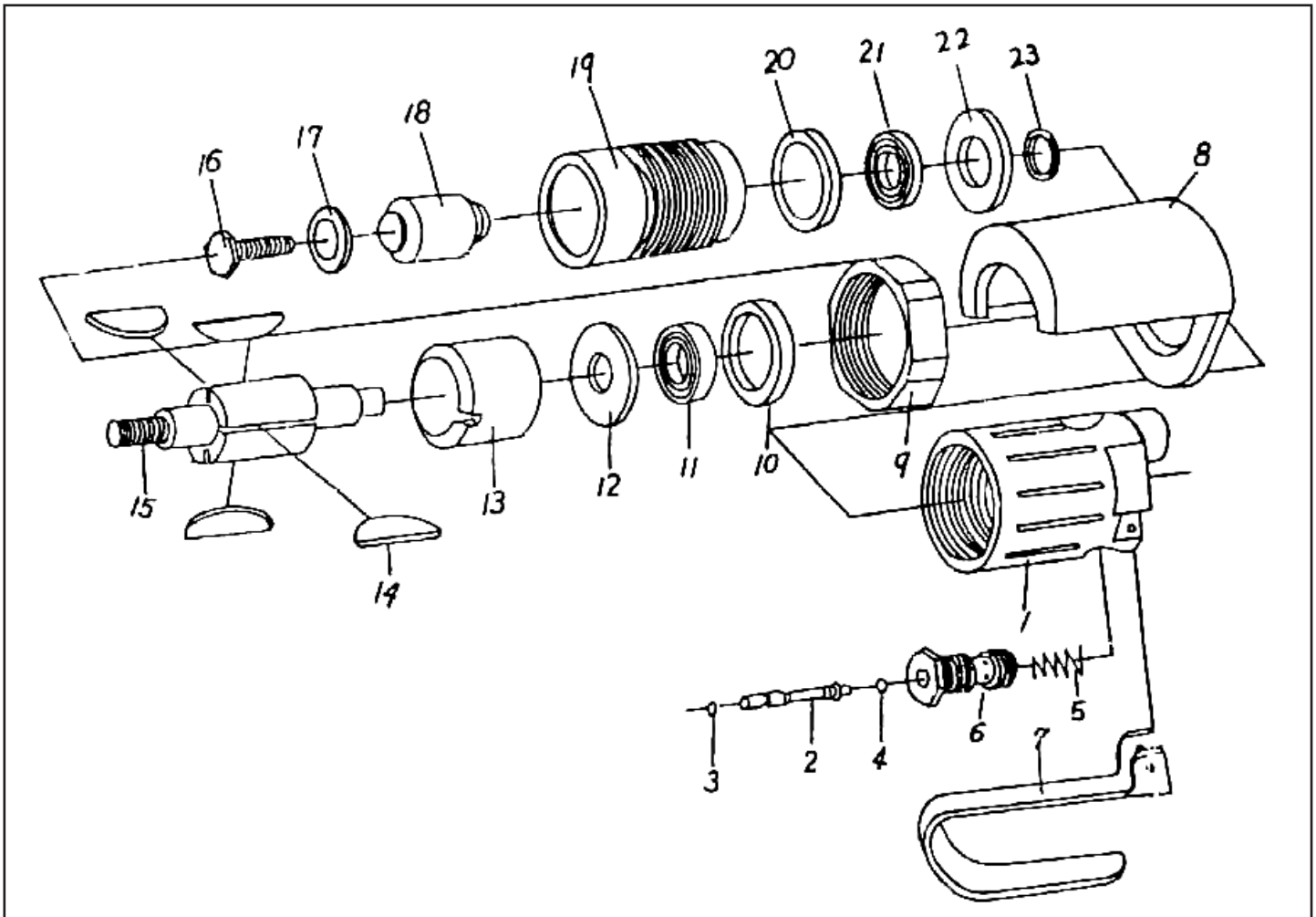




**MICHIGAN PNEUMATIC TOOL, INC.**

# MP-3801-ST Cut Off Tool



Index	Part No.	Description	Qty.
1	T-0238-1-01	Body	1
2	T-0268-0-03	Valve Stem	1
3	T-0265-1-13	O-Ring	1
4	T-0271-0-10	O-Ring	1
5	T-0272-0-03	Valve Stem Spring	1
6	T-0268-0-04	Throttle	1
7	T-0268-0-05	Trigger	1
8	T-0628-2-06	Guard	1
9	T-0625-3-20	Housing Lock Ring	1
10	T-0265-3-29	Bushing Front End	1
11	T-0265-3-27	Bearing	1
12	T-0265-3-26	Front End Plate	1

Index	Part No.	Description	Qty.
13	T-0265-3-22	Cylinder	1
14	T-0265-3-23	Vanes	1
15	T-0268-3-12	Rotor	1
16	T-0268-0-11	Screw	1
17	T-0268-0-10	Washer	1
18	T-0268-0-09	Disc Retainer	1
19	T-0268-3-21	Cylinder Housing	1
20	T-0265-3-29	Bushing Front End	1
21	T-0265-3-27	Bearing	1
22	T-0265-3-25	Rear End Plate	1
23	T-0265-3-28	Spacer	1