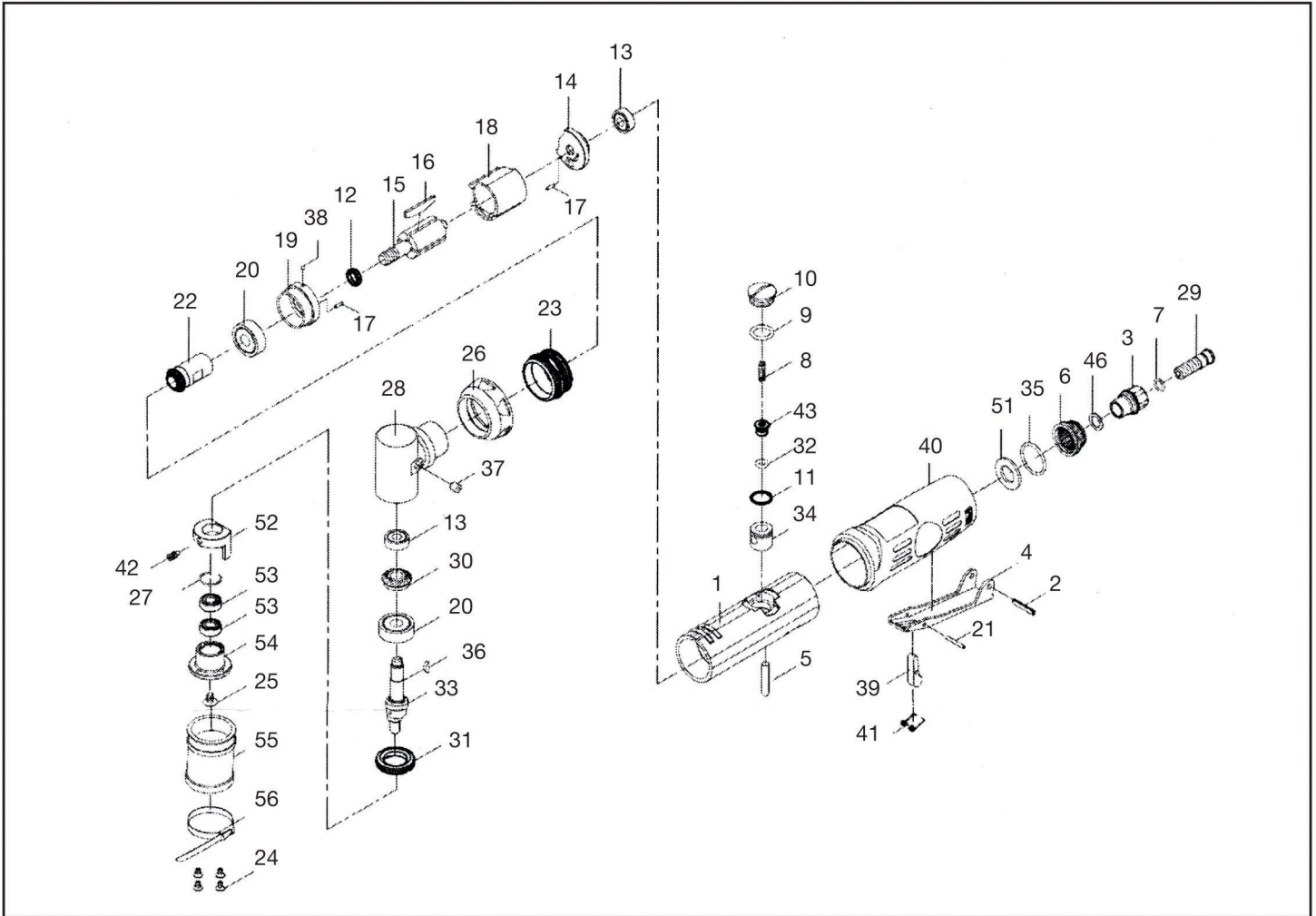




MICHIGAN PNEUMATIC TOOL, INC.

MP-3660-ST Nib Removal Sander



Index	Part No.	Description	Qty.
1	522201	Motor Housing	1
2	40337	Lever Pin	1
3	522203-21	Air Inlet	1
4	52-522504	Throttle Lever	1
5	52-522505	Valve Shaft	1
6	52206	Deflector	1
7	OR00705105	O-Ring	1
8	522208	Spring	1
9	70109	O-Ring	1
10	52-522510	Valve Screw	1
11	52236	O-Ring	1
12	52212	Rotor Spacer	1
13	052213	Ball Bearing	2
14	52214	Rear End Plate	1
15	52215	Rotor	1
16	52216	Vane	4
17	30117	Spring Pin	2
18	52218	Cylinder	1
19	52219	Front End Plate	1
20	030120	Ball Bearing	2
21	522220	Spring Pin	1
22	52222	Pinion Gear	1
23	522223	Front Coupling	1
24	60-523535	Screw	4
25	60-523526	Screw	1

Index	Part No.	Description	Qty.
26	522226	Front Cap	1
27	60-523520	Ring	1
28	56228	Head	1
29	60-523541	Fixed Shaft	1
30	52230	Bevel Gear	1
31	52231	Lock Ring	1
32	30107	O-Ring	1
33	60-523524	Balancer Shaft	1
34	522236	Bushing	1
35	52235	O-Ring	1
36	52232	Key	1
37	56237	Oil Cap	1
38	52245	Steel Ball	1
39	51540-228	Safety Bar	1
40	52-522553	Grip	1
41	522212	Spring	1
42	60-523522	Screw	1
43	522240	Throttle Valve	1
46	522243	Washer	1
51	522250	Damping Material	1
52	60-523523	Balancer	1
53	062045-12	Ball Bearing	2
54	60-523521	Driving Guard	1
55	60-523525	Shroud	1
56	60-523527	Clip	1

082412Rev1AGH | rd