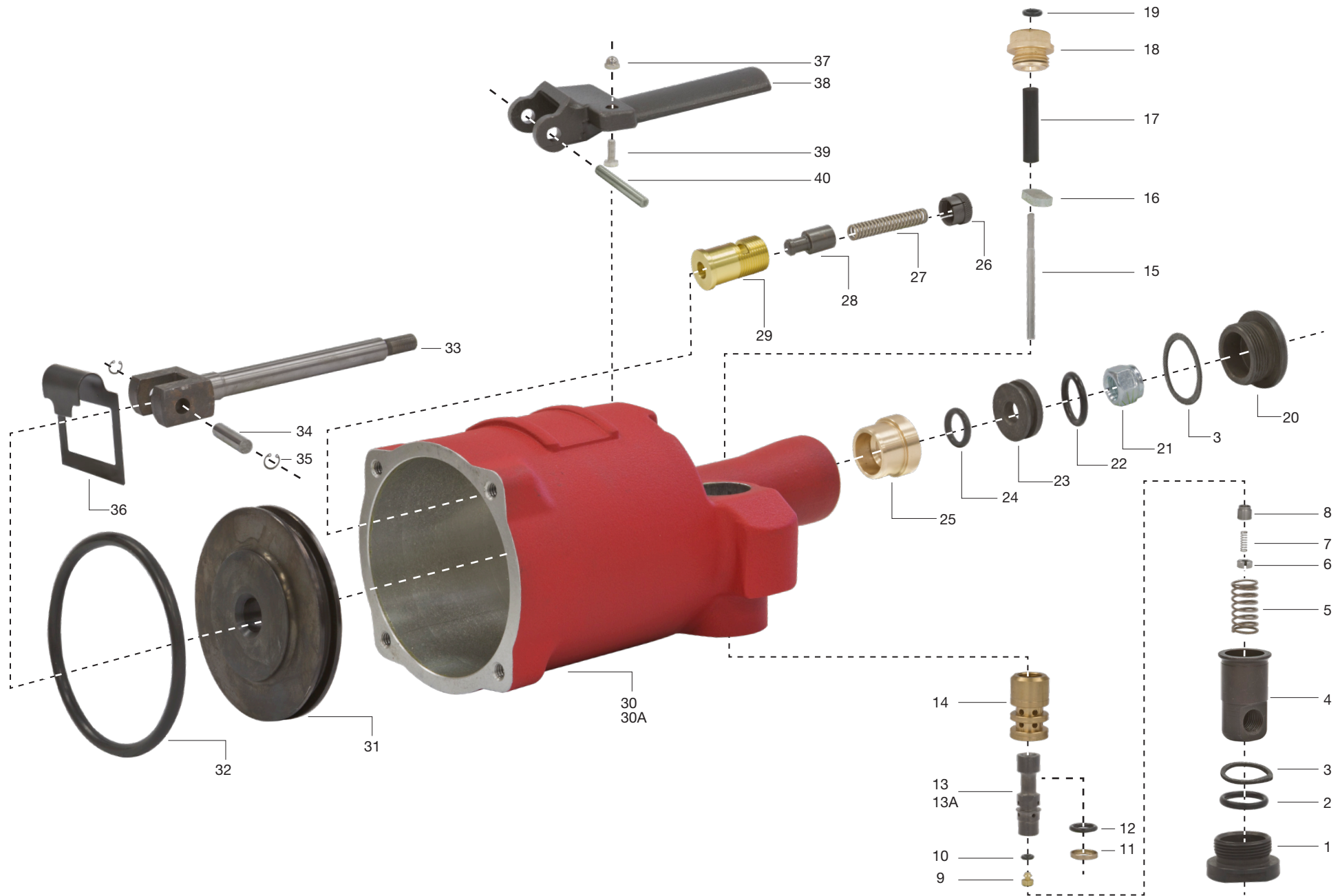




MICHIGAN PNEUMATIC TOOL, INC.

MP-355C Compression Riveter-P078072 Power Unit Complete





MICHIGAN PNEUMATIC TOOL, INC.

MP-355C Compression Riveter-P078072 Power Unit

Index	Part No.	Description	Qty.
1	P073054	Swivel Air Inlet Nut	1
2	OR-6227-18	O-Ring	1
3	P073009	Gasket	2
4	P089178	Air Inlet Swivel	1
5	P073057	Outer Throttle Valve Spring	1
6	P073018	Inner Valve Spring Retainer	1
7	P073017	Inner Throttle Valve Spring	1
8	P089289	Inner Throttle valve	1
9	P089290	O-Ring Holder	1
10	OR-6227-1	O-Ring	1
11	P089288	Outer O-Ring Retainer	1
12	OR-6227-9	Outer O-Ring	1
13	P089287	Outer Throttle Valve	1
13A	P087561	Throttle Valve Complete (Includes #6-#13)	1
14	P073056	Throttle Valve Bushing	1
15	P073059	Valve Stem	1
16	P073060	Valve Stem Block	1
17	P073058	Throttle Valve Stem	1
18	P073014	Valve Stem Bushing (Includes #19)	1
19	OR-6227-4	Bushing O-Ring	1
20	P073008	Return Cylinder Gasket	1
21	P070438	Piston Rod Nut	1

Index	Part No.	Description	Qty.
22	OR-6227-15	O-Ring	1
23	P089740	Return Piston	1
24	OR-6227-10	O-Ring	1
25	P057199	Piston Rod Bushing (includes #24)	1
26	P078068	Regulator Knob	1
27	P073957	Regulator Spring	1
28	P073956	Regulator Valve	1
29	P074242	Regulator Body Insert	1
30	P078076	Cylinder Complete (Includes #14,#25,#29)	1
30A	P078075	Cylinder and Regulator Complete (Includes #26,#27,#28, #30)	1
31	P089737	Piston	1
32	OR-6227-41	Piston O-Ring	1
33	P089738	Piston Rod (Includes #34 and #35)	1
34	P042845	Piston Rod Pin	1
35	5000-31	Retaining Ring	2
36	P089741	Wedge Spring	1
37	H072480	Adjusting Screw Nut	1
38	P073052	Throttle Lever	1
39	P073115	Adjusting Screw	1
40	P073085	Lever Pin	1



MICHIGAN PNEUMATIC TOOL, INC.

MP-355C Compression Riveter-355CON Tandem Conversion Unit

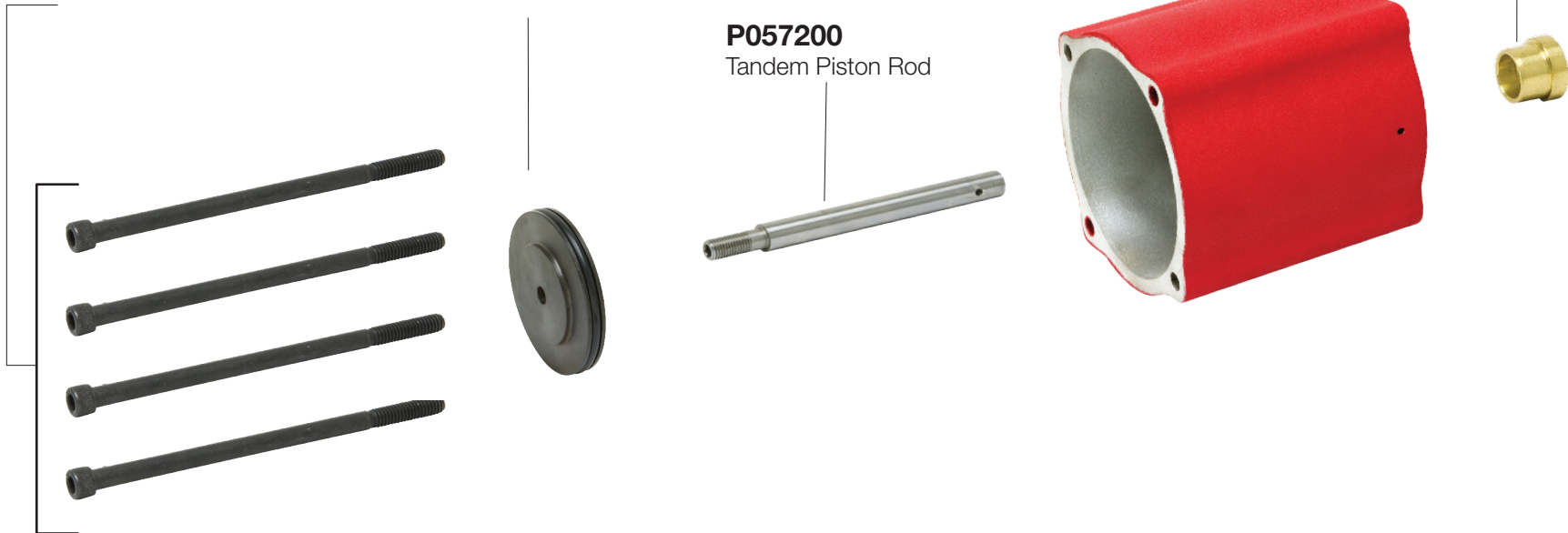
CS-UNC20127
Allen Cap Screw (4)

P057198 w/ OR-6227-41
Tandem Piston w/ O-Ring

P057200
Tandem Piston Rod

P057194
Cylinder

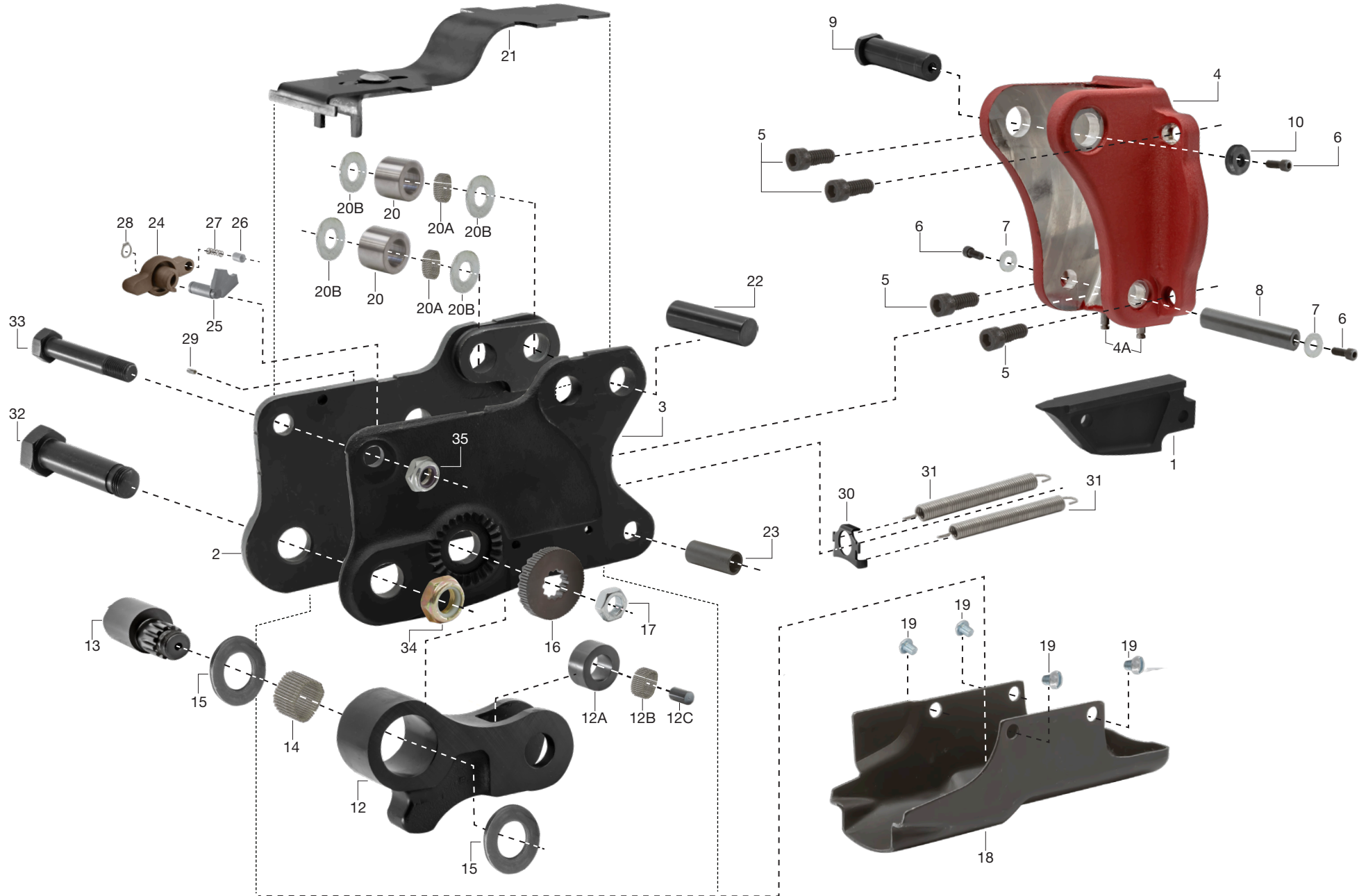
P057199
Piston Rod Bushing w/ O-Ring





MICHIGAN PNEUMATIC TOOL, INC.

MP-355C Compression Riveter-P078126 Yoke Frame Complete





MICHIGAN PNEUMATIC TOOL, INC.

MP-355C Compression Riveter-P078126 Yoke Frame Complete

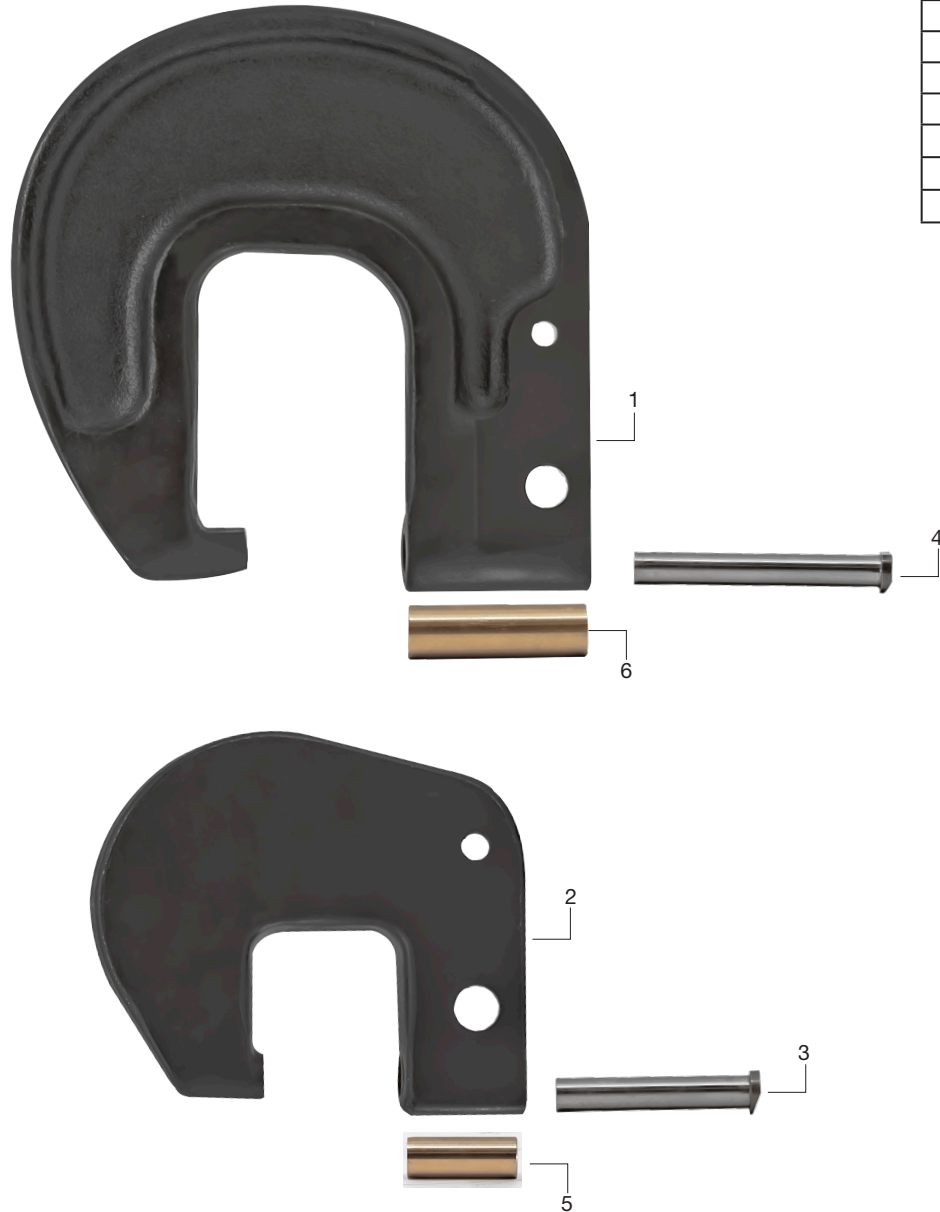
Index	Part No.	Description	Qty.
1	P089742	Wedge	1
2	P089779	Frame Yoke (Left Side)	1
3	P089780	Frame Yoke (Right Side)	1
4	P089778	Adapter Cylinder (includes #4A)	1
4A	P089743	Return Spring Pin	
5	P073025	Screw-Allen Cap	4
6	P070492	Screw Allen Cap	3
7	G072721	Washer Yoke Frame Pin	2
8	P089758	Pin Yoke Frame	1
9	P089755	Shaft-Roller	1
10	P089756	Washer-Roller	1
12	P089746	Lever-Set-Holder	1
12A	P089749	Lever Roller	1
12B	P089751	Roller Needle Bearing	1
12C	P089750	Roller Shaft	1
13	P089744	Shaft-Eccentric	1
14	P089747	Bearing-Lever Needle	38
15	P089748	Washer-Lever	2
16	P089745	Knob-Grip Adjustment	1

Index	Part No.	Description	Qty.
17	C068527	Nut-Grip adj.	1
18	P089776	Guard-Return Spring	1
19	P073041	Screw-Guard (Round Hd.)	4
20	P089752	Roller Stationary Frame	2
20A	P073031	Roller Needle	50
20B	P089753	Roller Washer	4
21	P087672	Guard-Yoke Frame Roller	1
22	P089754	Shaft-Stationary	1
23	P089757	Spacer-Yoke Frame	1
24	P087630	Knob- Gap adjusting	1
25	P089765	Cam-Gap Adjusting	1
26	P089769	Button Pin	1
27	CA088866	Spring-Knob	1
28	P084218	Ring-Retaining	1
29	P089767	Pin-Knob Roll	1
30	P089775	Yoke-Return Spring	1
31	P074755	Spring-Return	2
32	P089771	Bolt-Yoke	1
33	P089773	Bolt-Yoke	1
34	P089772	Nut-Yoke Bolt	1
35	S021260	Nut-Yoke Bolt	1



MICHIGAN PNEUMATIC TOOL, INC.

MP-355C Compression Riveter-P078126 Yoke Frame Complete



Index	Part No.	Description	Qty.
1	P093213	Yoke (4-3/8" Reach) Incl: P093215	1
2	P089777	Yoke (2-1/8" Reach) Incl:P0089770	1
3	P089774	Holder Set (P089777 Yoke)	1
4	P093214	Holder Set (P93213 Yoke)	1
5	P089770	Bushing-Yoke (P089777 Yoke)	1
6	P093215	Bushing-Yoke (P093213 Yoke)	1