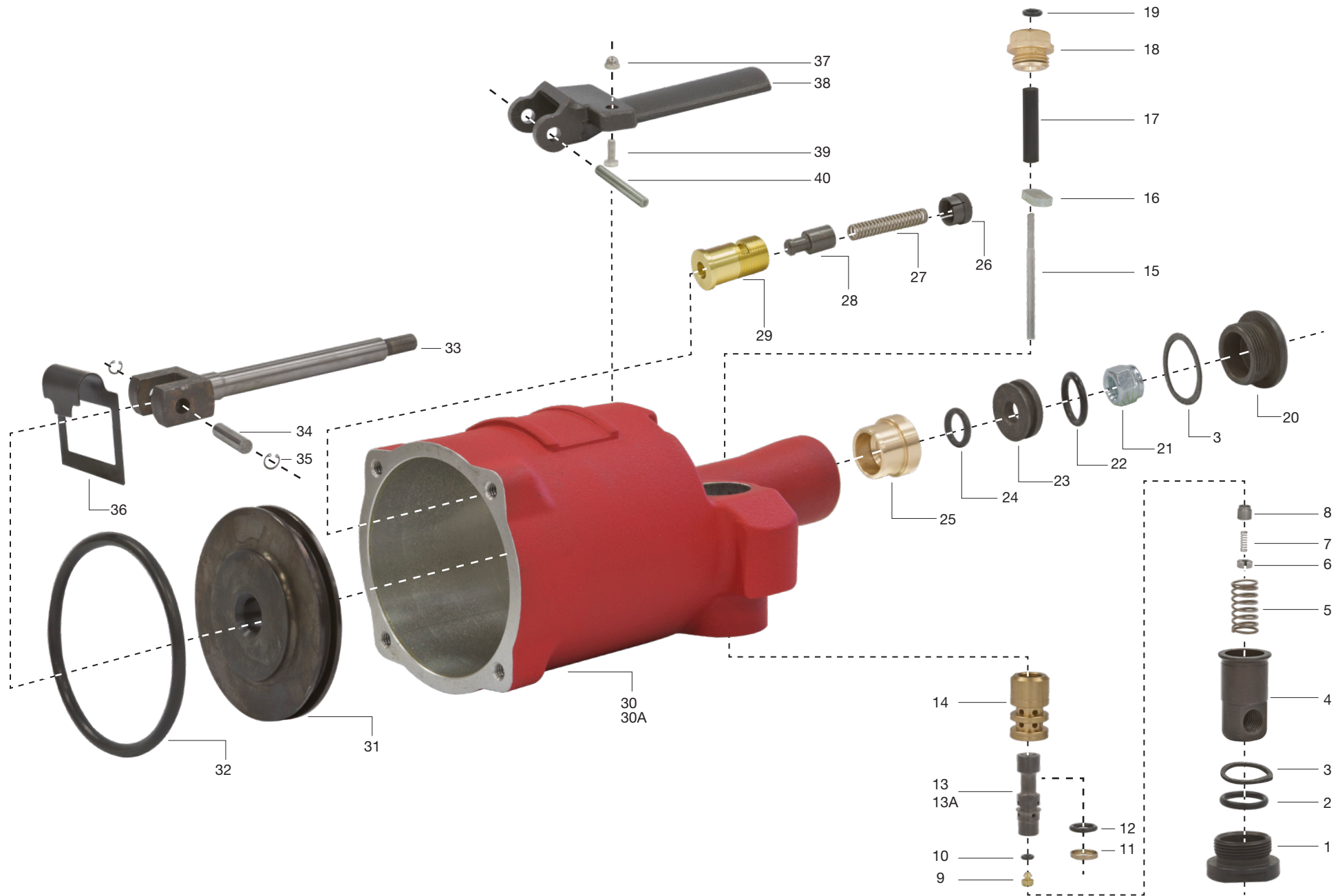




MICHIGAN PNEUMATIC TOOL, INC.

MP-351A Compression Riveter P078074 Power Unit Complete





MICHIGAN PNEUMATIC TOOL, INC.

MP-351A Compression Riveter **P078074** Power Unit Complete Parts

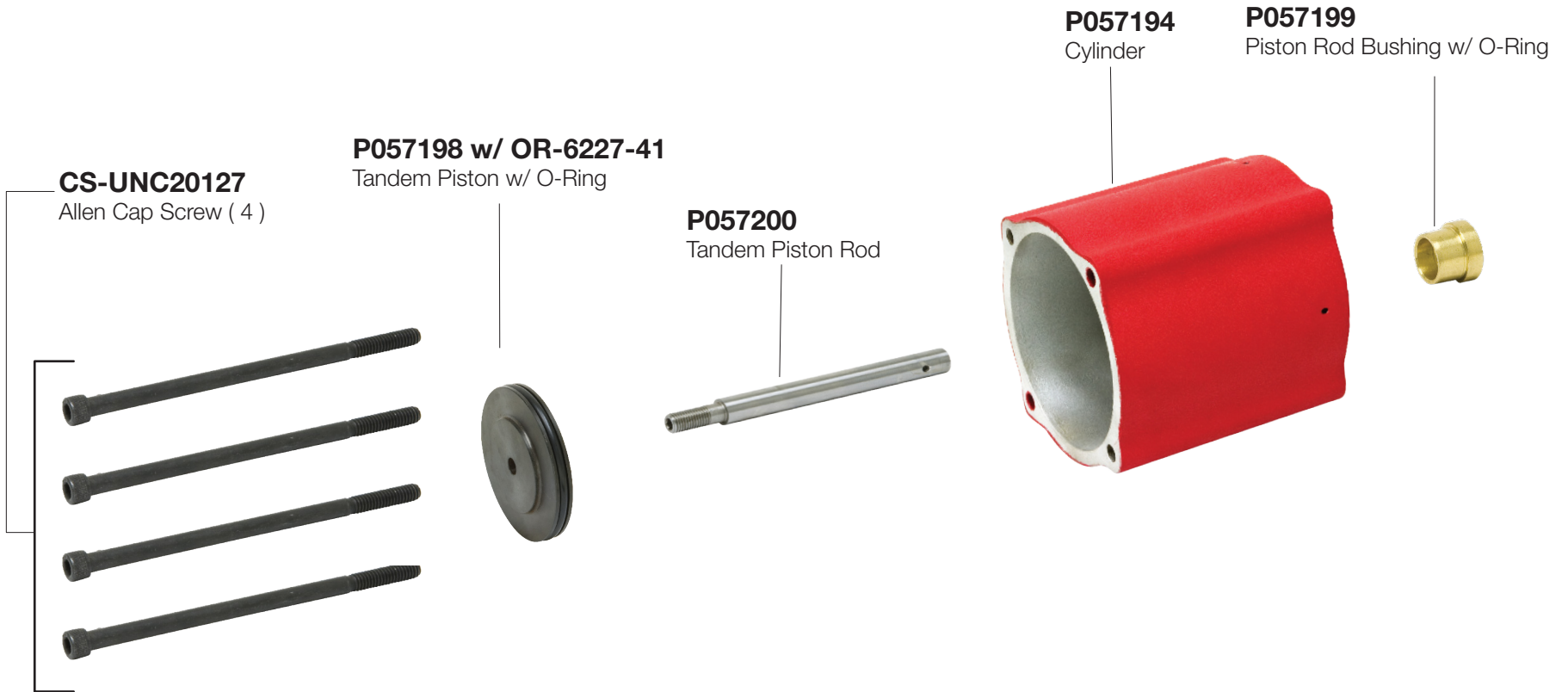
Index	Part No.	Description	Qty.
1	P073054	Swivel Air Inlet Nut	1
2	OR-6227-18	O-Ring	1
3	P073009	Gasket	2
4	P089178	Air Inlet Swivel	1
5	P073057	Outer Throttle Valve Spring	1
6	P073018	Inner Valve Spring Retainer	1
7	P073017	Inner Throttle Valve Spring	1
8	P089289	Inner Throttle Valve	1
9	P089290	O-Ring Holder	1
10	OR-6227-1	O-Ring	1
11	P089288	Outer O-Ring Retainer	1
12	OR-6227-9	Outer O-Ring	1
13	P089287	Outer Throttle Valve	1
13A	P087561	Throttle Valve Complete (Includes #6-#13)	1
14	P073056	Throttle Valve Bushing	1
15	P073059	Valve Stem	1
16	P073060	Valve Stem Block	1
17	P073058	Throttle Valve Stem	1
18	P073014	Valve Stem Bushing (Includes #19)	1
19	OR-6227-4	Bushing O-Ring	1
20	P073008	Return Cylinder Cap	1

Index	Part No.	Description	Qty.
21	P070438	Piston Rod Nut	1
22	OR-6227-15	O-Ring	1
23	P089740	Return Piston	1
24	OR-6227-10	O-Ring	1
25	P057199	Piston Rod Bushing (includes #24)	1
26	P078068	Regulator Knob	1
27	P073957	Regulator Spring	1
28	P073956	Regulator Valve	1
29	P074242	Regulator Body Insert	1
30	P078076	Cylinder Complete (Includes #14, #25, #29)	1
30A	P078075	Cylinder and Regulator Complete (Includes #26, #27, #28, #30)	1
31	P089737	Piston	1
32	OR-6227-41	Piston O-Ring	1
33	P073020	Piston Rod	1
33A	P077832	Piston and Rod Complete (Includes #31-#33)	1
34	P073116	Piston Rod Pin	1
35	P074672	Retaining Ring	2
36	P074326	Wedge Spring	1
37	H072480	Adjusting Screw Nut	1
38	P073052	Throttle Lever	1
39	P073115	Adjusting Screw	1
40	P073085	Lever Pin	1



MICHIGAN PNEUMATIC TOOL, INC.

MP-351A Compression Riveter **P078072** Power Unit Complete

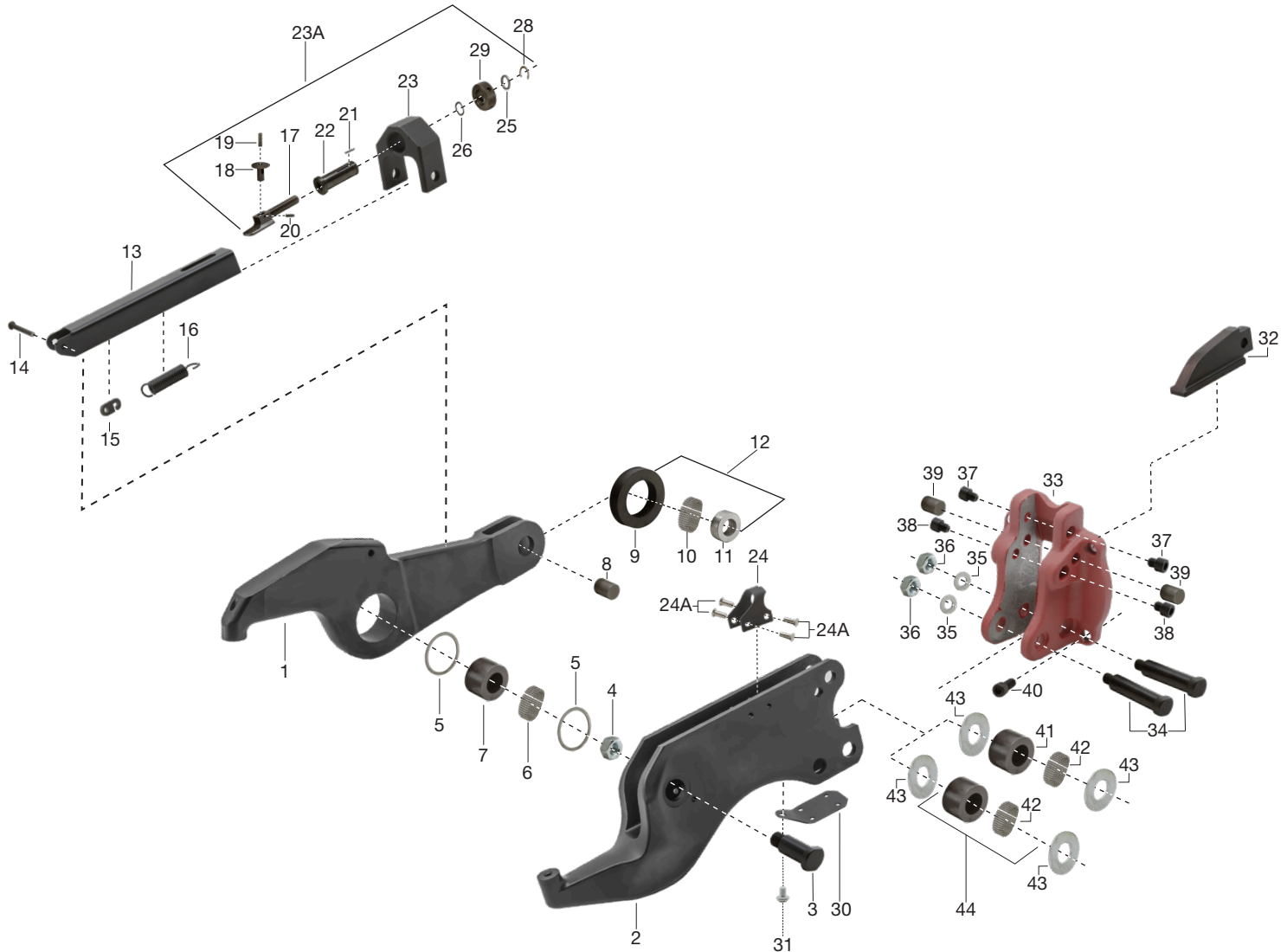




MICHIGAN PNEUMATIC TOOL, INC.

MP-351A Compression Riveter P078659 CR-1/ P118227 CR-2 2-7/8" Compression

Front End Unit Parts





MICHIGAN PNEUMATIC TOOL, INC.

MP-351A Compression Riveter P078659 CR-1 2-7/8" Compression Front End Unit Parts

Index	Part No.	Description	Qty.
1	P073088	Jaw-Moving CR-1	1
2	P073089	Jaw-Stationary CR-1 (Includes #24 & 4 Pcs of #24A)	1
3	P073108	Bolt-Bearing	1
4	N3-UNF40G5Z	Nut Bolt	1
5	P073111	Thrust-Washer	2
6	P073112	Roller-Bearing	39
7	P073110	Race-Bearing	1
8	P081936	Shaft-Bearing End	1
9	P073102	Roller-Bearing	1
10	S067191	Bearing Roller	52
11	P073101	Race-Inner Bearing	1
12	P078603	End Bearing Assembly (Includes #9 & #11 & 52 Pcs of #10)	1
13	P074308	Guard Spring	1
14	G084533	Rivet-Guard	1
15	P073103	Link-Spring	1
16	P073106	Spring-Return	1
17	P074315	Screw-Adjusting	1
18	P074316	Button-Escape	1
19	P074317	Spring-Button	1
20	P074318	Pin-Retaining	1
21	P073078	Pin-Wheel Thumb	1
22	P080156	Sleeve-Wheel	1

Index	Part No.	Description	Qty.
23	P074310	Bracket-Adjustable	1
23A	P078596	Stroke Adj.Comp. (Includes #17-#29)	1
24	P073091	Anchor-Spring	1
24A	P073092	Rivet-Anchor	4
25	P074320	Washer-Wheel Thumb	1
26	P074300	Washer-Friction	1
28	P074314	Washer-Retainer	1
29	P080155	Wheel-Thumb	1
30	P073099	Guard-Roller	1
31	P073041	Screw-Roller Guard	1
32	P073090	Wedge (Not Included with #P078659 Assembly)	1
33	P073087	Adapter-Cylinder	1
34	P073095	Bolt-Jaw	2
35	P073096	Washer	2
36	P003093	Nut-Jaw	2
37	P073514	Screw-Guide	2
38	P073094	Screw-Jaw	2
39	P073093	Dowel-Jaw	2
40	P073025	Screw-Adapter	4
41	P073097	Roller	2
42	P073031	Bearing-Roller	44
43	P073098	Washer-Thrust	4
44	P078604	Roller Assembly (Includes #44 & 22 Pcs of #42)	2



MICHIGAN PNEUMATIC TOOL, INC.

MP-351A Compression Riveter P118227 CR-2 2-7/8" Compression

Front End Unit Parts

Index	Part No.	Description	Qty.
1	P074307	Jaw-Moving CR-2	1
2	P074306	Jaw-Stationary CR-2 (Includes #24 & 4 Pcs of #24A)	1
3	P073108	Bolt-Bearing	1
4	N3-UNF40G5Z	Nut Bolt	1
5	P073111	Thrust-Washer	2
6	P073112	Roller-Bearing	39
7	P073110	Race-Bearing	1
8	P081936	Shaft-Bearing End	1
9	P073102	Roller-Bearing	1
10	S067191	Bearing Roller	52
11	P073101	Race-Inner Bearing	1
12	P078603	End Bearing Assembly (Includes #9 & #11 & 52 Pcs of #10)	1
13	P074308	Guard Spring	1
14	G084533	Rivet-Guard	1
15	P073103	Link-Spring	1
16	P073106	Spring-Return	1
17	P074315	Screw-Adjusting	1
18	P074316	Button-Escape	1
19	P074317	Spring-Button	1
20	P074318	Pin-Retaining	1
21	P073078	Pin-Wheel Thumb	1
22	P080156	Sleeve-Wheel	1

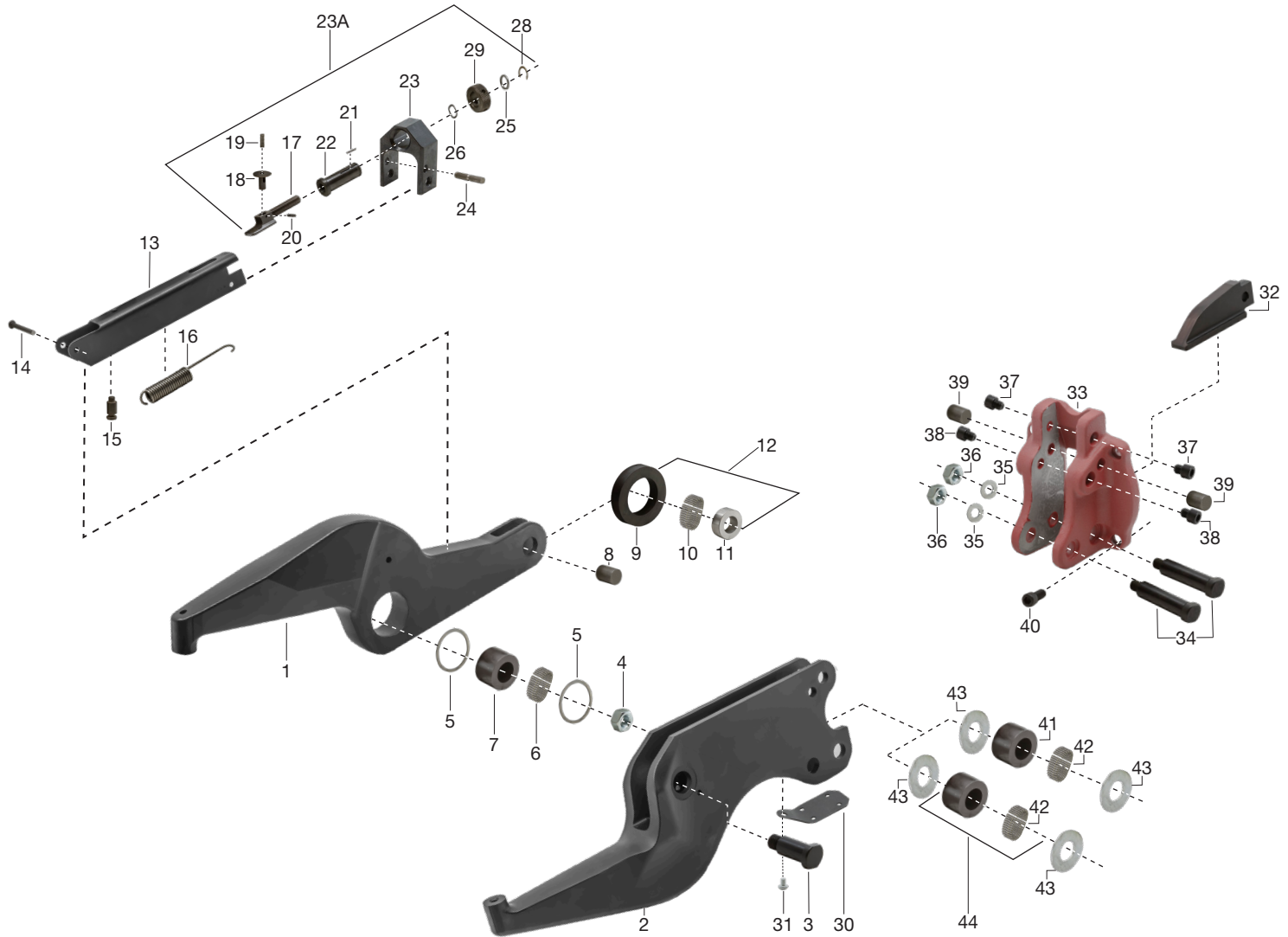
Index	Part No.	Description	Qty.
23	P074310	Bracket-Adjustable	1
23A	P078596	Stroke Adj.Comp. (Includes #17-#29)	1
24	P073091	Anchor-Spring	1
24A	P073092	Rivet-Anchor	4
25	P074320	Washer-Wheel Thumb	1
26	P074300	Washer-Friction	1
28	P074314	Washer-Retainer	1
29	P080155	Wheel-Thumb	1
30	P073099	Guard-Roller	1
31	P073041	Screw-Roller Guard	1
32	P073090	Wedge (Not Included with #P118227 Assembly)	1
33	P073087	Adapter-Cylinder	1
34	P073095	Bolt-Jaw	2
35	P073096	Washer	2
36	P003093	Nut-Jaw	2
37	P073514	Screw-Guide	2
38	P073094	Screw-Jaw	2
39	P073093	Dowel-Jaw	2
40	P073025	Screw-Adapter	4
41	P073097	Roller	2
42	P073031	Bearing-Roller	44
43	P073098	Washer-Thrust	4
44	P078604	Roller Assembly (Includes #44 & 22Pcs #42)	2



MICHIGAN PNEUMATIC TOOL, INC.

MP-351A Compression Riveter P078660 CR-1/ P115250 CR-2 5" Compression

Front End Unit Parts





MICHIGAN PNEUMATIC TOOL, INC.

MP-351A Compression Riveter P078660 CR-1 5" Compression

Front End Unit Parts

Index	Part No.	Description	Qty.
1	P073244	Jaw-Moving CR-1	1
2	P073243	Jaw-Stationary CR-1	1
3	P073108	Bolt-Bearing	1
4	N3-UNF40G5Z	Nut Bolt	1
5	P073111	Thrust-Washer	2
6	P073112	Roller-Bearing	39
7	P073110	Race-Bearing	1
8	P081936-New	Shaft-Bearing End	1
9	P073102	Roller-Bearing	1
10	S067191	Bearing Roller	52
11	P073101	Race-Inner Bearing	1
12	P078603	End Bearing Assembly <small>(Includes No's #9,#11, & 52 Pcs of #10)</small>	1
13	P074309	Guard Spring	1
14	G084533	Rivet-Guard	1
15	P073236	Stud-Spring	1
16	P073245	Spring-Return	1
17	P074315	Screw-Adjusting	1
18	P074316	Button-Escape	1
19	P074317	Spring-Button	1
20	P074318	Pin-Retaining	1
21	NP-1.58	Pin-Wheel Thumb	1
22	P080156	Sleeve-Wheel	1

Index	Part No.	Description	Qty.
23	P074311	Bracket-Adjustable	1
23A	P078595	Stroke Adj.Comp. <small>(Includes #17-#29)</small>	1
24	P073246	Pin-Spring	1
25	P074320	Washer-Wheel Thumb	1
26	P074300	Washer-Friction	1
28	P074314	Washer-Retainer	1
29	P080155	Wheel-Thumb	1
30	P073099	Guard-Roller	1
31	P073041	Screw-Roller Guard	1
32	P073090	Wedge <small>(Not Included with #P078660 Assembly)</small>	1
33	P073087	Adapter-Cylinder	1
34	P073095	Bolt-Jaw	2
35	P073096	Washer	2
36	P003093-AL	Nut-Jaw	2
37	P073514	Screw-Guide	2
38	P073094	Screw-Jaw	2
39	P073093	Dowel-Jaw	2
40	CS-UNC2016	Screw-Adapter	4
41	P073097	Roller	2
42	P073031	Bearing-Roller	44
43	P073098	Washer-Thrust	4
44	P078604	Roller Assembly <small>(Includes #41 & 22 Pcs of 42)</small>	2



MICHIGAN PNEUMATIC TOOL, INC.

MP-351A Compression Riveter P115250 CR-2 5" Compression

Front End Unit Parts

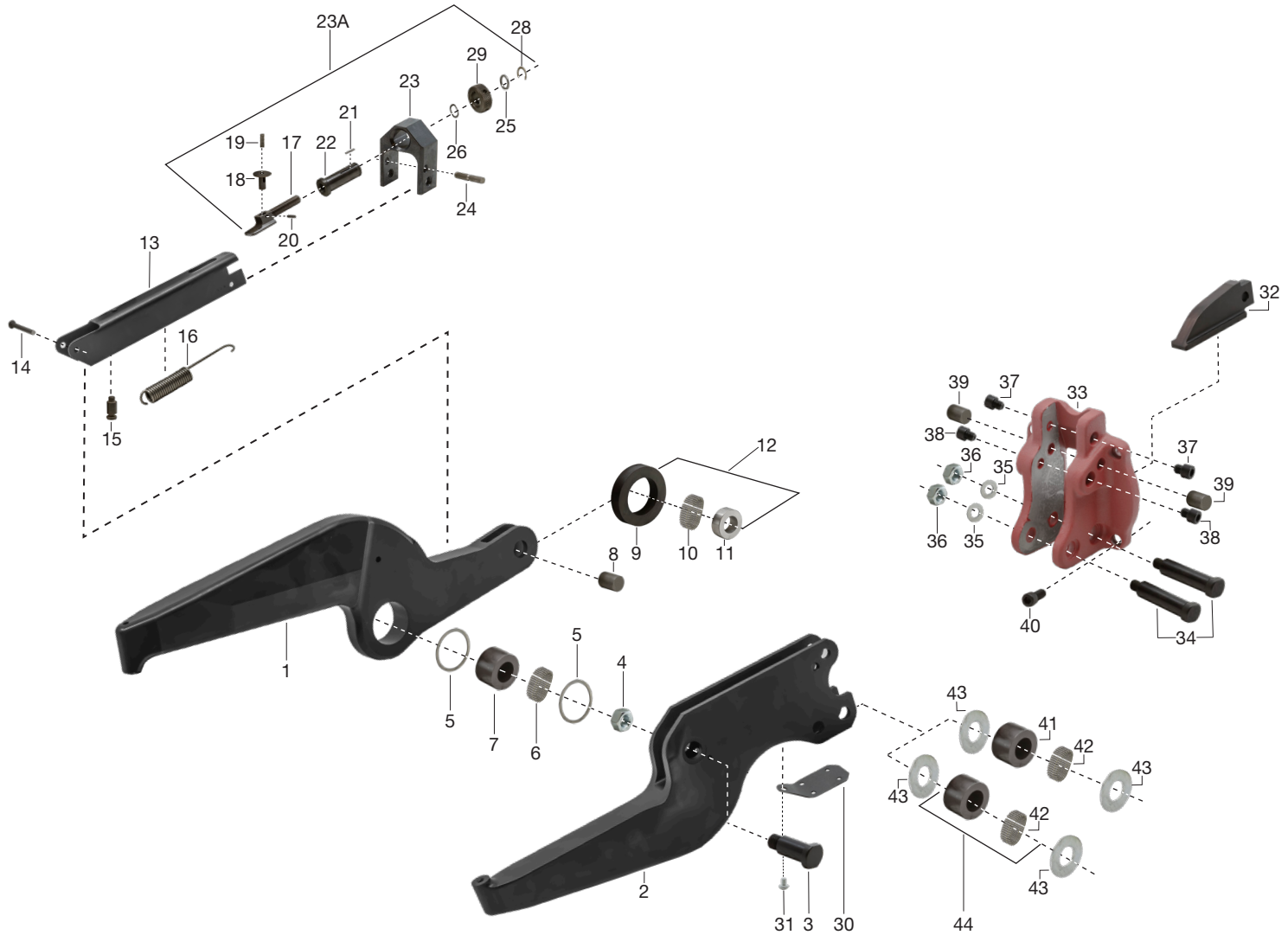
Index	Part No.	Description	Qty.
1	P018725	Jaw-Moving CR-2	1
2	P018724	Jaw-Stationary CR-2	1
3	P073108	Bolt-Bearing	1
4	N3-UNF40G5Z	Nut Bolt	1
5	P073111	Thrust-Washer	2
6	P073112	Roller-Bearing	39
7	P073110	Race-Bearing	1
8	P081936-New	Shaft-Bearing End	1
9	P073102	Roller-Bearing	1
10	S067191	Bearing Roller	52
11	P073101	Race-Inner Bearing	1
12	P078603	End Bearing Assembly (Includes #9, #11 & 52 Pcs of #10)	1
13	P074309	Guard Spring	1
14	G084533	Rivet-Guard	1
15	P073236	Stud-Spring	1
16	P073245	Spring-Return	1
17	P074315	Screw-Adjusting	1
18	P074316	Button-Escape	1
19	P074317	Spring-Button	1
20	P074318	Pin-Retaining	1
21	NP-1.58	Pin-Wheel Thumb	1
22	P080156	Sleeve-Wheel	1

Index	Part No.	Description	Qty.
23	P074311	Bracket-Adjustable	1
23A	P078595	Stroke Adj.Comp. (Includes #17-#29)	1
24	P073246	Pin-Spring	1
25	P074320	Washer-Wheel Thumb	1
26	P074300	Washer-Friction	1
28	P074314	Washer-Retainer	1
29	P080155	Wheel-Thumb	1
30	P073099	Guard-Roller	1
31	P073041	Screw-Roller Guard	1
32	P073090	Wedge (Not Included with #P115250 Assembly)	1
33	P073087	Adapter-Cylinder	1
34	P073095	Bolt-Jaw	2
35	P073096	Washer	2
36	P003093-AL	Nut-Jaw	2
37	P073514	Screw-Guide	2
38	P073094	Screw-Jaw	2
39	P073093	Dowel-Jaw	2
40	CS-UNC2016	Screw-Adapter	4
41	P073097	Roller	2
42	P073031	Bearing-Roller	44
43	P073098	Washer-Thrust	4
44	P078604	Roller Assembly (Includes #41 & 22 Pcs of #42)	2



MICHIGAN PNEUMATIC TOOL, INC.

MP-351A Compression Riveter P087668 CR-1/ P115251 CR-2 7" Compression Front End Unit Parts





MICHIGAN PNEUMATIC TOOL, INC.

MP-351A Compression Riveter P087668 CR-1 7" Compression

Front End Unit Parts

Index	Part No.	Description	Qty.
1	P088831	Jaw-Moving CR-1	1
2	P088832	Jaw-Stationary CR-1	1
3	P073108	Bolt-Bearing	1
4	N3-UNF40G5Z	Nut Bolt	1
5	P073111	Thrust-Washer	2
6	P073112	Roller-Bearing	39
7	P073110	Race-Bearing	1
8	P081936-New	Shaft-Bearing End	1
9	P073102	Roller-Bearing	1
10	S067191	Bearing Roller	52
11	P073101	Race-Inner Bearing	1
12	P078603	End Bearing Assembly <small>(Includes No's #9,#11, & 52 Pcs of #10)</small>	1
13	P074322	Guard Spring	1
14	G084533	Rivet-Guard	1
15	P073236	Stud-Spring	1
16	P073245	Spring-Return	1
17	P074315	Screw-Adjusting	1
18	P074316	Button-Escape	1
19	P074317	Spring-Button	1
20	P074318	Pin-Retaining	1
21	NP-1.58	Pin-Wheel Thumb	1
22	P080156	Sleeve-Wheel	1

Index	Part No.	Description	Qty.
23	P074311	Bracket-Adjustable	1
23A	P078595	Stroke Adj.Comp. <small>(Includes #17-#29)</small>	1
24	P073246	Pin-Spring	1
25	P074320	Washer-Wheel Thumb	1
26	P074300	Washer-Friction	1
28	P074314	Washer-Retainer	1
29	P080155	Wheel-Thumb	1
30	P073099	Guard-Roller	1
31	P073041	Screw-Roller Guard	1
32	P073090	Wedge <small>(Not Included with #P087668 Assembly)</small>	1
33	P073087	Adapter-Cylinder	1
34	P073095	Bolt-Jaw	2
35	P073096	Washer	2
36	P003093-AL	Nut-Jaw	2
37	P073514	Screw-Guide	2
38	P073094	Screw-Jaw	2
39	P073093	Dowel-Jaw	2
40	CS-UNC2016	Screw-Adapter	4
41	P073097	Roller	2
42	P073031	Bearing-Roller	44
43	P073098	Washer-Thrust	4
44	P078604	Roller Assembly <small>(Includes #41 & 22 Pcs of #42)</small>	2



MICHIGAN PNEUMATIC TOOL, INC.

MP-351A Compression Riveter P115251 CR-2 7" Compression

Front End Unit Parts

Index	Part No.	Description	Qty.
1	P080112	Jaw-Moving CR-2	1
2	P080111	Jaw-Stationary CR-2	1
3	P073108	Bolt-Bearing	1
4	N3-UNF40G5Z	Nut Bolt	1
5	P073111	Thrust-Washer	2
6	P073112	Roller-Bearing	39
7	P073110	Race-Bearing	1
8	P081936-New	Shaft-Bearing End	1
9	P073102	Roller-Bearing	1
10	S067191	Bearing Roller	52
11	P073101	Race-Inner Bearing	1
12	P078603	End Bearing Assembly (Includes #9, #11 & 52 Pcs of #10)	1
13	P074322	Guard Spring	1
14	G084533	Rivet-Guard	1
15	P073236	Stud-Spring	1
16	P073245	Spring-Return	1
17	P074315	Screw-Adjusting	1
18	P074316	Button-Escape	1
19	P074317	Spring-Button	1
20	P074318	Pin-Retaining	1
21	NP-1.58	Pin-Wheel Thumb	1
22	P080156	Sleeve-Wheel	1

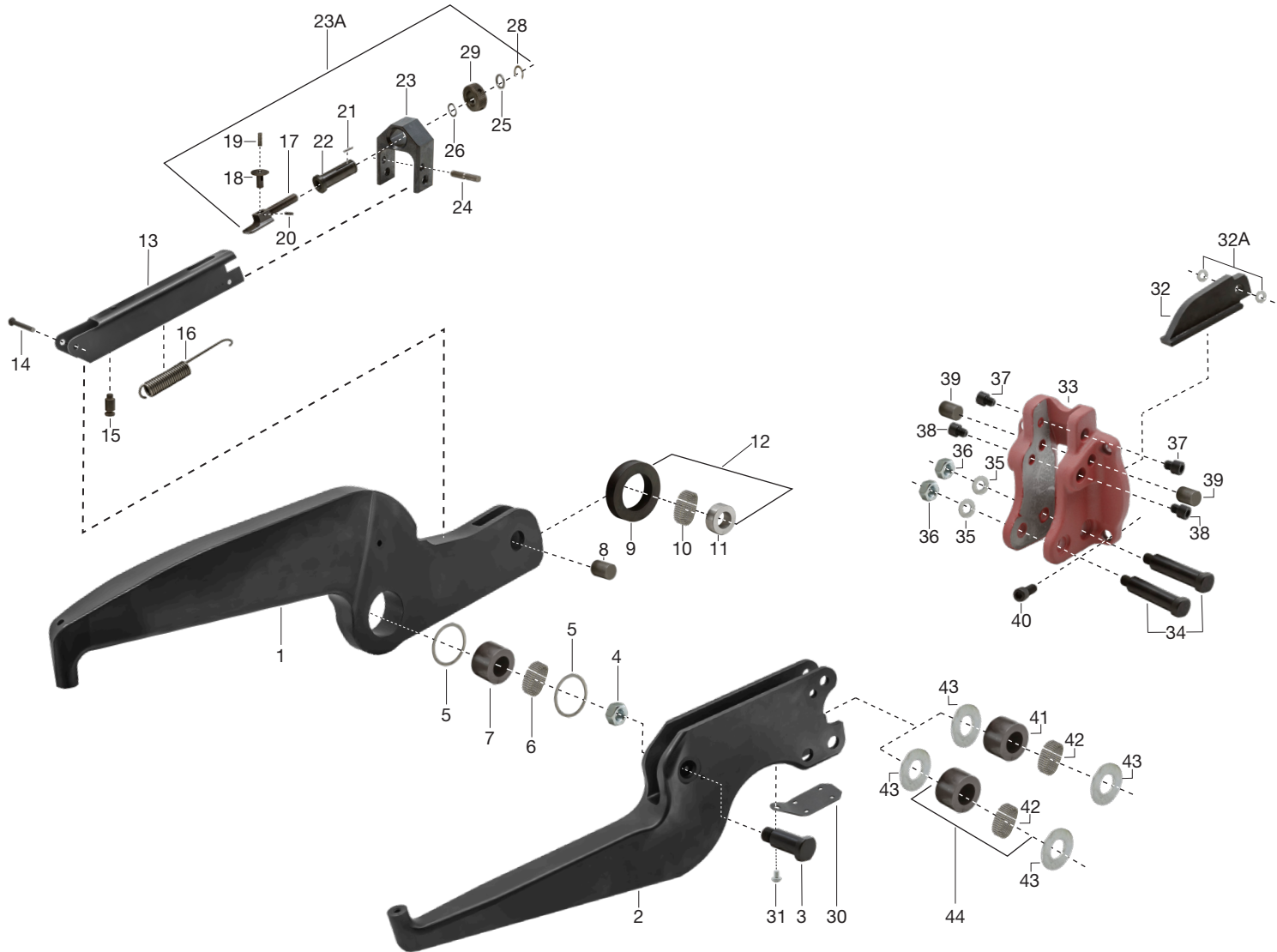
Index	Part No.	Description	Qty.
23	P074311	Bracket-Adjustable	1
23A	P078595	Stroke Adj.Comp. (Includes #17-#29)	1
24	P073246	Pin-Spring	1
25	P074320	Washer-Wheel Thumb	1
26	P074300	Washer-Friction	1
28	P074314	Washer-Retainer	1
29	P080155	Wheel-Thumb	1
30	P073099	Guard-Roller	1
31	P073041	Screw-Roller Guard	1
32	P073090	Wedge (Not Included with #P115251 Assembly)	1
33	P073087	Adapter-Cylinder	1
34	P073095	Bolt-Jaw	2
35	P073096	Washer	2
36	P003093-AL	Nut-Jaw	2
37	P073514	Screw-Guide	2
38	P073094	Screw-Jaw	2
39	P073093	Dowel-Jaw	2
40	CS-UNC2016	Screw-Adapter	4
41	P073097	Roller	2
42	P073031	Bearing-Roller	44
43	P073098	Washer-Thrust	4
44	P078604	Roller Assembly (Includes #41 & 22 Pcs of #42)	2



MICHIGAN PNEUMATIC TOOL, INC.

MP-351A Compression Riveter P078661 CR-1/ P118226 CR-2 9-1/8" Compression

Front End Unit Parts





MICHIGAN PNEUMATIC TOOL, INC.

MP-351A Compression Riveter P078661 CR-1 9-1/8" Compression

Front End Unit Parts

Index	Part No.	Description	Qty.
1	P082632	Jaw-Moving CR-1	1
2	P073748	Jaw-Stationary CR-1	1
3	P073108	Bolt-Bearing	1
4	N3-UNF40G5Z	Nut Bolt	1
5	P073111	Thrust-Washer	2
6	P073112	Roller-Bearing	39
7	P073110	Race-Bearing	1
8	P081936-NEW	Shaft-Bearing End	1
9	P082674	Roller-Bearing	1
10	S067191	Bearing Roller	58
11	P082673	Race-Inner Bearing	1
12	P078832	End Bearing Assembly (Includes #9, #11 & 58 Pcs of #10)	1
13	P074322	Guard Spring	1
14	G084533	Rivet-Guard	1
15	P073236	Stud-Spring	1
16	P073245	Spring-Return	1
17	P074315	Screw-Adjusting	1
18	P074316	Button-Escape	1
19	P074317	Spring-Button	1
20	P074318	Pin-Retaining	1
21	NP-1.58	Pin-Wheel Thumb	1
22	P080156	Sleeve-Wheel	1
23	P074311	Bracket-Adjustable	1

Index	Part No.	Description	Qty.
23A	P078595	Stroke Adj.Comp. (Includes #17-#29)	1
24	P073246	Anchor-Spring	1
25	P074320	Washer-Wheel Thumb	1
26	P074300	Washer-Friction	1
28	P074314	Washer-Retainer	1
29	P080155	Wheel-Thumb	1
30	P073099	Guard-Roller	1
31	P073041	Screw-Roller Guard	1
32	P082671	Wedge (Not Included with also #P078661 Assembly)	1
32A	P082672	Shim-Wedge (Not Included with also #P078661 Assembly)	2
33	P073087	Adapter-Cylinder	1
34	P073095	Bolt-Jaw	2
35	P073096	Washer	2
36	P003093	Nut-Jaw	2
37	P073514	Screw-Guide	2
38	P073094	Screw-Jaw	2
39	P073093	Dowel-Jaw	2
40	P073025	Screw-Adapter	4
41	P073097	Roller	2
42	P073031	Bearing-Roller	44
43	P073098	Washer-Thrust	4
44	P078604	Roller Assembly (Includes #41 & 22 Pcs of #42)	2



MICHIGAN PNEUMATIC TOOL, INC.

MP-351A Compression Riveter P090807 CR-2 9-1/8" Compression

Front End Unit Parts

Index	Part No.	Description	Qty.
1	P090807	Jaw-Moving CR-2	1
2	P018704	Jaw-Stationary CR-2	1
3	P073108	Bolt-Bearing	1
4	N3-UNF40G5Z	Nut Bolt	1
5	P073111	Thrust-Washer	2
6	P073112	Roller-Bearing	39
7	P073110	Race-Bearing	1
8	P081936-NEW	Shaft-Bearing End	1
9	P082674	Roller-Bearing	1
10	S067191	Bearing Roller	58
11	P082673	Race-Inner Bearing	1
12	P078832	End Bearing Assembly (Includes #9, #11 & 52 Pcs of #10)	1
13	P074322	Guard Spring	1
14	G084533	Rivet-Guard	1
15	P073236	Stud-Spring	1
16	P073245	Spring-Return	1
17	P074315	Screw-Adjusting	1
18	P074316	Button-Escape	1
19	P074317	Spring-Button	1
20	P074318	Pin-Retaining	1
21	NP-1.58	Pin-Wheel Thumb	1
22	P080156	Sleeve-Wheel	1
23	P074311	Bracket-Adjustable	1

Index	Part No.	Description	Qty.
23A	P078595	Stroke Adj.Comp. (Includes #17-#29)	1
24	P073246	Anchor-Spring	1
25	P074320	Washer-Wheel Thumb	1
26	P074300	Washer-Friction	1
28	P074314	Washer-Retainer	1
29	P080155	Wheel-Thumb	1
30	P073099	Guard-Roller	1
31	P073041	Screw-Roller Guard	1
32	P082671	Wedge (Not Included with also #P090807 Assembly)	1
32A	P082672	Shim-Wedge (Not Included with also #P090807 Assembly)	2
33	P073087	Adapter-Cylinder	1
34	P073095	Bolt-Jaw	2
35	P073096	Washer	2
36	P003093	Nut-Jaw	2
37	P073514	Screw-Guide	2
38	P073094	Screw-Jaw	2
39	P073093	Dowel-Jaw	2
40	P073025	Screw-Adapter	4
41	P073097	Roller	2
42	P073031	Bearing-Roller	44
43	P073098	Washer-Thrust	4
44	P078604	Roller Assembly (Includes #41 & 22 Pcs of #42)	2