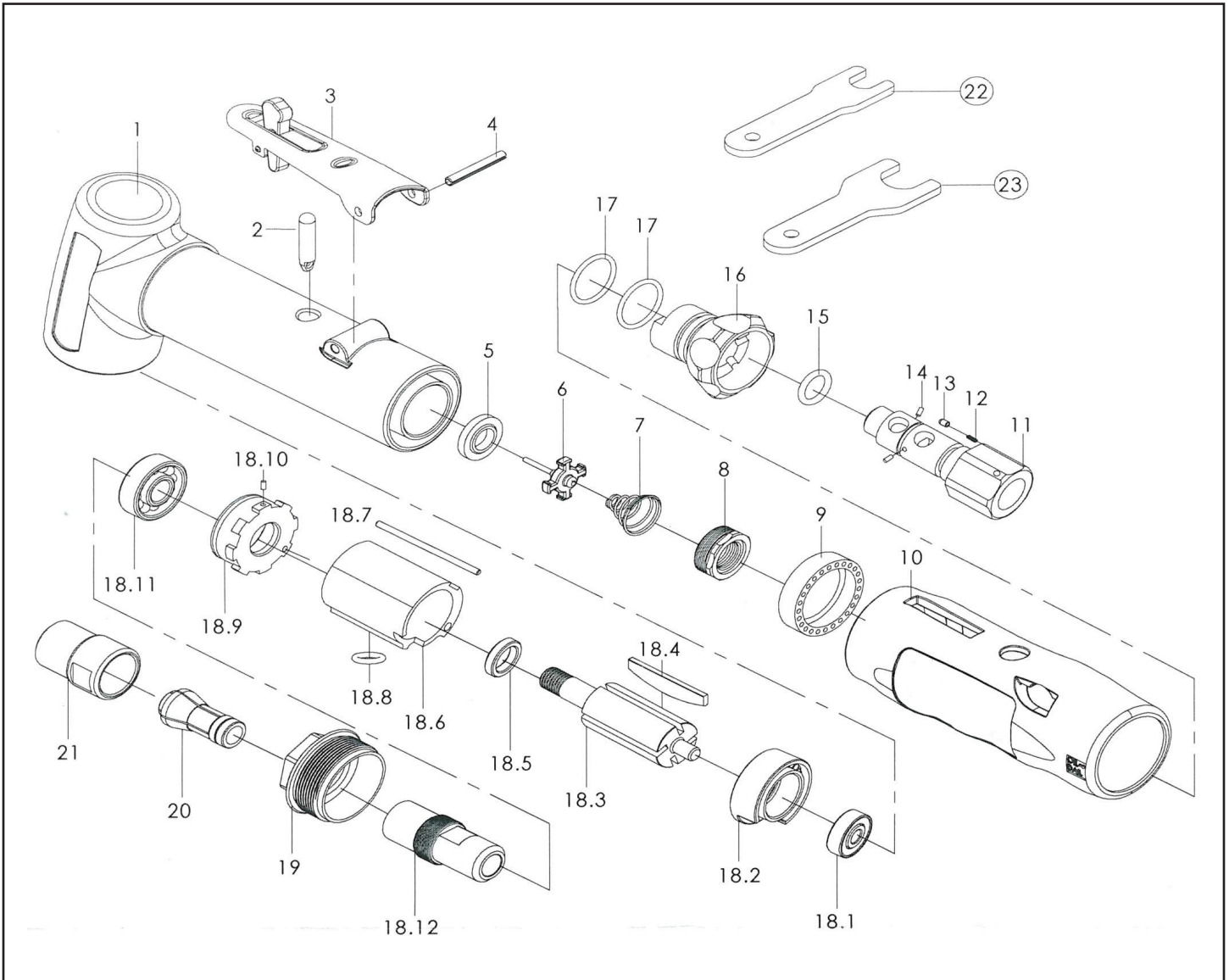




MICHIGAN PNEUMATIC TOOL, INC.

MP-303L-14B 1/4" Angle Die Grinder



Index	Part No.	Description	Qty.
1	303B001	Housing	1
2	303B002	Valve Stem	1
3	303B003	Trigger Assembly	1
4	303B004	Pin	1
5	303B005	Valve Seat	1
6	303B006	Throttle Valve	1
7	303B007	Spring	1
8	303B008	Retainer	1
9	303B009	Muffle Cover	1
10	303B010	Grip	1
11	303B011	Air Inlet	1
12	303B012	Spring	1
13	303B013	Tip Sleeve	1
14	303B014	Pin	2
15	303B015	O-Ring	1
16	303B016	Air Regulator	1
17	303B017	O-Ring	2
18	303B018	Cylinder Assembly	1

Index	Part No.	Description	Qty.
18.1	303B018-1	Bearing	1
18.2	303B018-2	End Plate	1
18.3	303B018-3	Rotor	1
18.4	303B018-4	Rotor Blade	4
18.5	303B018-5	Rotor Spacer	1
18.6	303B018-6	Cylinder	1
18.7	303B018-7	Set Pin	1
18.8	303B018-8	O-Ring	1
18.9	303B018-9	Front Plate	1
18.10	303B018-10	Pin	1
18.11	303B018-11	Bearing	1
18.12	303B018-12	Collet Holder	1
19	303B019	Retainer	1
20	303B020	Collet	1
21	303B021	Collet Nut	1
22	303B022	Wrench	1
23	303B023	Wrench	1