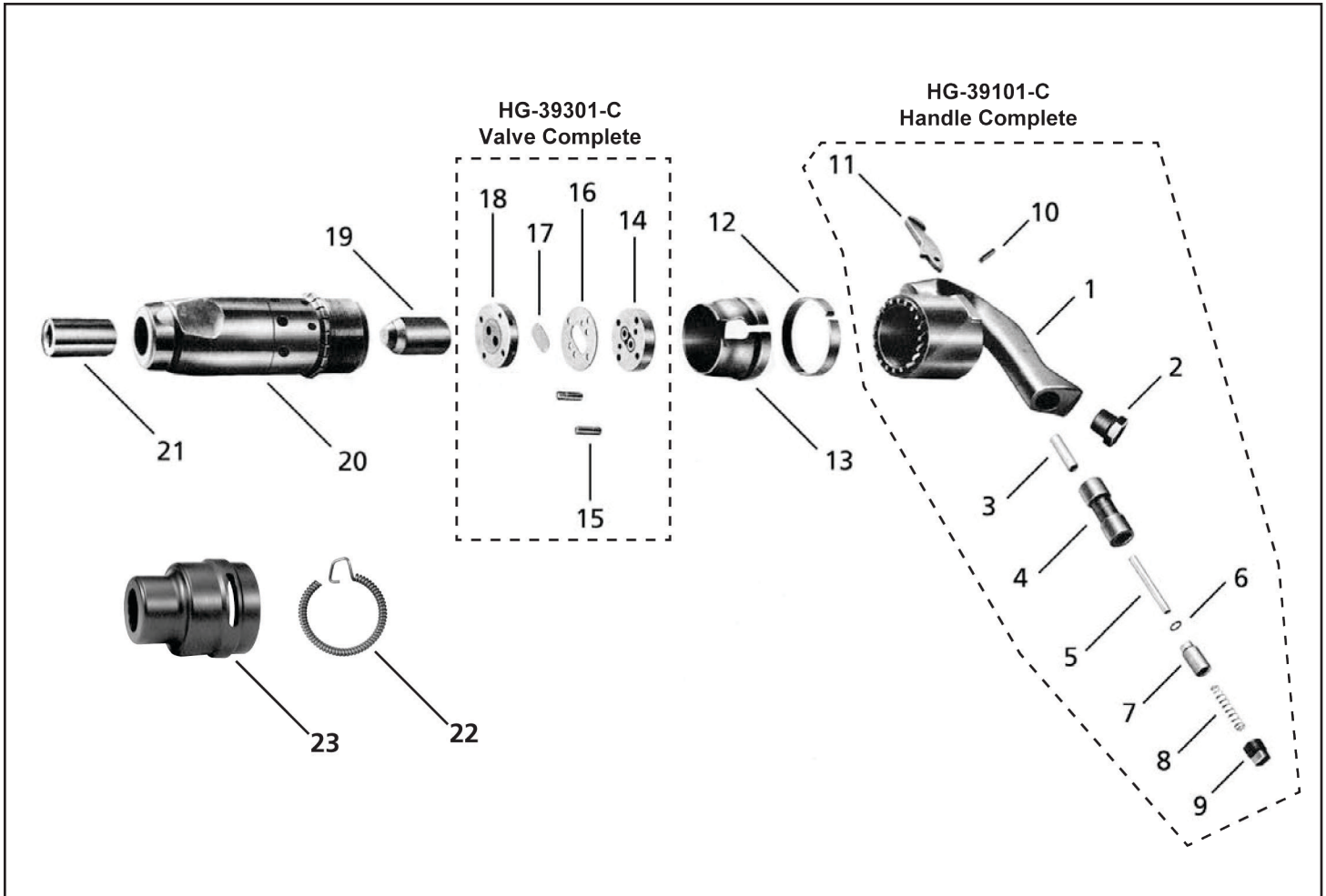




MICHIGAN PNEUMATIC TOOL, INC.

MP-100C/MP-200C/MP-300C/MP-400C

Hex or Round Shank Chipping Hammer



Index	Part No.	Description	Qty.
1	HG-39101-IC HG-39101-C	Handle with Bushings (inc. 2, 3 & 4) Handle Complete	1
2	HG-39117	Inlet Bushing	1
3	HG-39113	Throttle Pin Bushing	1
4	HG-39110	Throttle Bushing	1
5	HG-39112	Throttle Pin	1
6	OR-6227-6	O-Ring	1
7	HG-39108	Throttle Valve	1
8	HG-39111	Throttle Spring	1
9	HG-39160	Throttle Plug	1
10	NP-6.3522.2	Knock Pin	1
11	HG-39136	Lever	1
12	HG-39209	Clutch Band	1
13	HG-39226	Exhaust Cover	1
14	HG-39304	Top Valve Seat	1

Index	Part No.	Description	Qty.
15	NP-5.5623.8	Knock Pin	2
16	HG-39306	Valve Washer	1
17	HG-39301 HG-39301-C	Valve Valve Complete	1
18	HG-39305	Bottom Valve Seat	1
19	H-39203 H-43203 H-44203 H-45203	Piston (MP-100) Piston (MP-200) Piston (MP-300) Piston (MP-400)	1
20	H-39201 H-43201 H-44201 H-45201	Cylinder (MP-100) Cylinder (MP-200) Cylinder (MP-300) Cylinder (MP-400)	1
21	HG-39215 HG-39216	Round Bushing Hex Bushing	1
22	1194-2	Retainer Lock Spring	1
23	1190-MPT	Oval Collar Retainer	1

06302015Rev1HMB | NP