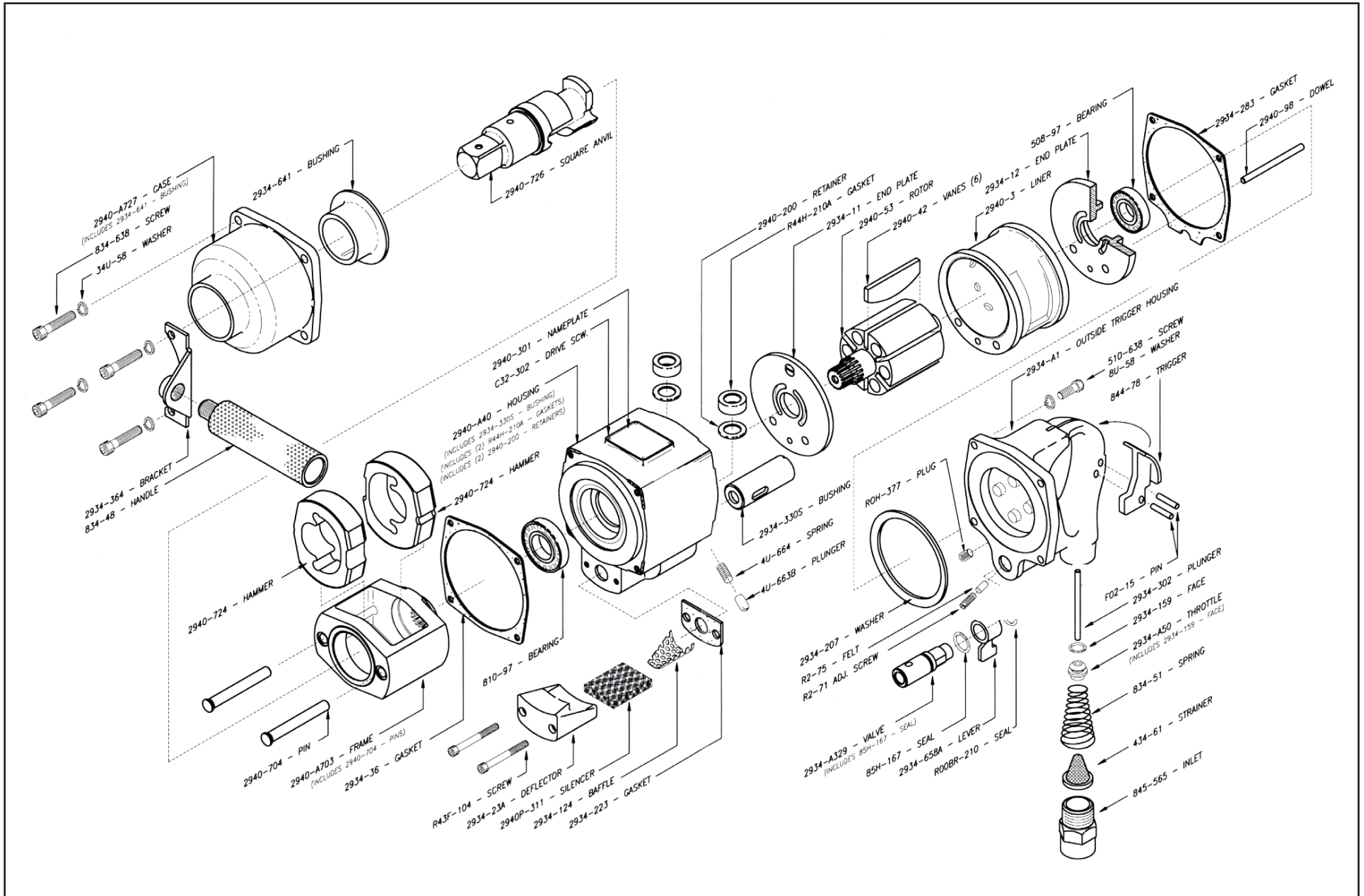




MICHIGAN PNEUMATIC TOOL, INC.

MP-2940A2 Impact Wrench



6850 Middlebelt Rd. • Romulus, MI 48174 • 1-800-521-8104 • Ph: (313) 933-5890 • Fax: (313) 933-0440

www.michiganpneumatic.com • e-mail: mpt@michiganpneumatic.com