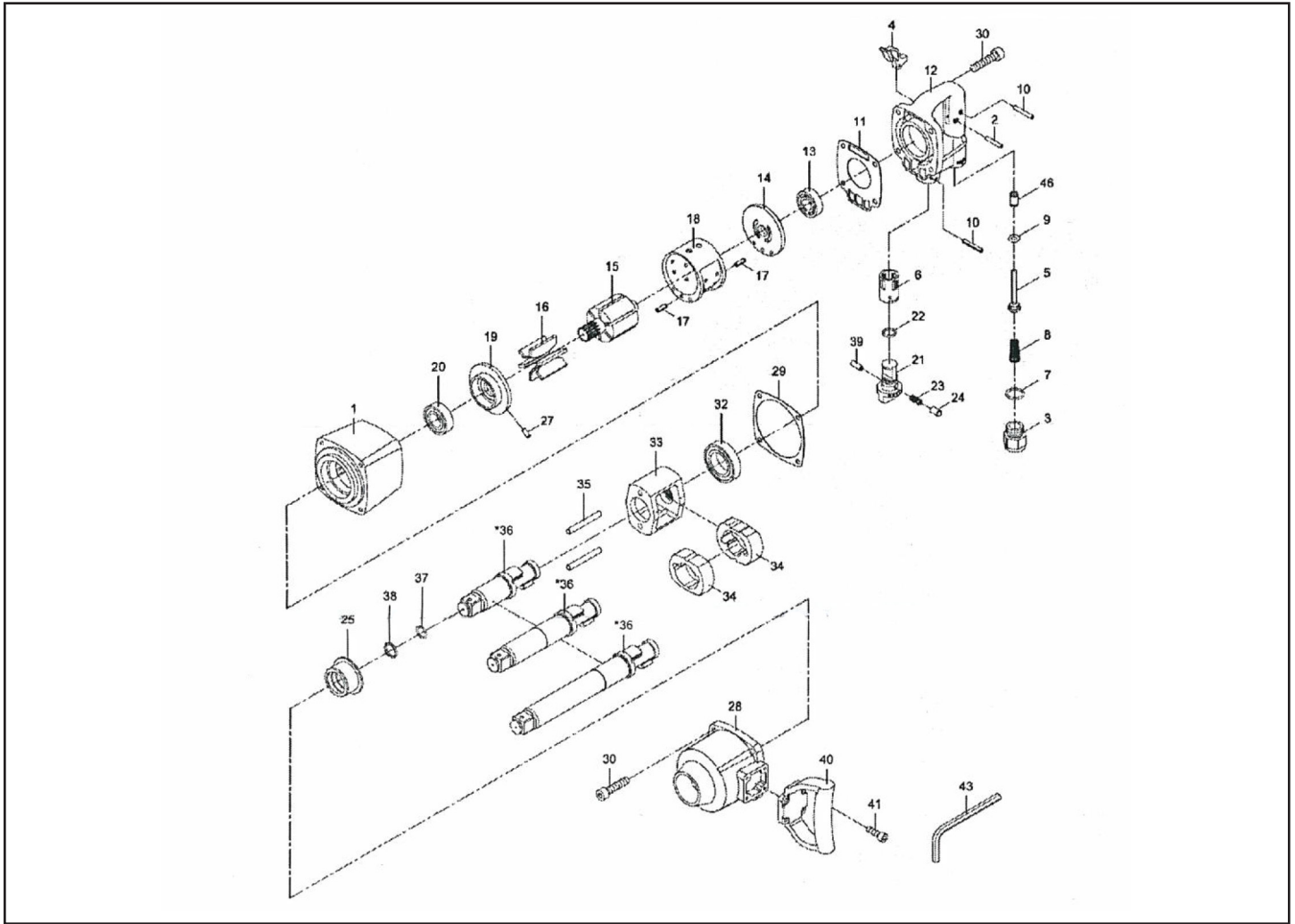




MICHIGAN PNEUMATIC TOOL, INC.

MP-2740-ST 1" Square Drive Impact Wrench



Index	Part No.	Description	Qty.
1	47-407201	Motor Housing	1
2	PN04002308	Pin (4x23.8)	1
3	47-407103	Air Inlet	1
4	47-407304	Trigger	1
5	47-407105	Valve Stem	1
6	47-407106	Reverse Valve Bushing	1
7	OR01908204	O-Ring (19.8x2.4)	1
8	43-403147	Valve Spring	1
9	OR00705305	O-Ring (7.5x3.5 H90)	1
10	61902	Spring Pin	2
11	47-407134	Gasket	1
12	47-407220	Rear Cover	1
13	0610146	Ball Bearing (6204)	1
14	47-407114	Rear End Plate	1
15	47-407115	Rotor	1
16	47-407116	Rotor Blade	6
17	SP06001800	Spring Pin (8x18)	2
18	47-407118	Cylinder	1
19	47-407119	Front End Plate	1
20	06205Z	Ball Bearing (6205Z)	1
21	47-407121	Air Regulator	1
22	OR01608204	O-Ring (16.8x2.4)	1

Index	Part No.	Description	Qty.
23	43-403323	Spring	1
24	43-403324	Pin	1
25	47-407225	Anvil Bushing	1
27	SP04001000	Spring Pin (4x10)	1
28	47-407128	Hammer Case	1
29	47-407135	Gasket	1
30	47-407130-12	Screw (M8x32)	8
32	06008Z	Ball Bearing (6008Z)	1
33	47-407208	Hammer Cage	1
34	47-407211	Hammer	2
35	47-407217	Hammer Pin	2
	47-407202-11	Anvil (1")	1
*36	47-4072L02-61	Anvil (1" L=6")	1
	47-4072L02-81	Anvil (1" L=8")	1
37	10211	O-Ring (17.8x2.4)	1
38	47-405112	Retainer ring	1
39	40317-14	Spring Pin (3x8)	1
40	47-407160	Dead Handle	1
41	7H-753528	Screw (M6x20)	4
43	10018	Hex Key Wrench	5
46	47-407146	Valve Bushing	1