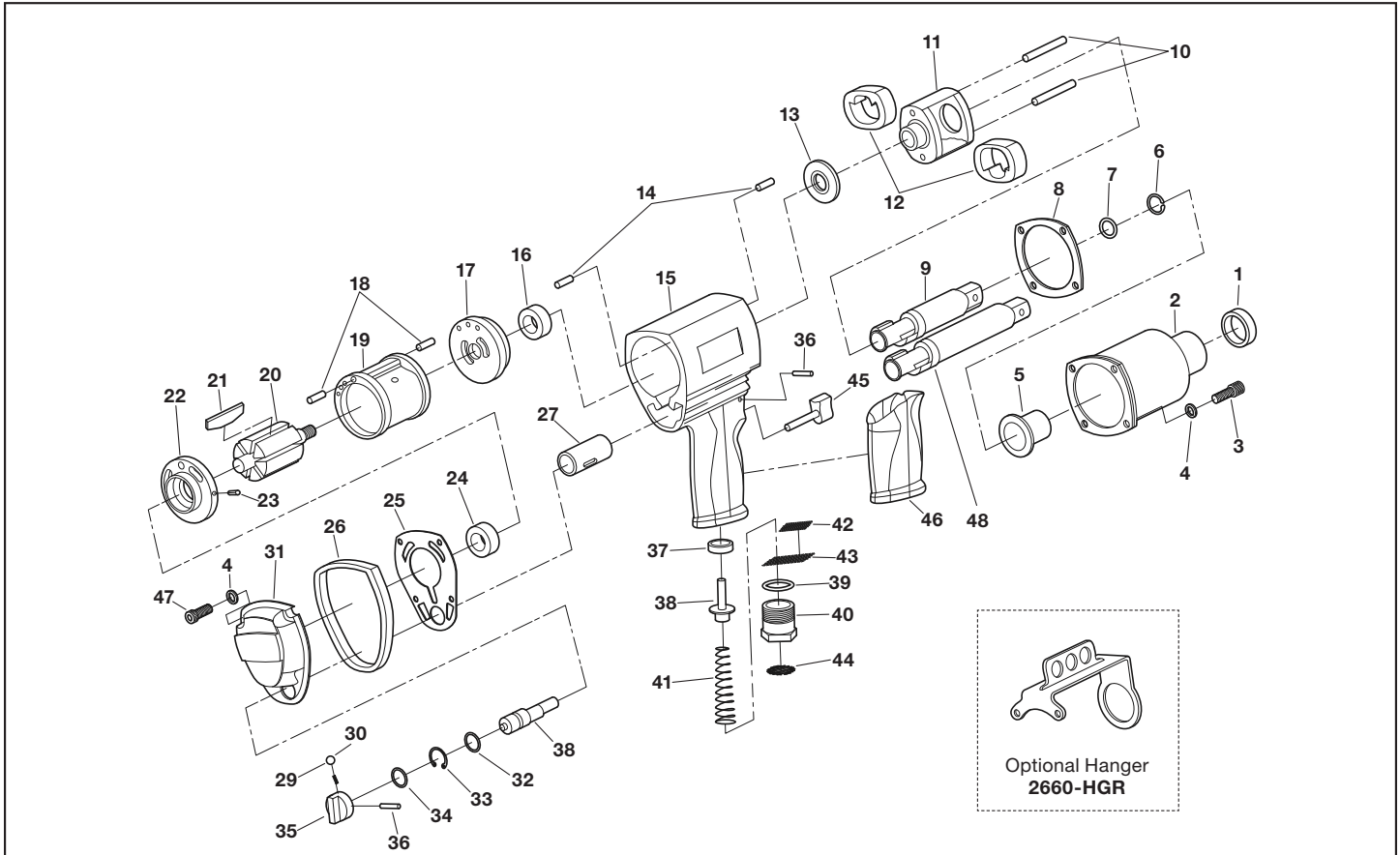




MICHIGAN PNEUMATIC TOOL, INC.

MP-2660-6 6" Extended 3/4" Impact Wrench



Index	Part No.	Description	Qty.
1	2660001	Oil Seal	1
2	2660002	Hammer Case	1
3	2660003	Cap Screw	4
4	2660004	Spring Washer	8
5	2660005	Bushing	1
6	2660006	Retainer Ring	1
7	2660007	O-Ring	1
8	2660008	Front Gasket	1
9	2660009	Anvil	1
10	2660010	Hammer Pin	2
11	2660011	Hammer Cage	1
12	2660012	Hammer	2
13	2660013	Rear Washer	1
14	2660014	Helicoil Insert	8
15	2660015	Housing	1
16	2660016	Ball Bearing	1
17	2660017	Front End Plate	1
18	2660018	Spring Pin	2
19	2660019	Cylinder	1
20	2660020	Rotor	1
21	2660021	Rotor Blade	6
22	2660022	Rear End Plate	1
23	2660023	Spring Pin	1
24	2660024	Ball Bearing	1

Index	Part No.	Description	Qty.
25	2660025	Rear Gasket	1
26	2660026	Rear Band	1
27	2660027	Reverse Valve Bushing	1
28	2660028	Reverse Valve	1
29	2660029	Spring	1
30	2660030	Steel Ball	1
31	2660031	Rear Cover	1
32	2660032	O-Ring	1
33	2660033	Snap Ring	1
34	2660034	O-Ring	1
35	2660035	Knob	1
36	2660036	Spring Pin	2
37	2660037	Valve Nut Gasket	1
38	2660038	Throttle Valve Assembly	1
39	2660039	O-Ring	1
40	2660040	Air Inlet	1
41	2660041	Throttle Spring	1
42	2660042	Muffler	1
43	2660043	Exhaust Cover	1
44	2660044	Filter Net	1
45	2660045	Trigger	1
46	2660046	Rubber Protector	1
47	2660047	Cap Screw	4
48	2660009-6	6" Extended Anvil	1

06262015Rev3HMB | NP