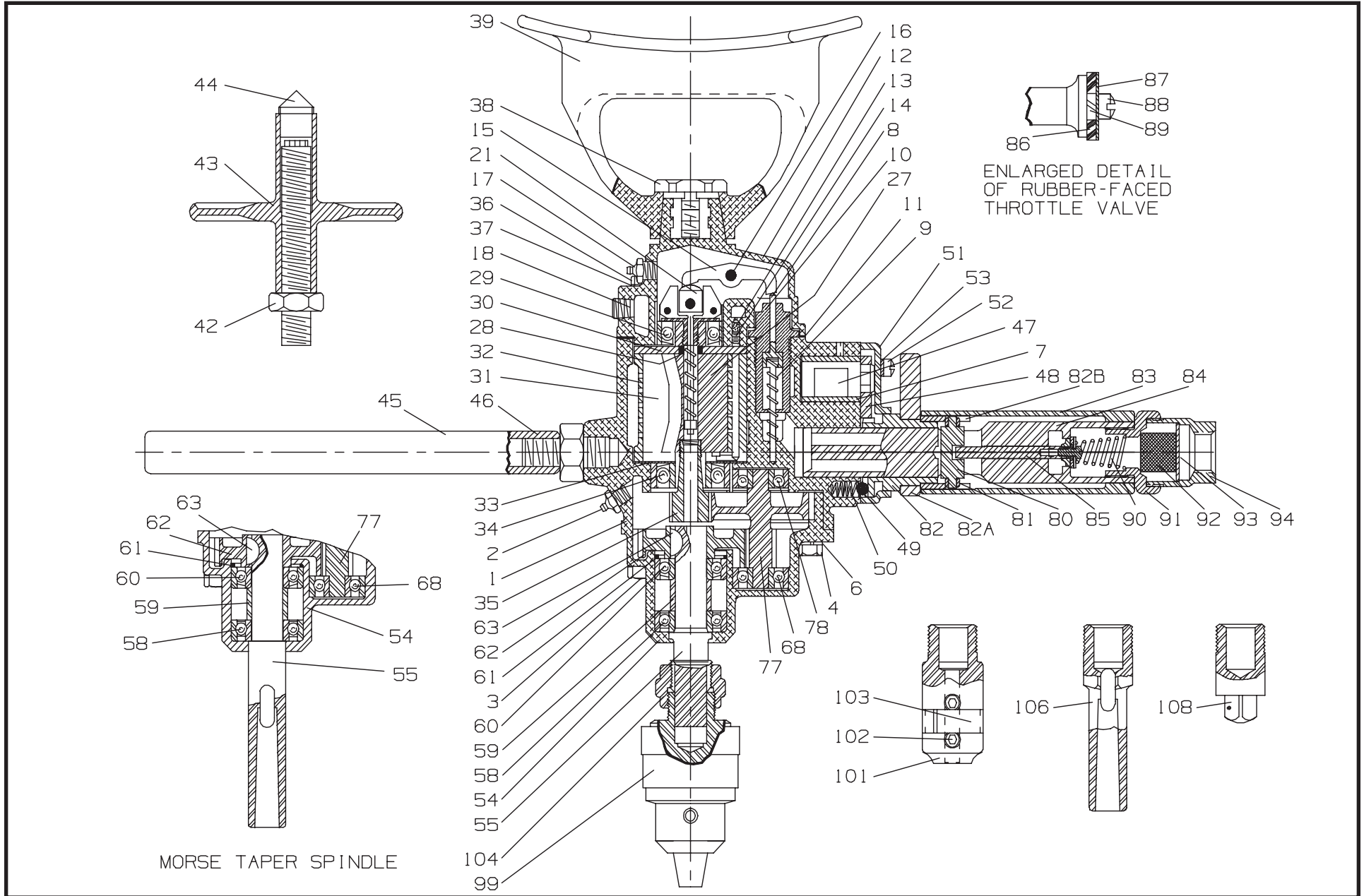




MICHIGAN PNEUMATIC TOOL, INC.

MP-222 Drill Motor





MICHIGAN PNEUMATIC TOOL, INC.

MP-222 Drill Motor

| Index | Part No. | Description | Qty. |
|-------|-----------|-------------------------------------|------|
| 1 | R22N-40 | Motor Housing | 1 |
| 2 | 23-188 | Grease Fitting | 1 |
| 3 | R22H-68 | Housing Long Cap Screw | 4 |
| 4 | R3-7 | Housing Short Cap Screw | 2 |
| 6 | 8U-58 | Lock Washer | 6 |
| 7 | R22H-330 | Reverse Valve Bushing | 1 |
| 8 | R3H-425 | Governor Valve | 1 |
| 9 | 503-431 | Governor Valve Spring | 1 |
| 10 | R22H-429 | Governor Valve Bushing | 1 |
| - | R22H-210 | Air Port Gasket | 2 |
| 11 | R22H-283 | Backhead Gasket | 1 |
| 12 | R22H-102 | Backhead | 1 |
| 13 | R1-75 | Oiler Felt | 2 |
| 14 | R1-71A | Oiler Adjusting Screw | 2 |
| 15 | R22H-436 | Governor Lever | 1 |
| 16 | T22-306 | Governor Lever Pin | 1 |
| 17 | 23-188 | Grease Fitting | 1 |
| 18 | R2-227 | Oil Chamber Plug | 1 |
| 21 | R2XJ-A424 | Governor Assembly | 1 |
| 27 | R22H-K53 | Rotor | 1 |
| 28 | R2H-65 | Rotor Bearing Spacer | 1 |
| 29 | R2-22 | Rear Rotor Bearing | 1 |
| 30 | R22H-12 | Rear End Plate | 1 |
| 31 | R2-42B-5 | Vane Packet | 5 |
| 32 | R22H-3 | Cylinder | 1 |
| - | R22H-98 | Cylinder Dowel | 1 |
| 33 | R22H-11 | Front End Plate | 1 |
| 34 | R2-24A | Front Rotor Bearing | 1 |
| 35 | R2J-17 | Rotor Pinion (15 teeth, J, K) | 1 |
| - | R2M-17A | Rotor Pinion (9 teeth, M) | 1 |
| 36 | R22H-68 | Backhead Cap Screw | 6 |
| 37 | 8U-58 | Backhead Cap Screw Lock Washer | 6 |
| 38 | T15-278 | Breast Plate Screw | 1 |
| 39 | R22H-79 | Breast Plate | 1 |
| - | T04-A3 | Feed Screw Assembly | 1 |
| 42 | T04-3 | Feed Screw | 1 |
| 43 | T05-2A | Feed Handle | 1 |
| 44 | T05-244A | Feed Handle Center | 1 |
| 45 | R2K-48 | Dead Handle | 1 |
| 46 | R2K-364A | Dead Handle Stud | 1 |
| 47 | R22H-329 | Reverse Valve | 1 |
| 48 | TCC-428 | Reverse Valve Sector | 1 |
| 49 | R22H-491 | Stop Pin | 1 |
| 50 | 5UT-759 | Stop Pin Spring | 1 |
| 51 | TCC-429A | Sector Cover | 1 |
| 52 | TCC-430 | Sector Cover Screw | 4 |
| 53 | T05-58 | Sector Cover Screw Lock Washer | 4 |
| - | TCCW-433 | Throttle Body Set Screw | 1 |
| - | D02-537 | Throttle Body Set Screw Lock Washer | 1 |
| 54 | RM2J-37 | Gear Case (#2 Morse Taper, J, K, M) | 1 |
| - | R2M-137 | Gear Case (#3 Morse Taper, M) | 1 |
| - | R22J-A8 | Stub Taper Spindle Assembly (J) | 1 |
| - | R22K-A8 | Stub Taper Spindle Assembly (K, M) | 1 |

| Index | Part No. | Description | Qty. |
|-------|-------------|--|------|
| - | R2H-A108 | #2 Morse Taper Spindle Assembly (J) | 1 |
| - | R2M-A108 | #2 Morse Taper Spindle Assembly (K, M) | 1 |
| - | R2M-A208 | #3 Morse Taper Spindle Assembly (M) | 1 |
| 55 | R22H-8 | Stub Taper Spindle (J, K, M) | 1 |
| - | R2M-108 | #2 Morse Taper Spindle (J, K, M) | 1 |
| - | R2M-208 | #3 Morse Taper Spindle (M) | 1 |
| 58 | R2H-510 | Spindle Bearing | 1 |
| 59 | R2H-111 | Spindle Bearing Spacer | 1 |
| 60 | R2H-97 | Thrust Bearing | 1 |
| 61 | R2H-118 | Bearing Retainer | 1 |
| 62 | R2K-9 | Spindle Gear (K, M) | 1 |
| - | R2J-9 | Spindle Gear (J) | 1 |
| 63 | TC-18 | Spindle Gear Key | 1 |
| 68 | T06-33 | Intermediate Gear Front Bearing | 1 |
| 77 | R2J-82 | Intermediate Gear (13/45 teeth, J) | 1 |
| - | R2K-82 | Intermediate Gear (10/45 teeth, K) | 1 |
| - | R2M-82A | Intermediate Gear (9/50 teeth, M) | 1 |
| 78 | R1L-24 | Intermediate Gear Rear Bearing | 1 |
| - | R22H-A518-2 | Throttle Assembly | 1 |
| 80 | TCC-306B | Throttle Valve Lift Pin | 1 |
| 81 | TAA-426 | Throttle Valve Lift Pin Roller | 2 |
| 82 | TCC-437A | Throttle Sector | 1 |
| 82A | R55H-314 | Reverse Lever | 1 |
| - | R2J-561 | Reverse Lever Set Screw | 2 |
| 82B | 22MA2-317 | Throttle Cam | 1 |
| 83 | TCCL-360 | Throttle Sleeve | 1 |
| 84 | 22B518-409 | Throttle Body | 1 |
| 85 | R3H-402 | Rubber-Faced Throttle Valve | 1 |
| 86 | 8000-159A | Throttle Valve Face | 1 |
| 87 | 8000-157 | Throttle Valve Face Cap | 1 |
| 88 | R4-158 | Throttle Valve Face Retaining Screw | 1 |
| 89 | H54U-352 | Retaining Screw Lock Washer | 1 |
| 90 | TAA-418 | Throttle Valve Spring | 1 |
| - | R4H-A565 | Air Strainer Assembly | 1 |
| 91 | R4H-566 | Air Strainer Cap | 1 |
| 92 | R3H-61 | Air Strainer Screen | 1 |
| 93 | R3H-567 | Air Strainer Screen Support | 1 |
| 94 | R22H-565 | Air Strainer Body | 1 |
| 98 | T05-365 | Suspension Ring | 1 |
| 99 | DE-99C | Drill Chuck | 1 |
| - | K32 | Drill Chuck Key | 1 |
| 101 | R22W-151 | Wood Bit Chuck | 1 |
| 102 | R33W-150 | Wood Bit Chuck Screw | 2 |
| 103 | R33W-149 | Chuck Screw Retainer | 1 |
| - | K-27 | Wood Bit Chuck Wrench | 1 |
| 104 | DE-347A | Chuck Nut | 1 |
| 106 | DE-323A-1 | #1 Morse Taper Socket | 1 |
| - | DE-323A-2 | #2 Morse Taper Socket | 1 |
| - | DE-323A-3 | #3 Morse Taper Socket | 1 |
| 108 | DE-215A | 1/2" Sq. Drive Socket Adapter | 1 |
| - | DE-215B | 5/8" Sq. Drive Socket Adapter | 1 |
| - | A01-46 | Hose Nipple | 1 |

05182016Rev2HMB | RF