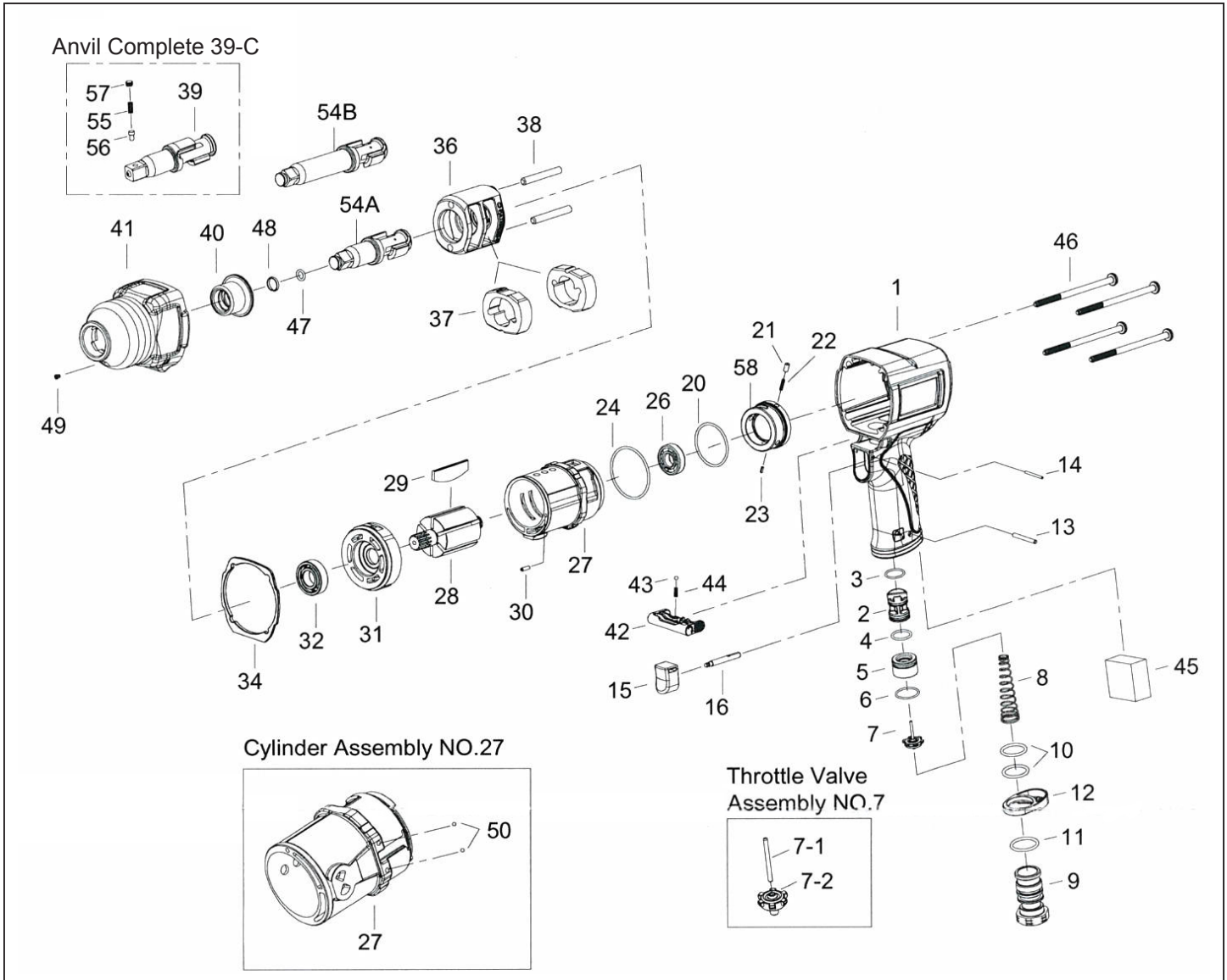




MICHIGAN PNEUMATIC TOOL, INC.

2144QR 1/2" Imact Wrench
2144QR-P 1/2" Imact Wrench
2144QR-2 1/2" Imact Wrench



Index	Part No.	Description	Qty.
1	2144QR-1	Motor Housing	1
2	2144QR-2	Reverse Valve	1
3	2144QR-3	O-Ring	1
4	2144QR-4	O-Ring	1
5	2144QR-5	Throttle Valve Seat	1
6	2144QR-6	O-Ring	1
★ 7	2144QR-7	Throttle Valve Assembly (incl. 7-1, 7-2)	1
• 7-1	2144QR-7-1	Throttle Valve Pin	1
• 7-2	2144QR-7-2	Throttle Valve	1
8	2144QR-8	Spring	1
9	2144QR-9	Air Inlet	1
10	2144QR-10	O-Ring	2

Index	Part No.	Description	Qty.
11	2144QR-11	O-Ring	1
12	2144QR-12	Exhaust Deflector	1
13	2144QR-13	Spring Pin	1
14	2144QR-14	Spring Pin	1
★ 15	2144QR-15	Trigger Assembly (incl. 16)	1
• 16	2144QR-16	Trigger Pin	1
20	2144QR-20	O-Ring	1
21	2144QR-21	Pin	1
22	2144QR-22	Spring	1
23	2144QR-23	Spring Pin	1
24	2144QR-24	O-Ring	1
26	2144QR-26	Ball Bearing	1
★ 27	2144QR-27	Cylinder Assembly (incl. 50 (2))	1



MICHIGAN PNEUMATIC TOOL, INC.

2144QR 1/2" Imact Wrench
2144QR-P 1/2" Imact Wrench
2144QR-2 1/2" Imact Wrench

Index	Part No.	Description	Qty.
28	2144QR-28	Rotor	1
29	2144QR-29	Rotor Blade	6
30	2144QR-30	Spring Pin	1
31	2144QR-31	Front End Plate	1
32	2144QR-32	Ball Bearing	1
34	2144QR-34	Gasket	1
36	2144QR-36	Hammer Frame	1
37	2144QR-37	Hammer	2
38	2144QR-38	Hammer Pin	2
39	2144QR-39	Pin Type Anvil	1
39-C	2144QR-39C	Anvil Complete {incl. 39, 55, 56, 57}	1
• 40	2144QR-40	Bushing	1
★ 41	2144QR-41	Hammer Case Assembly (incl. 40, 49)	1
42	2144QR-42	Reverse Knob	1
43	2144QR-43	Steel Ball	1

Index	Part No.	Description	Qty.
44	2144QR-44	Steel Ball Spring	1
45	2144QR-45	Muffler Element	1
46	2144QR-46	Screw	4
47	2144QR-47	O-Ring	1
48	2144QR-48	Socket Retainer	1
• 49	2144QR-49	Grease Fitting	1
• 50	2144QR-50	Steel Ball	2
54A	2144QR-54A	Standard Anvil	1
54B	2144QR-54B	2" Extended Anvil	1
58	2144QR-58	Reverse Valve Knob	1
55	2144QR-55	Spring	1
56	2144QR-56	Pin	1
57	2144QR-57	Plug	1
TK	2144QR-TK	Tune-Up Kit {incl. 3, 4, 6, 8, 10 (2), 11, 20, 22, 24, 29 (6), 34, 43, 44, 45, 47, 48}	1

- ★ Must be purchased in Assembly Kit
- Recommended not to be purchased alone due to assembly difficulty.