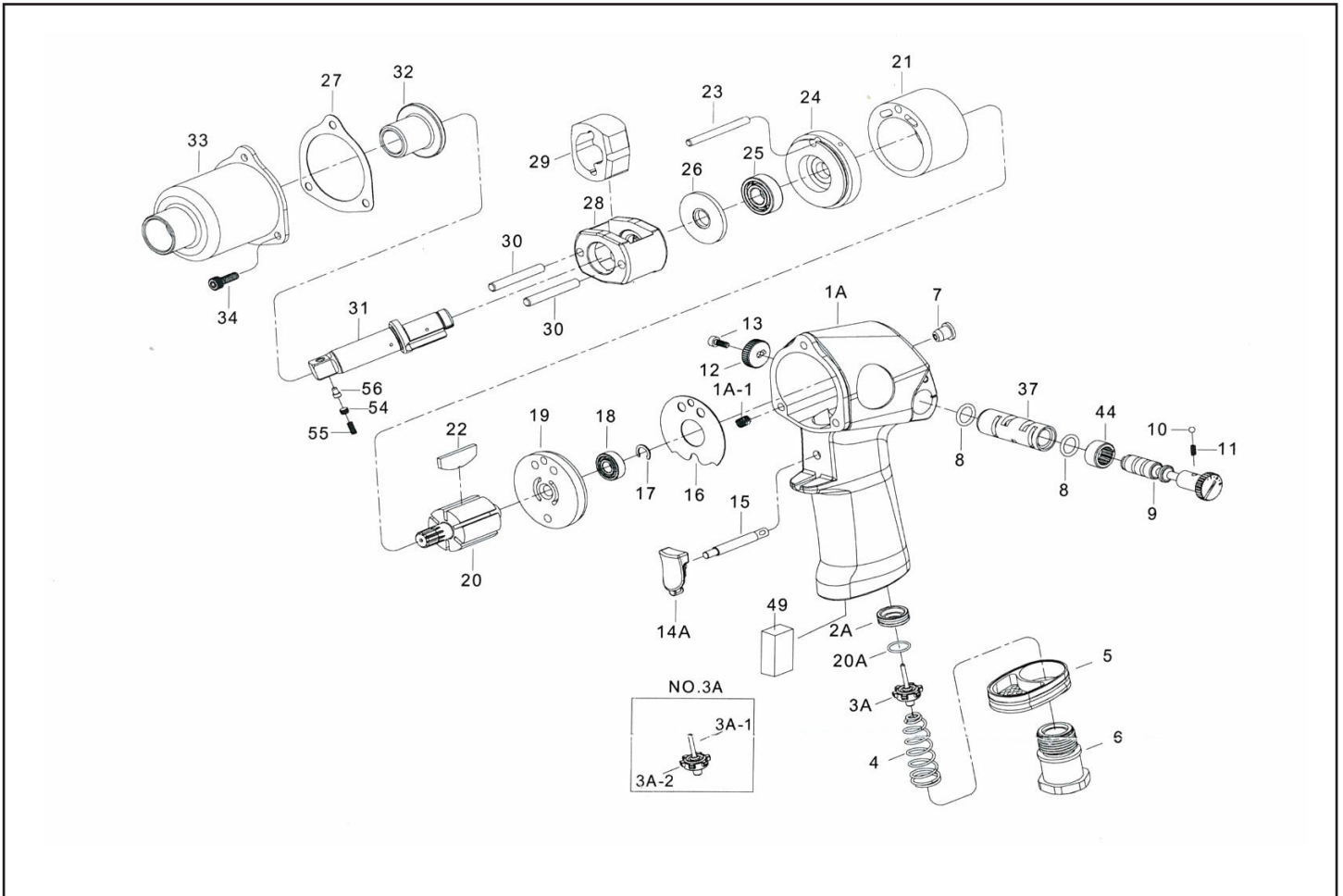




MICHIGAN PNEUMATIC TOOL, INC.

MP-212PT 3/8" Pin Type Sq. Dr. Pistol Impact



Index	Part No.	Description	Qty.
1A	212PT-1A	Housing Assembly (incl. 1A-1(3) 7.37.44)	1
1A-1	212PT-1A-1	Heli-Coil	3
2A	212PT-2A	Throttle Valve Seat	1
3A	212PT-3A	Throttle Valve Assembly (incl. 3A-1. 3A-2)	1
3A-1	212PT-3A-1	Throttle Valve Pin	1
3A-2	212PT-3A-2	Throttle Valve	1
4	212PT-4	Spring	1
5	212PT-5	Exhaust Deflector	1
6	212PT-6	Air Inlet	1
7	212PT-7	Grease Fitting	1
8	212PT-8	O-Ring	1
9	212PT-9	Reverse Valve	1
10	212PT-10	Steel Ball	1
11	212PT-11	Spring	1
12	212PT-12	Reverse Valve Knob	1
13	212PT-13	Screw	1
14A	212PT-14A	Trigger Assembly (incl. 15)	1
15	212PT-15	Trigger Pin	1
16	212PT-16	Gasket	1
17	212PT-17	Retainer	1
18	212PT-18	Ball Bearing	1
19	212-PT19	Rear End Plate	1

Index	Part No.	Description	Qty.
20	212PT-20	Rotor	1
20A	212PT-20A	O-Ring	1
21	212PT-21	Cylinder	1
22	212PT-22	Rotor Blade	6
23	212PT-23	Cylinder Dowel	1
24	212PT-24	Front End Plate	1
25	212PT-25	Ball Bearing	1
26	212PT-26	Washer	1
27	212PT-27	Gasket	1
28	212PT-28	Hammer Frame	1
29	212PT-29	Hammer	1
30	212PT-30	Hammer Pin	2
31	212PT-31	Standard Anvil Assembly (incl. 54.55.56)	1
32	212PT-32	Bushing	1
33	212PT-33	Hammer Case	1
34	212PT-34	Screw	3
37	212-PT-37	Reverse Valve Bushing	1
44	212-PT-44	Reverse Valve Bushing Gear	1
49	212-PT-49	Muffler Element	1
54	212PT-54	Spring Stopper	1
55	212PT-55	Spring	1
56	212PT-56	Pin	1
TK	212PT-TK	Tune-Up Kit (incl. 4.8 (2). 10.11. 16.20A.22 (6) .27.49)	1