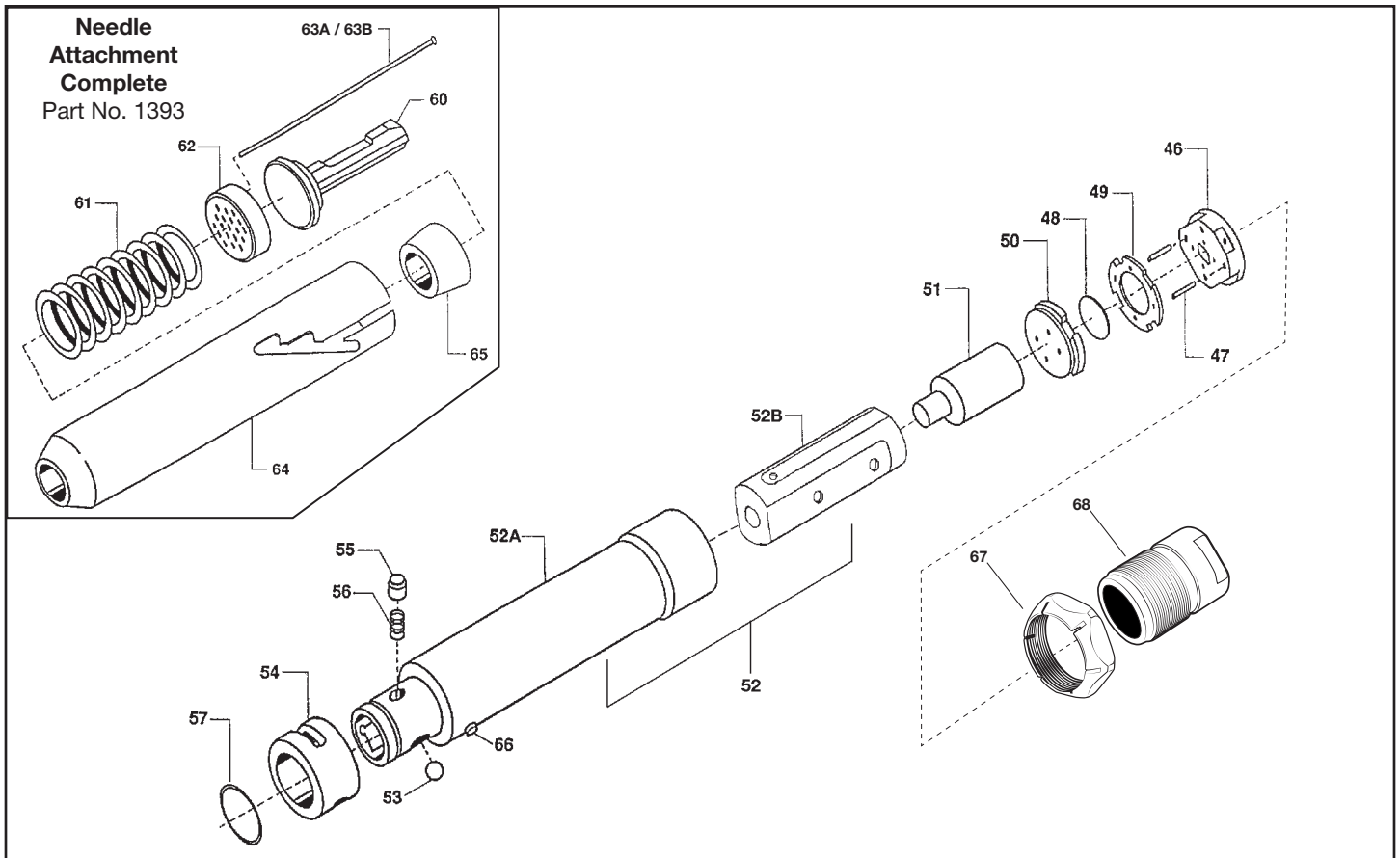




MICHIGAN PNEUMATIC TOOL, INC.

182L-SBKHD Solid Backhead Scaling Hammer

182LNS-SBKHD Solid Backhead Needle Scaler



Index	Part No.	Description	Qty.
46	WF171-4	Valve Cap	1
47	WF171-32	Dowel Pin	2
48	WF171-2	Valve	1
49	WF171-8	Valve Spacer	1
50	WF171-3	Valve Seat	1
51	WF181-5	Piston	1
52	WF182-A10A	Case w/Liner	1
52A	WF182-CASE	Outer Case	1
52B	WF182-LINER	Inner Liner	1
53	SB-0350	Retainer Ball	1
54	WF182-30A	Retainer Sleeve	1
55	WF182-716	Retainer Sleeve Lock Plunger	1

Index	Part No.	Description	Qty.
56	R1-271	Plunger Lock Spring	1
57	WF182-104	Retainer Sleeve Lock Ring	1
60	371	Anvil	1
61	1381	Anvil Spring	1
62	NS11-21	Needle Holder	1
63A	3mm19S	Needle Set 5" (19 pcs./set)	1
63B	3mm19	Needle Set 7" (19 pcs./set)	1
64	1380	Round Needle Housing	1
65	NS11-25	Spring Seat	1
66	WF182-106A	Needle Attachment Retainer Pin	1
67	HG-36522	Lock Nut	1
68	SC-57S	Solid Backhead	1