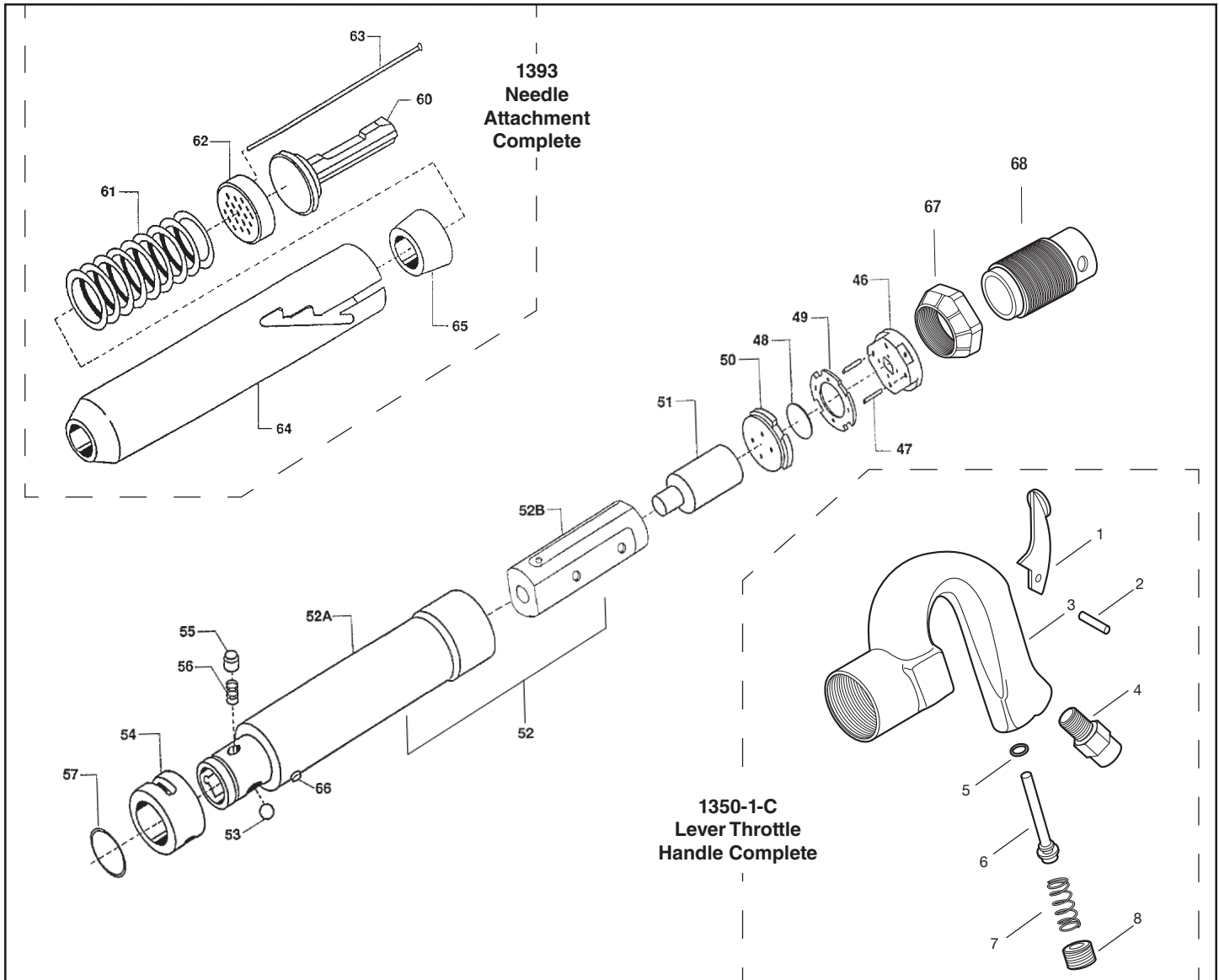




# MICHIGAN PNEUMATIC TOOL, INC.

## MP-182G Gooseneck Scaler



Index	Part No.	Description	Qty.
1	1350-1	Throttle Lever	1
2	1350-10	Throttle Lever Pin	1
3	832540	Handle Incomplete	1
4	1989	Inlet Bushing	1
5	OR-2.4x6.6BN70	O-Ring	1
6	1350-6	Throttle Valve	1
7	600-51	Throttle Valve Spring	1
8	PHP-T30	Throttle Plug	1
46	WF171-4	Valve Cap	1
47	WF171-32	Dowel Pin	2
48	WF171-2	Valve	1
49	WF171-8	Valve Spacer	1
50	WF171-3	Valve Seat	1
51	WF181-5	Piston	1
52	WF182-A10A	Case w/Liner	1
52A	WF182-CASE	Outer Case	1

Index	Part No.	Description	Qty.
52B	WF182-LINER	Inner Liner	1
53	SB-0350	Retainer Ball	1
54	WF182-30A	Retainer Sleeve	1
55	WF182-716	Retainer Sleeve Lock Plunger	1
56	R1-271	Plunger Lock Spring	1
57	WF182-104	Retainer Sleeve Lock Ring	1
60	371	Anvil	1
61	1381	Anvil Spring	1
62	NS11-21	Needle Holder	1
63	3mm19S	Needle Set 5" (19 pcs/set)	1
	3mm19	Needle Set 7" (19 pcs/set)	1
64	1380	Round Needle Housing	1
65	NS11-25	Spring Seat	1
66	WF182-106A	Needle Attachment Retainer Pin	1
67	HG-36522	Lock Nut	1
68	832693	Adapter	1