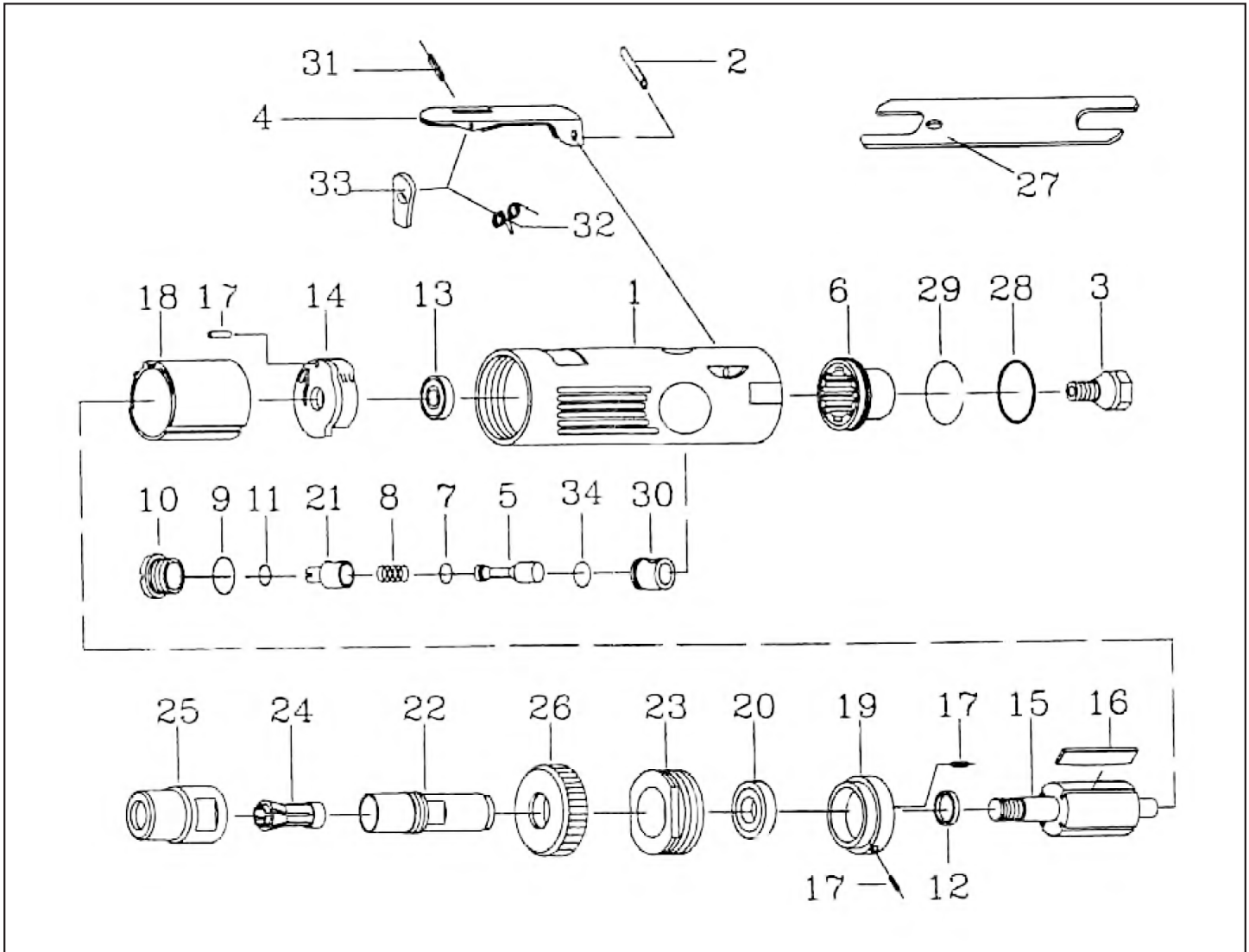




MICHIGAN PNEUMATIC TOOL, INC.

MP-1775-ST 1/4" Mini Die Grinder



| Index | Part No. | Description | Qty. |
|-------|----------|----------------------|------|
| 1 | SM-53201 | Motor Housing | 1 |
| 2 | SM-53202 | Spring Pin (3*24L) | 1 |
| 3 | SM-53203 | Air Inlet | 1 |
| 4 | SM-53204 | Throttle Lever | 1 |
| 5 | SM-53205 | Valve Stem | 1 |
| 6 | SM-53206 | Exhaust Diffuser | 1 |
| 7 | SM-53207 | O-Ring (3.8*1.9) | 1 |
| 8 | SM-53208 | Valve Spring | 1 |
| 9 | SM-53209 | O-Ring (9.8*1.9) | 1 |
| 10 | SM-53210 | Valve Screw | 1 |
| 11 | SM-53211 | O-Ring (7.0*2) | 1 |
| 12 | SM-53212 | Rotor Spacer | 1 |
| 13 | SM-53213 | Ball Bearing (696ZZ) | 1 |
| 14 | SM-53214 | End Plate | 1 |
| 15 | SM-53215 | Rotor | 1 |
| 16 | SM-53216 | Rotor Blade | 4 |
| 17 | SM-53217 | Spring Pin (2*5L) | 3 |

| Index | Part No. | Description | Qty. |
|-------|----------|----------------------|------|
| 18 | SM-53218 | Cylinder | 1 |
| 19 | SM-53219 | Front End Plate | 1 |
| 20 | SM-53220 | Ball Bearing (608ZZ) | 1 |
| 21 | SM-53221 | Controller | 1 |
| 22 | SM-53222 | Spindle | 1 |
| 23 | SM-53223 | Retainer | 1 |
| 24 | SM-53224 | Collet | 1 |
| 25 | SM-53225 | Collet Nut | 1 |
| 26 | SM-53226 | Housing Cap | 1 |
| 27 | SM-53227 | Spanner | 2 |
| 28 | SM-53228 | O-Ring | 1 |
| 29 | SM-53229 | Retainer Ring | 1 |
| 30 | SM-53230 | Bushing | 1 |
| 31 | SM-53231 | Spring Pin | 1 |
| 32 | SM-53232 | Spring | 1 |
| 33 | SM-53233 | Safety Bar | 1 |
| 34 | SM-53234 | O-Ring (10.5*1) | 1 |

10192015Rev2HMB | NP