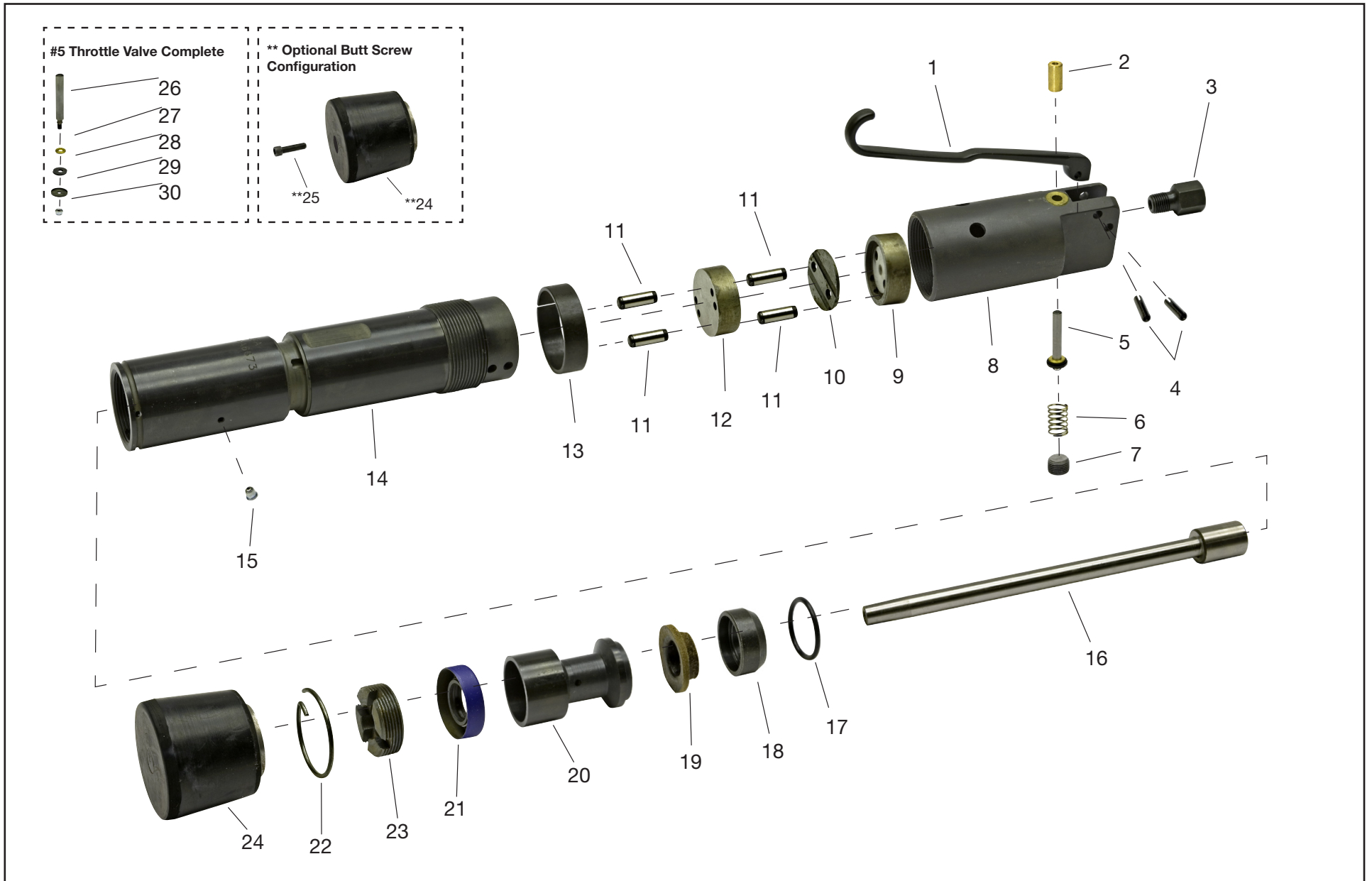




MICHIGAN PNEUMATIC TOOL, INC.

MP-130 Sand Rammer





MICHIGAN PNEUMATIC TOOL, INC.

MP-130 Sand Rammer

Index	Part No.	Description	Qty.
1	130SR-263	Throttle Lever	1
2	130SR-503	Throttle Valve Bushing	1
3	1989	Screened Inlet Bushing	1
4	5040T-962	Stopper Lever Pin	2
5	130SR-302	Throttle Valve Complete	1
6	RG-04111B	Throttle Spring	1
7	PHP-T30	Throttle Plug	1
8	130SR-14	Backhead	1
9	14SR-43	Valve Lid	1
10	14SR-40	Valve	1
11	14SR-45	Dowel Pin	4
12	14SR-41	Valve Box	1
13	130SR-35	Barrel Clip	1
14	130SR-R10	Barrel	1
* 15	130SR-188	1/4 "Grease Fitting	1
	GA-3661	1/8" Grease Fitting	1

Index	Part No.	Description	Qty.
16	130SR-R20	Piston	1
17	OR-6227-21	O-Ring	1
18	130SR-28	Seal Support	1
19	130SR-30	Rear Rod Seal	1
20	130SR-32	Piston Guide	1
21	130SR-31	Front Rod Seal	1
22	130SR-34	Guide Lock	1
23	130SR-33	Guide Retainer	1
** 24	202-801	Rubber Butt (standard)	1
	202-801SP	Rubber Butt w/Hole (optional)	
** 25	130SR-85	Butt Screw (optional)	1
26	130SR-302-IC	Valve Throttle Bare	1
27	130SR-156	Washer Throttle Face	1
28	130SR-159	Face Throttle Valve	1
29	R38-157	Cap Throttle Valve Face	1
30	AVC11-158	Nut Throttle Valve Face Cap	1

* Customer may receive MP-130 with either 1/4" (**130SR-188**) or 1/8" (**GA-3661**) Grease Fitting.



Rubber Rammer Butts

Made of the finest neoprene to ensure uniformity of bonding. Highly resistant to oil and wear. Please specify tool model number and size of butt when ordering. Solid aluminum, steel and rectangular butts available.



201
1-3/4" Dia.

Part No.	Taper
201-801	801



202
2-3/8" Dia.

Part No.	Taper
202-801	801



203
3-1/4" Dia.

Part No.	Taper
203-801	801



204
4" Dia.

Part No.	Taper
204-801	801



205
5" Dia.

Part No.	Taper
205-801	801

801 Taper
MP-130
IR 130, 140, 150
CP 4710, 4711

Butt Retaining Screws

Designed to retain 801, 802 and 803 series butts to the piston.



130SR-85



TX-00203

Butt Screw Part No.	Thread	Tool Model
130SR-85	5/16"-18	MP-130
TX-00203	3/8"-24	MP-OB, MP-BD1BA, MP-BD2BA, MP-241

Steel Rammer Butts



150-801
1-1/2" Steel
801 Taper



200-801-BS
2" Steel
801 Taper
Screw-Type



250-801-BS
2-1/2" Steel
801 Taper
Screw-Type



10SR-93
3/4" x 2" Steel
801 Taper

Part No.	Taper
150-801	801
200-801-BS	801
250-801-BS	801
10SR-93	801

Aluminum with Rubber Tip Butts



2010
2-3/8" Aluminum
with Rubber Tip

Part No.	Taper
2010-801	801



3525
3/4" x 2-3/8"
Aluminum with
Rubber Tip

Part No.	Taper
3525-801	801

Specialty Rammer Butts with Screw Holes

Primarily used on MP-OB, BD2BA and BD1BA Series rammers with butt retainer screw. MPT is the only company that machines our piston to accommodate retainer bolt screws.

Rubber



201
1-3/4" Dia.

Part No.	Taper
201-801SP	801

Note: All of the above butts are drilled to accept TX-00203 butt retainer screw.