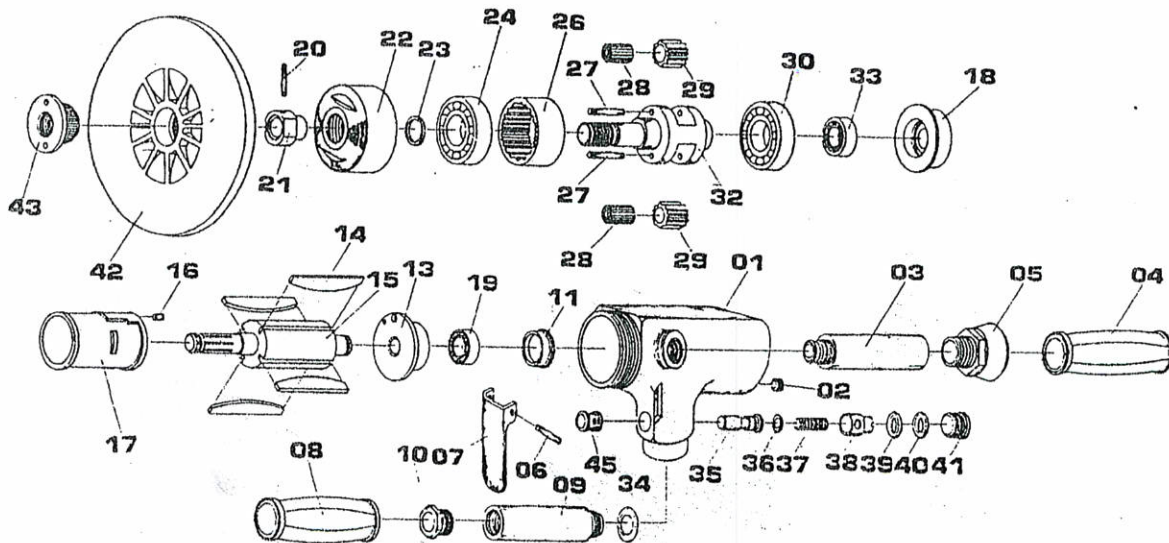




MICHIGAN PNEUMATIC TOOL, INC.

10650 CLOVERDALE
DETROIT MICHIGAN 48204-1184
PHONE: 313-933-5890
FAX: 313-933-0440

MODEL NO.: MP-1265-ST
7" VERTICAL POLISHER



Specification

Spindle Size	5/8-11 UNC	Air Inlet	1/4" NPT
Speed	2,300 RPM	Hose Size	3/8" ID
Recomm. Air Pressure	90 PSI	Length	7-1/2"
Av. Air Consumption	6 CFM	Weight	4.4 LBS

Parts List

NO.	Parts No.	Name of Parts	Qty
01	VP-70001	Motor Housing	1
02	VP-70002	Set Screw	2
03	VP-70003	Exhaust Handle	1
04	VP-70C04	Handle Grip (Exhaust)	1
05	VP-70005	Exhaust Deflector	1
06	SP-25220	Spring Pin	1
07	AR-38005	Throttle Lever	1
08	VP-70C08	Handle Grip (Inlet)	1
09	VP-70009	Inlet Handle	1
10	AR-38001	Air Inlet Bushing	1
11	VP-70011	Bearing Cap	1
13	VP-70013	Rear End Plate	1
14	VP-70014	Rotor Blade	4
15	VP-70015	Rotor	1
16	SP-30060	Spring Pin	1
17	VP-70017	Cylinder	1
18	VP-70018	Front End Plate	1
19	BB-06082	Ball Bearing	1
20	SP-30220	Spring Pin	1
21	VP-70021	Collar	1
22	VP-70022	Clamp Nut	1
23	VP-70023	Oil Seal (V-Model)	1
24	BB-62040	Ball Bearing	1
26	VP-70026	Internal Gear	1

NO.	Parts No.	Name of Parts	Qty
27	NR-40230	Needle Roller	2
28	NR-15138	Needle Roller	22
29	VP-70029	Planet Gear	2
30	BB-60050	Ball Bearing	1
32	VP-70032	Planet Cage	1
33	BB-60002	Ball Bearing	1
34	ORP-0180	O-Ring	1
35	VP-70035	Valve Stem	1
36	DG-40058	O-Ring	1
37	VP-70037	Valve Spring	1
38	VP-70038	Air Regulator	1
39	ORP-0080	O-Ring	1
40	ORP-0110	O-Ring	1
41	VP-70C41	Valve Screw	1
42	VP-70042	Pad	1
43	VP-70043	Pad Nut	1
45	VP-70045	Bushing	1
47	VP-70047	Wrench	1
48	AG-70057	Wrench	1
K01	** VP-70K01	Motor Housing Kit (1,2,45)	1set
K02	** VP-70K02	O-Ring Kit (36,39,40)	1set
K03	** VP-70K03	Planet Gear Kit (23,29,27)	1set
K04	** VP-70K04	Cylinder Kit (16,17)	1set



MICHIGAN PNEUMATIC TOOL, INC.