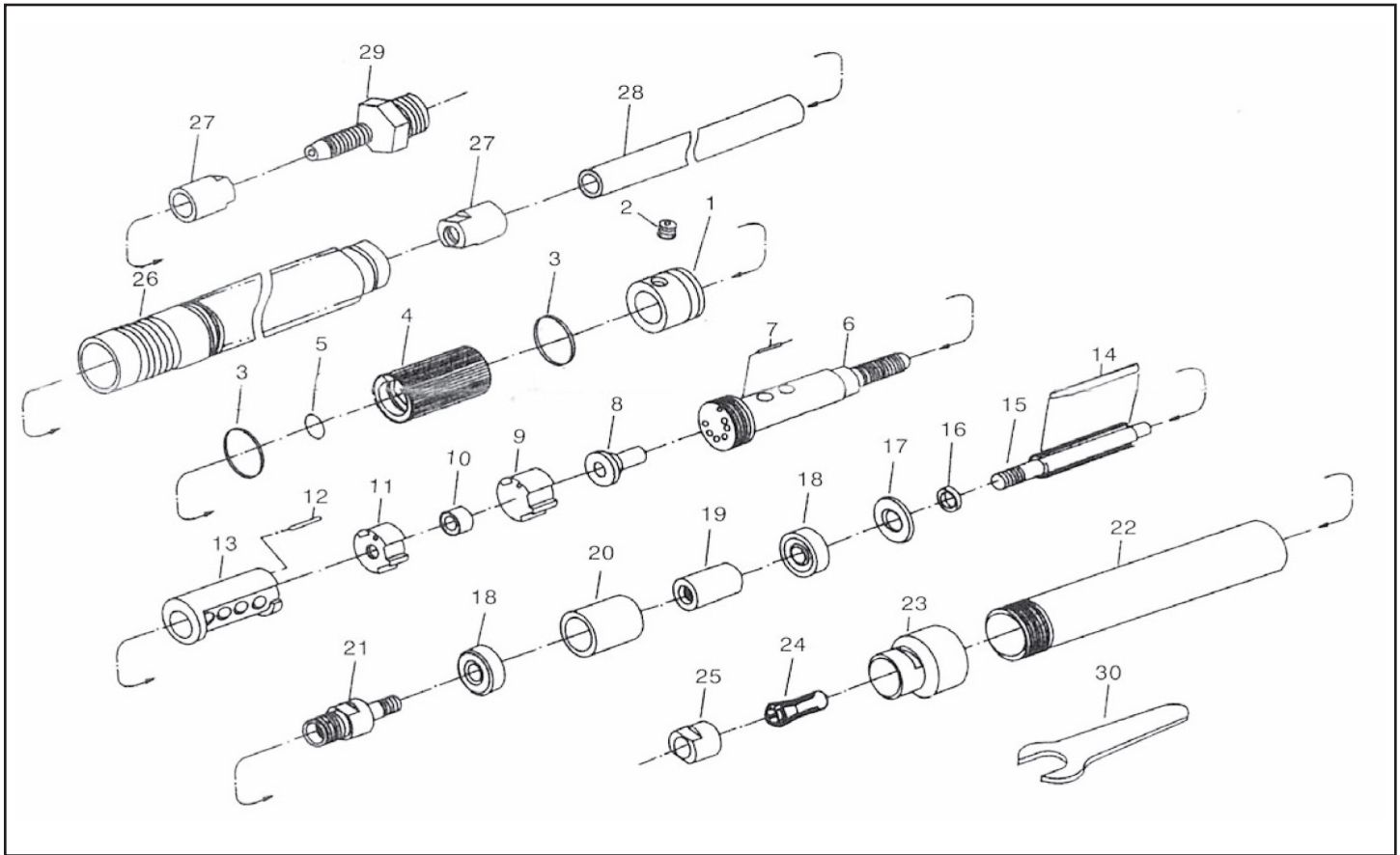




MICHIGAN PNEUMATIC TOOL, INC.

MP-1260-C8 Micro Pencil Die Grinder



Index	Part No.	Description	Qty.
1	1260-01	Rear End Holder	1
2	1260-02	Screw	1
3	1260-03	O-Ring	2
4	1260-04	Sliding Knob	1
5	1260-05	O-Ring	1
6	1260-06	Hose Plug	1
7	1260-07	Pin	1
8	1260-08	Plug	1
9	1260-09	Intake Plate	1
10	1260-10	Ball Bearing	1
11	1260-11	Bearing Plate	1
12	1260-12	Pin	1
13	1260-13	Cylinder	1
14	1260-14	Rotor Blade	3
15	1260-15	Rotor	1

Index	Part No.	Description	Qty.
16	1260-16	Spacer	1
17	1260-17	Lateral Disk	1
18	1260-18	Ball Bearing	1
19	1260-19	Bushing	1
20	1260-20	Bushing	1
21	1260-21	Collet Foundation	1
22	1260-22	Sleeve	1
23	1260-23	Front Cover	1
24	1260-24	Collet	1
25	1260-25	Clamping Nut	1
26	1260-26	Muffler Tube	1
27	1260-27	Hose Ring	1
28	1260-28	Air Hose	1
29	1260-29	Inlet Connector	1
30	1260-30	Spanner	2