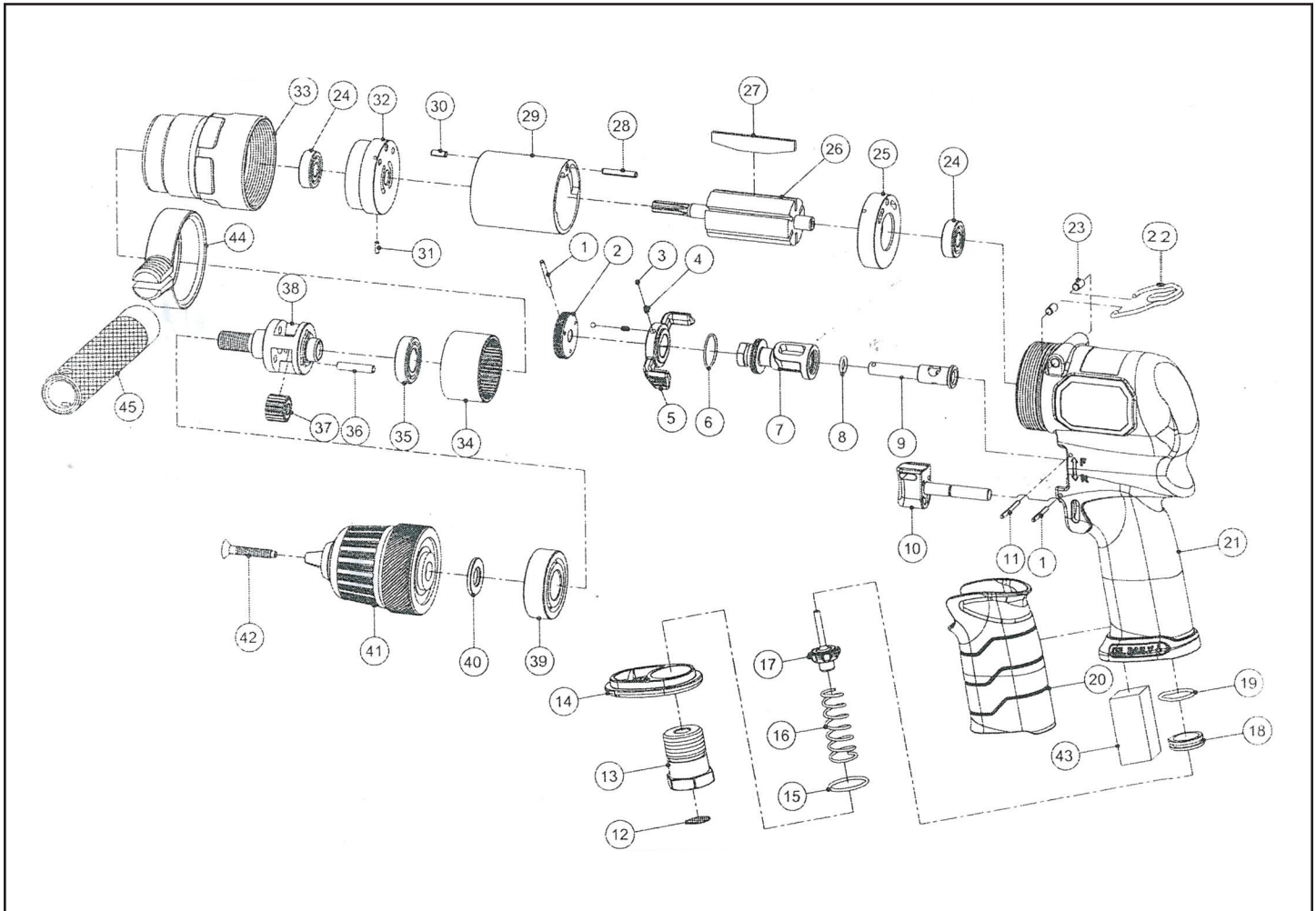




MICHIGAN PNEUMATIC TOOL, INC.

MP-1231FB-GP Reversible Drill



Index	Part No.	Description	Qty.
1	MP-1231FB-GP-1	Spring Pin Ø2*20	2
2	MP-1231FB-GP-2	Regulator Valve Knob	1
3	MP-1231FB-GP-3	Steel Ball Ø2.5	2
4	MP-1231FB-GP-4	Gear Spring	2
5	MP-1231FB-GP-5	Butterfly Rod	1
6	MP-1231FB-GP-6	O-Ring Ø16*1	1
7	MP-1231FB-GP-7	Reverse Valve	1
8	MP-1231FB-GP-8	O-Ring Ø6*1.5	1
9	MP-1231FB-GP-9	Regulator Valve	1
10	MP-1231FB-GP-10	Trigger	1
11	MP-1231FB-GP-11	Spring Pin Ø2*24	1
12	MP-1231FB-GP-12	Filter Net 1/4"	1
13	MP-1231FB-GP-13	Air Inlet	1
14	MP-1231FB-GP-14	Exhaust Cover	1
15	MP-1231FB-GP-15	O-Ring Ø18*1.5	1
16	MP-1231FB-GP-16	Throttle Spring	1
17	MP-1231FB-GP-17	Throttle Valve Assembly	1
18	MP-1231FB-GP-18	Valve Nut Gasket	1
19	MP-1231FB-GP-19	O-Ring Ø14*1.5	1
20	MP-1231FB-GP-20	Rubber Protector	1
21	MP-1231FB-GP-21	Housing	1
22	MP-1231FB-GP-22	Hook Ring	1
23	MP-1231FB-GP-23	Spring Pin Ø4*8	2

Index	Part No.	Description	Qty.
24	MP-1231FB-GP-24	Ball Bearing 607ZZ C3	2
25	MP-1231FB-GP-25	Rear End Plate	1
26	MP-1231FB-GP-26	Rotor	1
27	MP-1231FB-GP-27	Rotor Blade	6
28	MP-1231FB-GP-28	Spring Pin Ø3*18	1
29	MP-1231FB-GP-29	Cylinder	1
30	MP-1231FB-GP-30	Spring Ø3*8	1
31	MP-1231FB-GP-31	Spring Ø2*6	1
32	MP-1231FB-GP-32	Front End Plate	1
33	MP-1231FB-GP-33	Hammer Case	1
34	MP-1231FB-GP-34	Internal Gear	1
35	MP-1231FB-GP-35	Ball Bearing 6901ZZ C3	1
36	MP-1231FB-GP-36	Gear Shaft	3
37	MP-1231FB-GP-37	Planet Gear Assembly	3
38	MP-1231FB-GP-38	Gear Carrier	1
39	MP-1231FB-GP-39	Ball Bearing 6202ZZ C3	1
40	MP-1231FB-GP-40	Flat Washer	1
41	MP-1231FB-GP-41	Chuck	1
42	MP-1231FB-GP-42	Sunk Screw #10-32UNF*1"	1
43	MP-1231FB-GP-43	Muffler	1
44	MP-1231FB-GP-44	Handle Hoop (Optional)	1
45	MP-1231FB-GP-45	Handle (Optional)	1