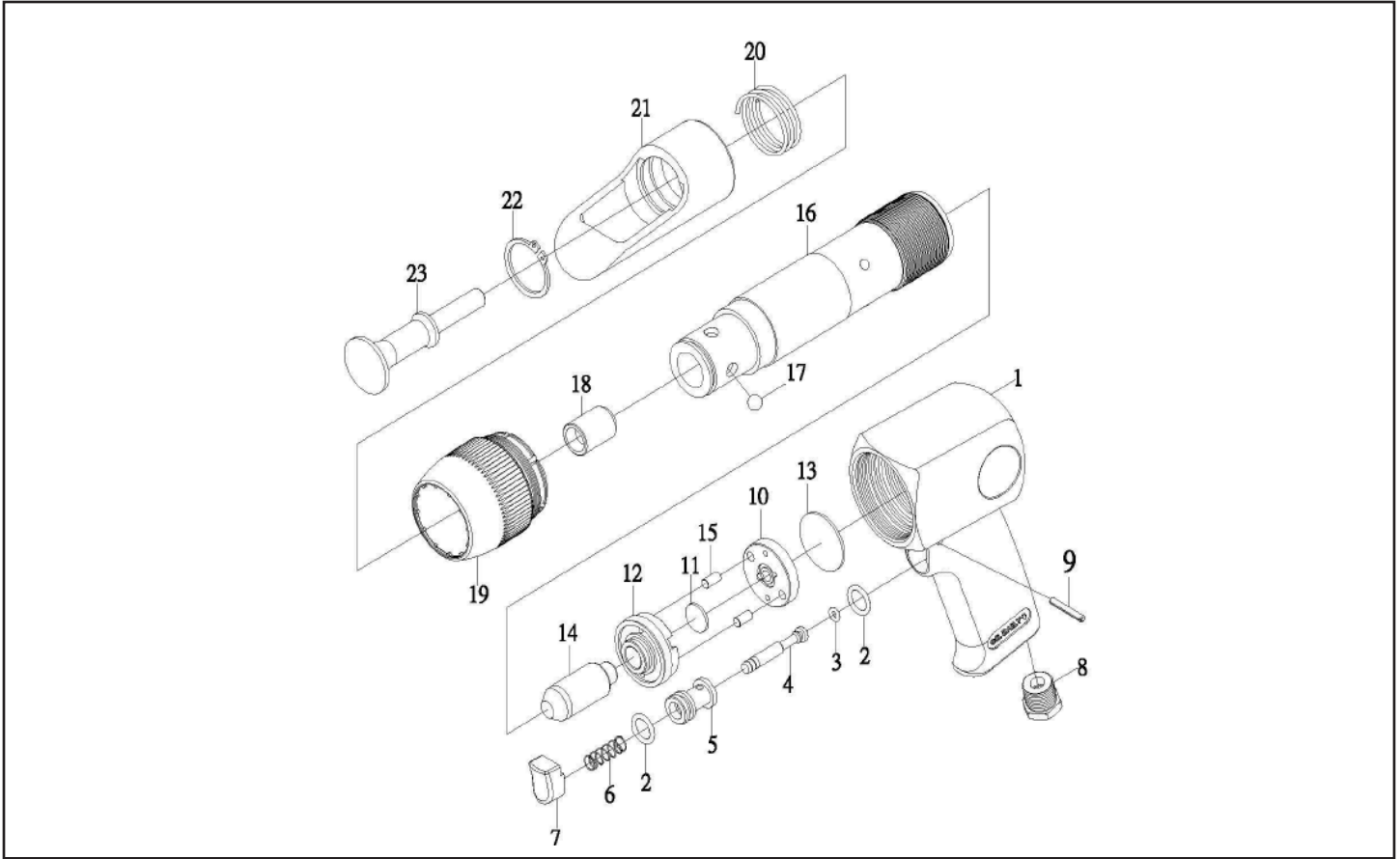




**MICHIGAN PNEUMATIC TOOL, INC.**

# MP-1224XR-PIT Pittsburgh Hammer



Index	Part No.	Description	Qty.
1	1224XR-PIT-01	Handle	1
2	1224XR-PIT-02	O-Ring	2
3	1224XR-PIT-03	O-Ring	1
4	1224XR-PIT-04	Throttle Valve	1
5	1224XR-PIT-05	Bushing Valve	1
6	1224XR-PIT-06	Spring Valve	1
7	1224XR-PIT-07	Button Throttle	1
8	1224XR-PIT-08	Air Inlet Bushing	1
9	1224XR-PIT-09	Spring Pin	1
10	1224XR-PIT-10	Lid Valve	1
11	1224XR-PIT-11	Disc Valve	1
12	1224XR-PIT-12	Case Valve	1

Index	Part No.	Description	Qty.
13	1224XR-PIT-13	Alignment Shim	1
14	1224XR-PIT-14	Piston	1
15	1224XR-PIT-15	Valve Block Dowel Pin	2
16	1224XR-PIT-16	Cylinder	1
17	1224XR-PIT-17	Ball Steel (5/16")	4
18	1224XR-PIT-18	Bushing Cylinder Round (10.2mm)	1
19	1224XR-PIT-19	Exhaust Cover	1
20	1224XR-PIT-20	Spring Compression	1
21	1224XR-PIT-21	Guide	1
22	1224XR-PIT-22	Snap Ring	1
23	1224XR-PIT-23	Anvil	1