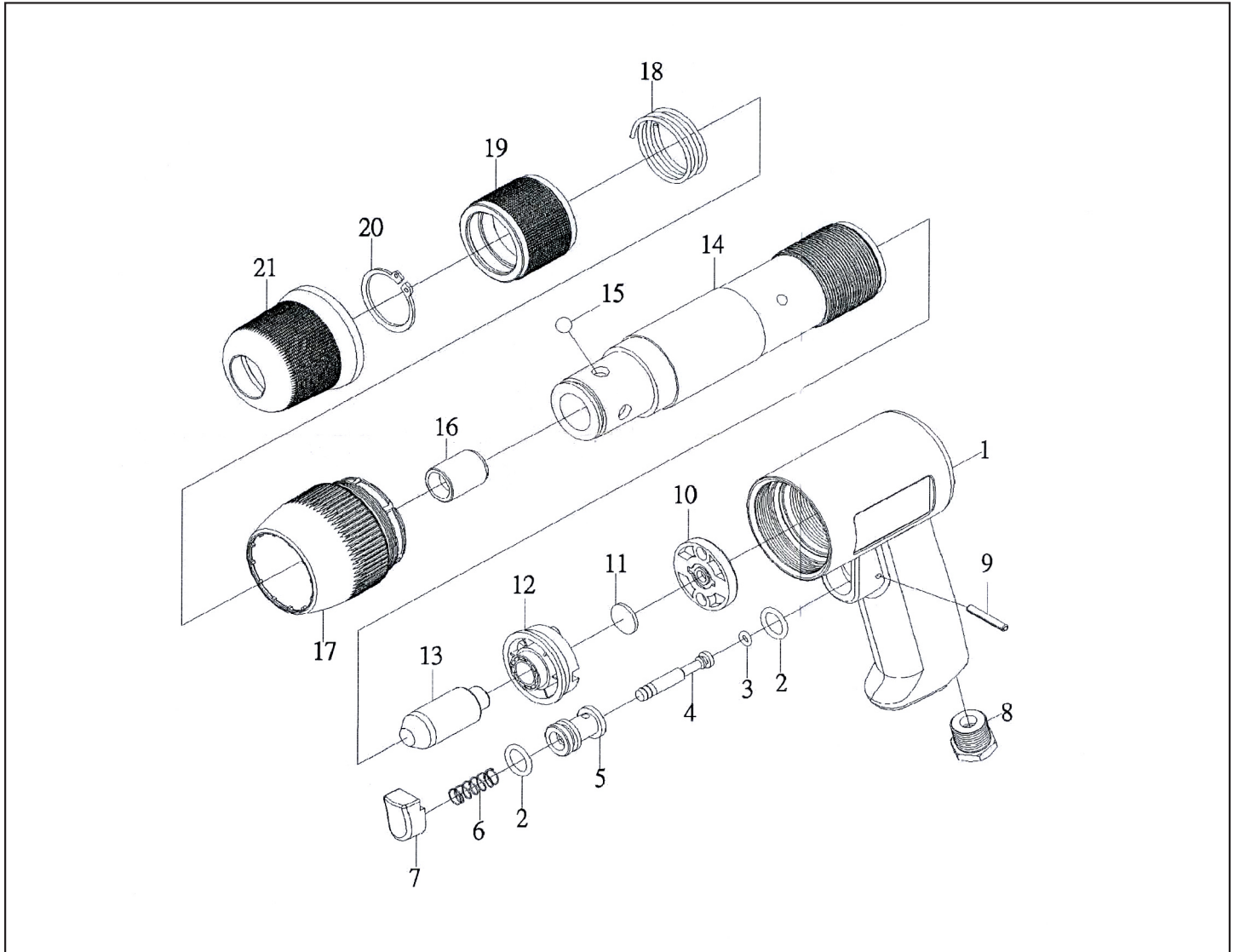




MICHIGAN PNEUMATIC TOOL, INC.

MP-1224XR-GP .401 Shank Utility Air Hammer



Index	Part No.	Description	Qty.
1	AH122QC001	Handle	1
2	AH122QC002	O-Ring (d11.8xW2.4)(P12)	1
3	AH122QC003	O-Ring (d3.8xW1.9)(P3)	1
4	AH122QC004	Throttle Valve	1
5	AH122QC005	Bushing Valve	1
6	AH122QC006	Spring Valve	1
7	AH122QC007	Button Throttle	1
8	AH122QC008	Air Inlet Bushing	1
9	AH122QC009	Spring Pin (Ø3x20L)	1
10	AH122QC010	Lid Valve	1
11	AH122QC011	Disk Valve	1
12	AH122QC012	Case Valve	1
13	AH122QC013	Piston	1

Index	Part No.	Description	Qty.
14	AH122QC014	Cylinder	1
15	AH122QC015	Ball (5/16")	1
16	AH122QC016A	Bushing-Cylinder Round (10.1mm)	1
	AH122QC016B	Bushing-Cylinder Hex (10mm)	1
	AH122QC016C	Bushing-Cylinder Hex (11mm)	1
17	AH122QC017	Exhaust Cover	1
18	AH122QC018	Spring	1
19	AH122QC019	Sleeve	1
20	AH122QC020	Snap Ring	1
21	AH122QC021	Rubber Sleeve	1
	AH121QCOSK	Service Kit Ref. No. - 2, 3, 6, 18	