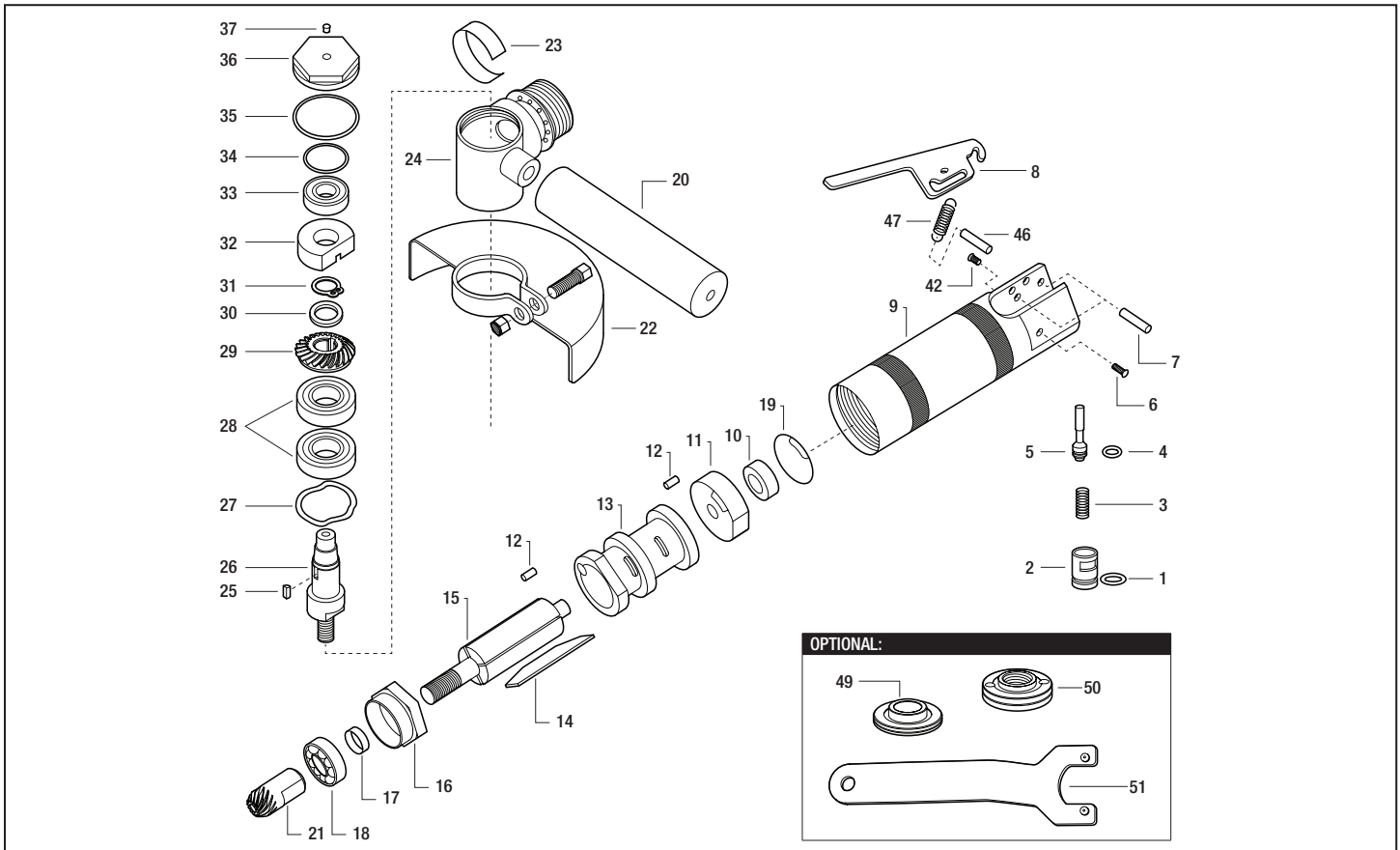




MICHIGAN PNEUMATIC TOOL, INC.

MP-11650 5" Angle Grinder (Steel Housing)

MP-11650A 5" Angle Grinder (Aluminum Housing)



Index	Part No.	Description	Qty.
1	G-3001	O-Ring	1
2	G-3319	Regulator Cap	1
3	G-3181	Throttle Valve Spring	1
4	G-3083	O-Ring	1
5	G-3179	Throttle Valve	1
6	G-3193	Set Screw	1
7	G-3660	Throttle Lever Pin	2
8	G-3087	Throttle Lever	1
9	G-3316	Steel Housing Motor	1
	G-3316A	Aluminum Housing Motor	1
10	G-3412	Ball Bearing	1
11	G-3182	Rear End Plate	1
12	G-3791	Liner Pin	2
13	G-3183	Liner	1
14	G-3191	Rotor Blade	4
15	G-3184	Rotor	1
16	G-3185	Front End Plate	1
17	G-3192	Bearings Spacer	1
18	G-3326	Ball Bearing	1
19	GA-11926	Motor Housing Shim	1
20	GA-11393	Dead Handle	1
21	GA-11789	Pinion	1
22	GA-11208	Wheel Guard 5"	1

Index	Part No.	Description	Qty.
23	GA-3190	Exhaust Deflector	1
24	GA-11898	Angle Housing	1
25	GA-11086	Key	1
26	GA-11858	Spindle 5/8"-11	1
27	GA-11925	Wave Spring	1
28	GA-11892	Lower Spindle Bearing	2
29	GA-11790	Gear	1
30	GA-11829	Retainer Ring	1
31	GA-11894	Snap Ring	1
32	GA-11831	Lubricating Wick	1
33	GA-11810	Upper Spindle Bearing	1
34	GA-11897	Upper Bearing Shim	1
35	GA-11499	Bearing Cap Shim	1
36	GA-11896	Bearing Cap	1
37	GA-3661	Lubricating Fitting	1
42	G-3193	Locking Set Screw	1
46	G-3726	Roll Pin	1
47	G-3098	Lever Spring	1
48	G-3653	Open End Wrench	1
OPTIONAL:			
49	SM-619538B	Nut	1
50	SM-619540B	Nut	1
51	SM-619554	Wrench	1